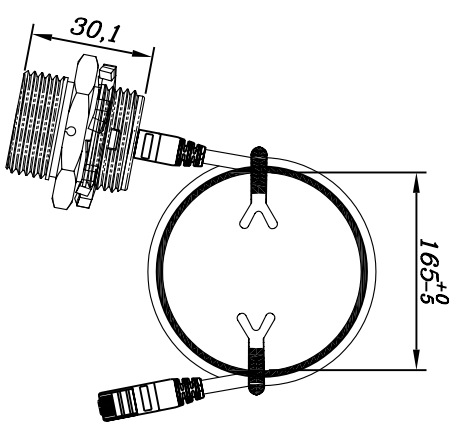
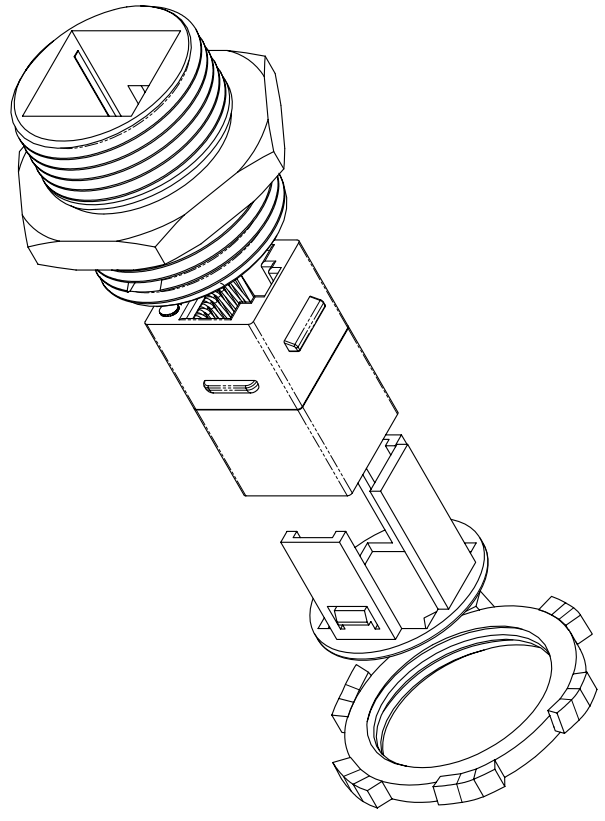
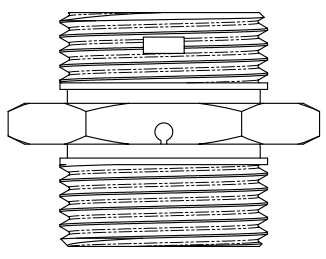
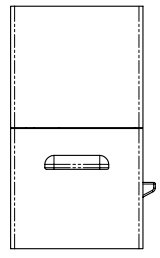
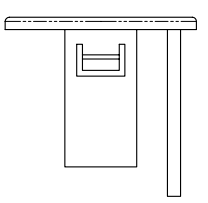
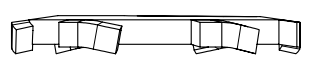
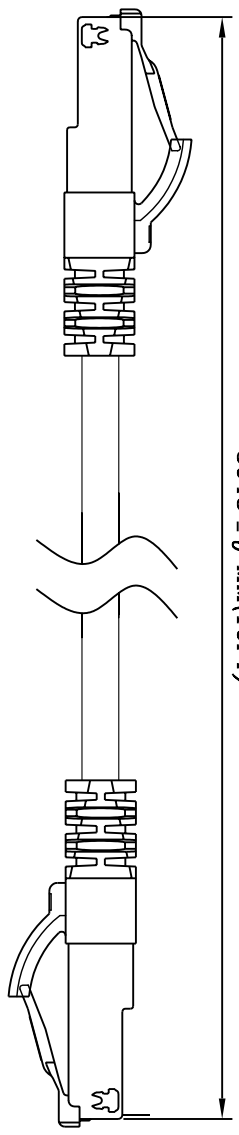


REVISIONS				
ZONE	REV	DESCRIPTION	DATE	APPROVED
	1			
	2			
	3			
	4			
	5			



3048 +20 MM(10FT)



1

2

3

4

5

ITEM	Name	Description	Color	Q'TY
1	Patch Code	10 FT	standard	1
2	Lock Nut	galvanized		1
3	Cover	Aramid Fiber 15% PBT	Black	1
4	Coupler	2100 GF	Black	1
5	Screw Body	Aramid Fiber 15% PBT	Black	1

COMMON TOLERANCE			SHEET	OF	ALL COPY RIGHTS RESERVED	
CLASS	A	B	SIZE	A4	DCE DAN-CHIEF ENTERPRISE CO., LTD.	
DIMENSION			DIA	mm	TITLE	
L <= 3	±0.05	±0.1	SCALE	1:1	WP-8S-C6	
3 < L <= 6	±0.05	±0.1	DATE	SEP.30.2005	DRAWING NO.	
6 < L <= 16	±0.1	±0.15	DESIGN		DRAWN	
16 < L <= 30	±0.1	±0.2	CHECKED			
30 < L <= 120	±0.15	±0.3				
120 < L <= 315	±0.2	±0.5				