

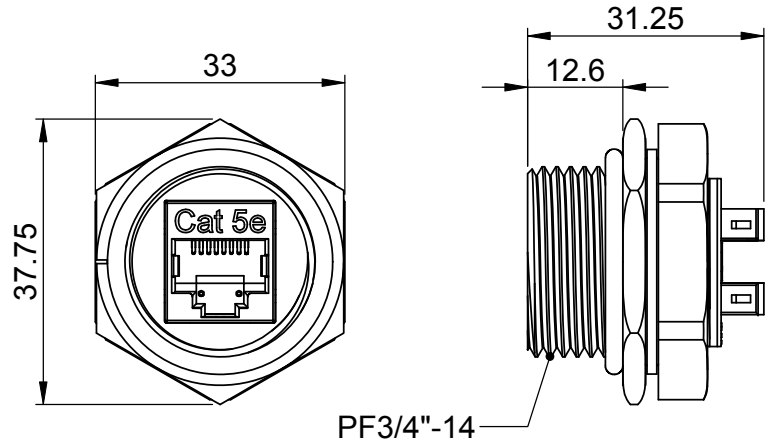
1 2 3 4 5 6

A

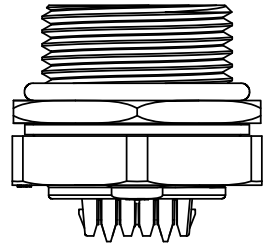
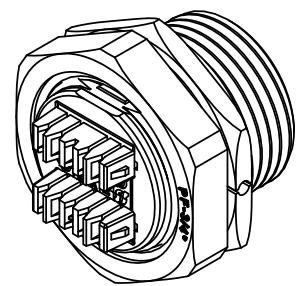
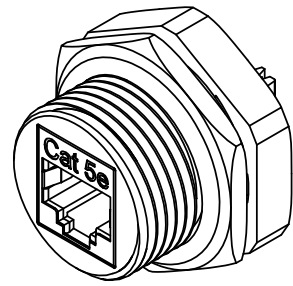
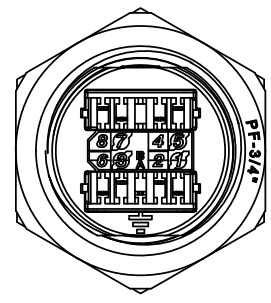
B

C

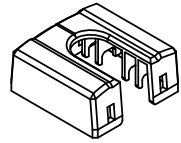
D



量產圖



ENCLOSURE
IDC CAP X 1 PC



IP67

ACCORDING TO IEC 60529:2001-02
DEGREES OF PROTECTION PROVIDED BY ENCLOSURES
6: DUST-TIGHT

7: PROTECTED FROM IMMERSION IN WATER FOR 30 MINUTES AT A DEPTH OF 1 METER.

MATERIAL

SHIELDED CASE : COPPER C2680, T=0.25MM, 30U" NICKEL PLATED
 MAIN BODY : PBT HIGH-IMPACT UL94V-0 THERMOPLASTIC, 30% GLASS FIBER FILLED
 KEYSTONE JACK HOUSING : POLYCARBONATE RESIN HIGH-IMPACT UL94V-0 THERMOPLASTIC
 SPRING WIRE : PHOSPHOR BRONZE 5100W TEMPER WIRE, Φ=0.45MM, 50U" GOLD OVER 100U" NICKEL UNDERCOAT
 IDC PLASTIC : POLYCARBONATE RESIN HIGH-IMPACT UL94V-0 THERMOPLASTIC
 IDC CONTACT : PHOSPHOR BRONZE C5191R-H, T=0.4MM, 80U" NICKEL PLATED
 GROUND CONTACT : PHOSPHOR BRONZE C5191R-H, T=0.4MM, 200U" TIN OVER 50U" NICKEL UNDERCOAT

PHYSICAL CHARACTERISTICS

INSERTION LIFE : 750 MATING CYCLES WITH FCC COMPLIANT RJ-45 PLUG
 CONTACT FORCE : 100 GRAMS WITH FCC COMPLIANT RJ-45 PLUG
 PLUG RETENTION FORCE : 11 LBF MIN.
 DURABILITY : 200 TERMINATION CYCLES
 CONTACT COMPATIBILITY : ACCOMMODATES 22 TO 26 AWG SOLID / 24 AWG STRANDED
 OPERATING TEMPERATURE RANGE : -10°C TO 60°C
 STORAGE TEMPERATURE RANGE : -40°C TO 68°C
 HUMIDITY : 10%~90%RH

ELECTRICAL

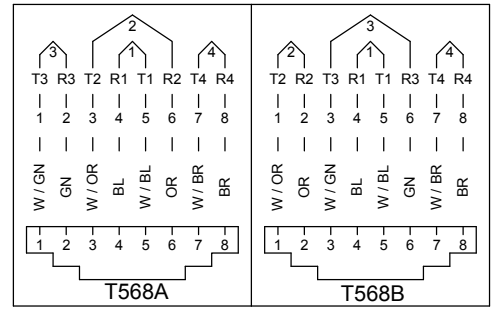
INSULATION RESISTANCE : 500 MΩ
 DIELECTRIC WITHSTANDING VOLTAGE : 1000 V
 DC CURRENT RATING : 1.5 Amps
 DC RESISTANCE : 0.1Ω
 CONTACT RESISTANCE : 20mΩ

Cat 5e

56Y4
E145249



COMMUNICATION
CIRCUIT ACCESSORIES



Scale	1:1
3rd Angle Projection	
Unit	mm
Date	2009/9/14
Tolerance	
~20	~50
~150	150~
±0.2	±0.4
±0.5	±1.5
ANGLE	±2°

All Copy Rights Reserved	
	DAN-CHIEF ENTERPRISE CO., LTD.
Title	
WP-H8S-C5eABL-XX	
Drawn by	Checked by
Allen Li	

1 2 3