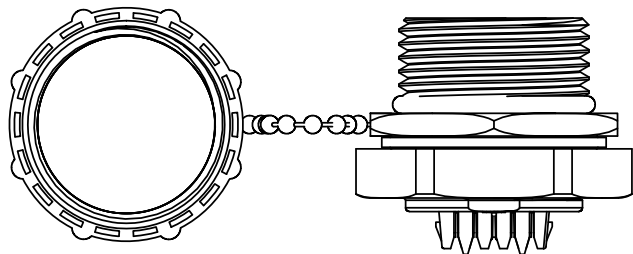
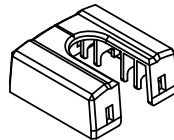


量產圖



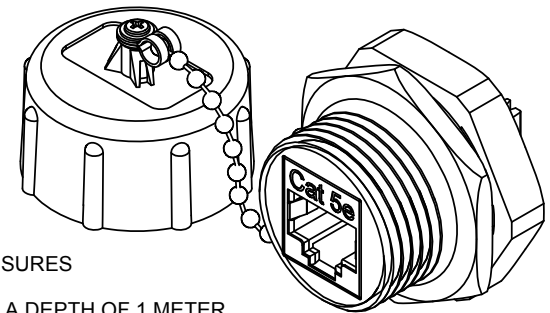
ENCLOSURE

IDC CAP X 1 PC



IP67

ACCORDING TO IEC 60529:2001-02
DEGREES OF PROTECTION PROVIDED BY ENCLOSURES
6: DUST-TIGHT
7: PROTECTED FROM IMMERSION IN WATER FOR 30 MINUTES AT A DEPTH OF 1 METER.



MATERIAL

SHIELDED CASE : COPPER C2680, T=0.25MM, 30U" NICKEL PLATED
 MAIN BODY : PBT HIGH-IMPACT UL94V-0 THERMOPLASTIC, 30% GLASS FIBER FILLED
 KEYSTONE JACK HOUSING : POLYCARBONATE RESIN HIGH-IMPACT UL94V-0 THERMOPLASTIC
 SPRING WIRE : PHOSPHOR BRONZE 5100W TEMPER WIRE, Φ=0.45MM, 50U" GOLD OVER 100U" NICKEL UNDERCOAT
 IDC PLASTIC : POLYCARBONATE RESIN HIGH-IMPACT UL94V-0 THERMOPLASTIC
 IDC CONTACT : PHOSPHOR BRONZE C5191R-H, T=0.4MM, 80U" NICKEL PLATED
 GROUND CONTACT : PHOSPHOR BRONZE C5191R-H, T=0.4MM, 200U" TIN OVER 50U" NICKEL UNDERCOAT

PHYSICAL CHARACTERISTICS

INSERTION LIFE : 750 MATING CYCLES WITH FCC COMPLIANT RJ-45 PLUG
 CONTACT FORCE : 100 GRAMS WITH FCC COMPLIANT RJ-45 PLUG
 PLUG RETENTION FORCE : 11 LBF MIN.
 DURABILITY : 200 TERMINATION CYCLES
 CONTACT COMPATIBILITY : ACCOMMODATES 22 TO 26 AWG SOLID / 24 AWG STRANDED
 OPERATING TEMPERATURE RANGE : -10°C TO 60 °C
 STORAGE TEMPERATURE RANGE : -40°C TO 68 °C
 HUMIDITY : 10%~90%RH

ELECTRICAL

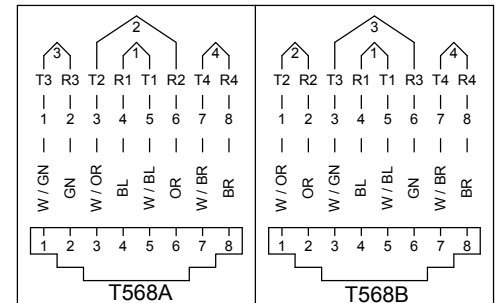
INSULATION RESISTANCE : 500 MΩ
 DIELECTRIC WITHSTANDING VOLTAGE : 1000 V
 DC CURRENT RATING : 1.5 Amps
 DC RESISTANCE : 0.1Ω
 CONTACT RESISTANCE : 20mΩ

Cat 5e

56Y4
E145249



COMMUNICATION
CIRCUIT ACCESSORIES



Scale	1:1	All Copy Rights Reserved	
3rd Angle Projection		DAN-CHIEF ENTERPRISE CO., LTD.	
Unit	mm	Title	
Date	2009/9/15	WP-H8DS-C5eABL-XX	
Tolerance		Drawn by	Checked by
~20	~50	Allen Li	
±0.2	±0.4		
~150	150~		
±0.5	±1.5		
ANGLE	±2°		