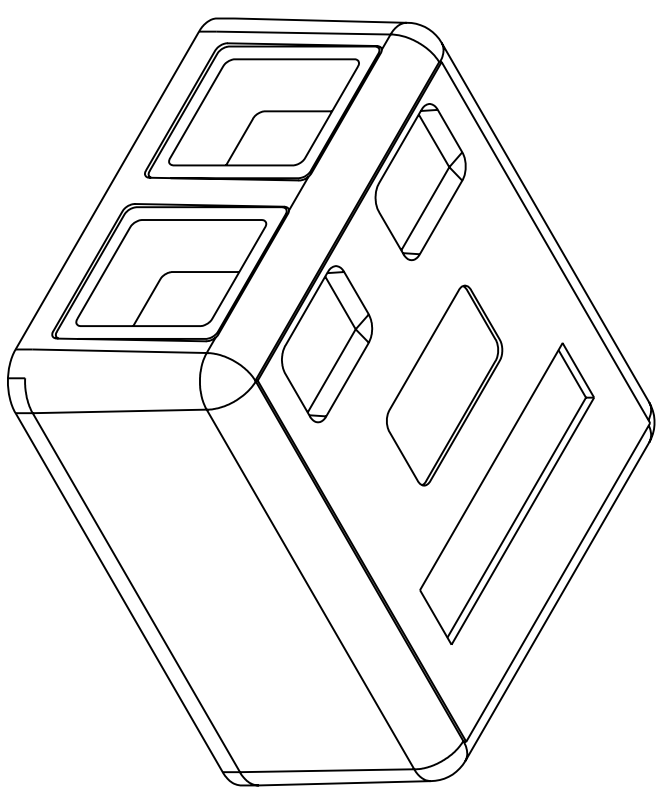
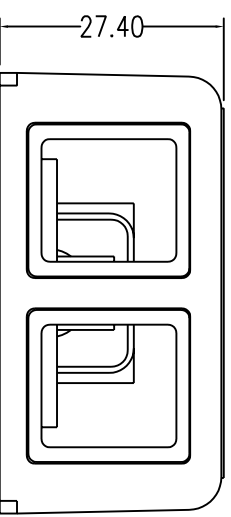
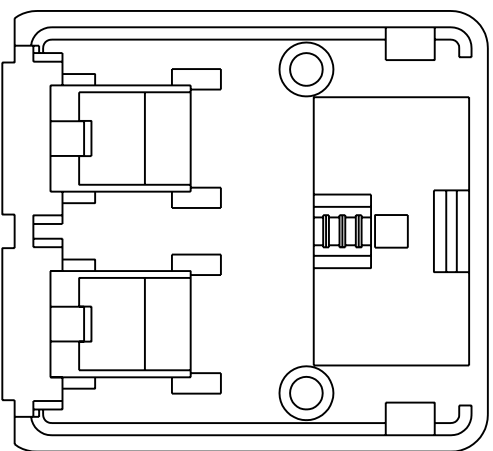
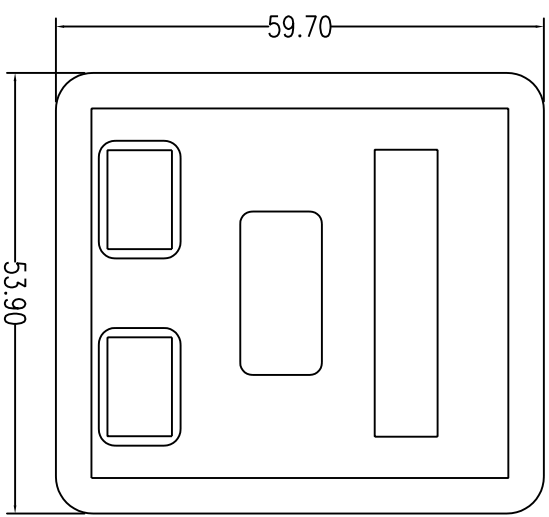


REVISIONS				
ZONE	REV	DESCRIPTION	DATE	APPROVED



MATERIALS: ABS UL94V-0
COLOR: WHITE
OPTIONS: IVORY.....
ENCLOSURE: K5 6 X 20mm SCREW X 2
 NYLON CABLE TIE X 1
 DOUBLE STICKER X 1(48 X 32mm)

COMMON TOLERANCE			SHEET 1 OF 1		ALL COPY RIGHTS RESERVED	
CLASS	A	B	SIZE	A4	DCE DAN-CHEF ENTERPRISE CO.,LTD.	
DIMENSION			DIA	mm	TITLE	
L<=3	±0.05	±0.1	SCALE		SMB-2-XX-X	
3<L<=6	±0.05	±0.1	DATE	DEC.17.99	DRAWING NO. AS-003	
6<L<=16	±0.1	±0.15	DESIGN		DRAWN	
16<L<=30	±0.1	±0.2			CHECKED	
30<L<=120	±0.15	±0.3				
120<L<=315	±0.2	±0.5				