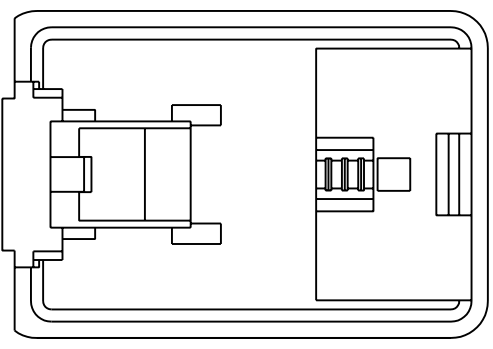
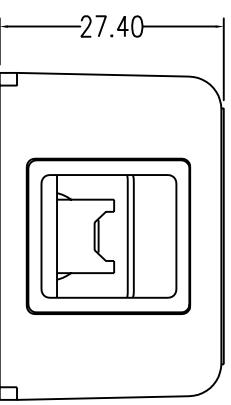
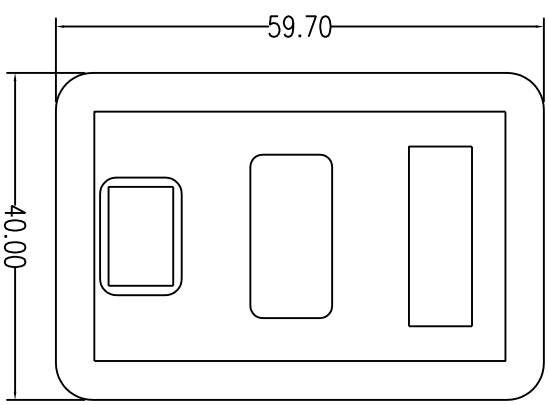
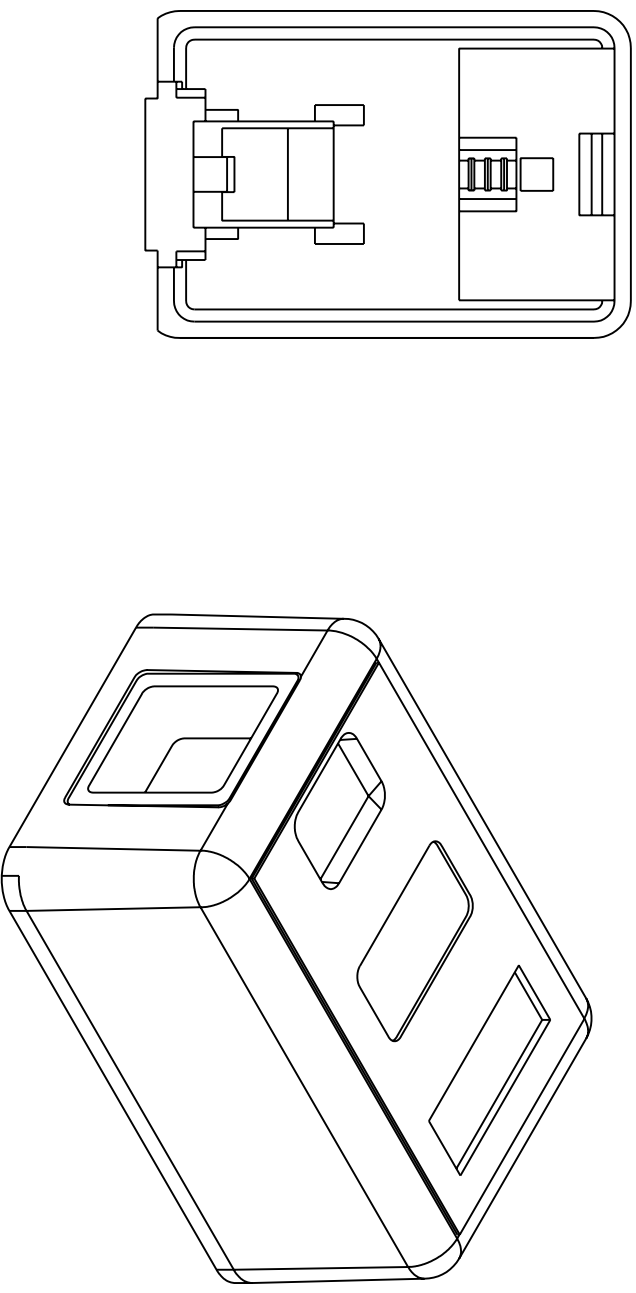


REVISIONS				
ZONE	REV	DESCRIPTION	DATE	APPROVED



MATERIALS: ABS UL94V-0


COLOR: WHITE

OPTIONS: IVORY.....

ENCLOSURE: K5 6 X 20mm SCREW X 2

NYLON CABLE TIE X 1

DOUBLE STICKER X 1(48 X 32mm)

COMMON TOLERANCE		SHEET 1 OF 1		ALL COPY RIGHTS RESERVED	
CLASS	A	B	SIZE	A4	 DAN-CHIEF ENTERPRISE CO.,LTD.
DIMENSION	±0.06/±0.1	±0.1	DIA	mm	
L<=3	±0.06/±0.1	±0.1	SCALE		TITLE SMB-1-XX-X
3<L<=6	±0.06/±0.1	±0.1	DATE	DEC.17.99	
6<L<=16	±0.1/±0.15	±0.15	DRAWING NO.	AS-001-1	
16<L<=30	±0.1/±0.2	±0.2	DESIGN		
30<L<=120	±0.15/±0.3	±0.3	DRAWN		CHECKED
120<L<=315	±0.2/±0.5	±0.5			