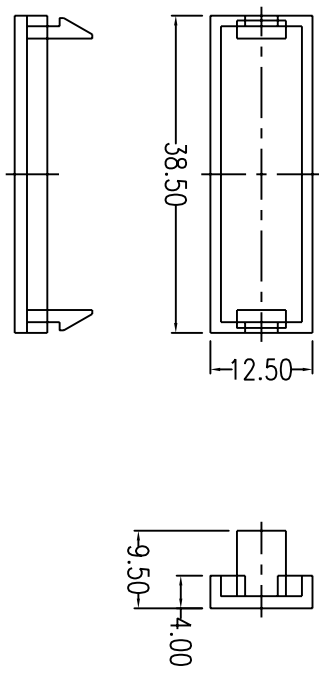



REVISIONS				
ZONE	REV	DESCRIPTION	DATE	APPROVED
	1			
	2			
	3			



MATERIALS: ABS UL94V-0
 COLOR: WHITE,IVORY.....

COMMON TOLERANCE		SHEET	OF	ALL COPY RIGHTS RESERVED	
CLASS	A	SIZE	A4	 DAN-CHIEF ENTERPRISE CO.,LTD. TITLE SIP-37NH-W4-F	
DIMENSION	B	DIA	mm		
L <= 3	±0.05	SCALE	1:1	DRAWING NO.	S-056-1
3 < L <= 6	±0.05	DATE	2003.11.26	DRAWN	
6 < L <= 16	±0.1	DESIGN		CHECKED	
16 < L <= 30	±0.15				
30 < L <= 120	±0.15				
120 < L <= 315	±0.2				