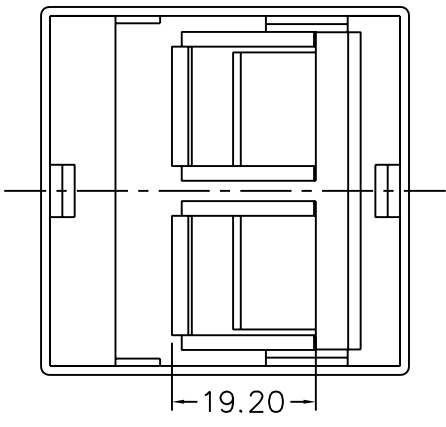
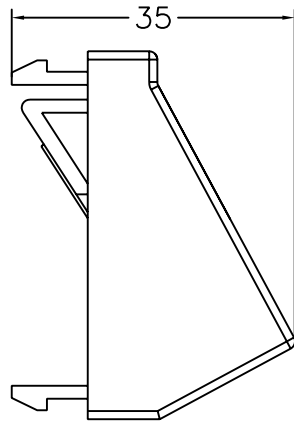
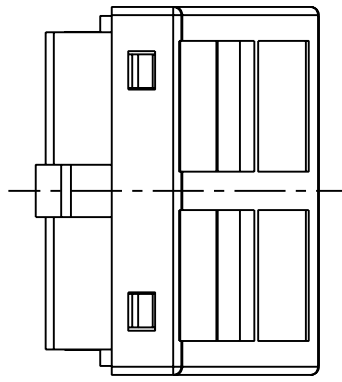
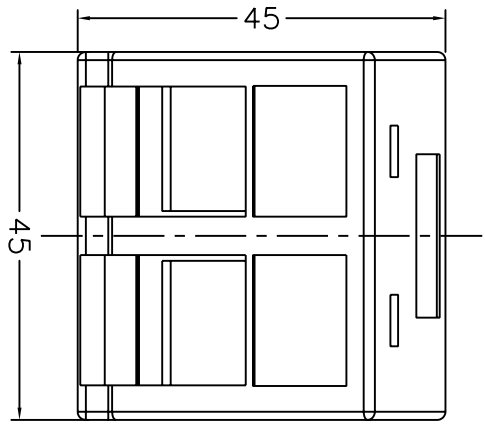


REVISIONS				
ZONE	REV	DESCRIPTION	DATE	APPROVED
	1			
	2			
	3			



MATERIAL
Housing: ABS, UL 94V-0
COLOR: WHITE,IVORY.....
Temperature: -40°C ~ 68°C
Humidity: 10% ~ 90% RH

COMMON TOLERANCE		SHEET	OF	ALL COPY RIGHTS RESERVED	
CLASS	A	SIZE	A4	DCE DAN-CHIEF ENTERPRISE CO.,LTD.	
DIMENSION		DIA	mm	TITLE	
L<=3	±0.05			SIP-30AN-2	
3<L<=6	±0.05	SCALE	1:1	DRAWING NO. S-061	
6<L<=16	±0.1	DATE	2004.03.11	DRAWN	
16<L<=30	±0.1	DESIGN		CHECKED	
30<L<=120	±0.15				
120<L<=315	±0.2				