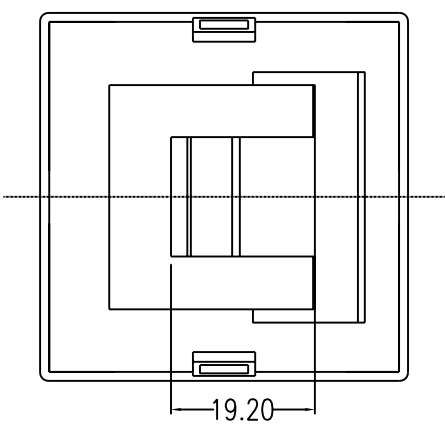
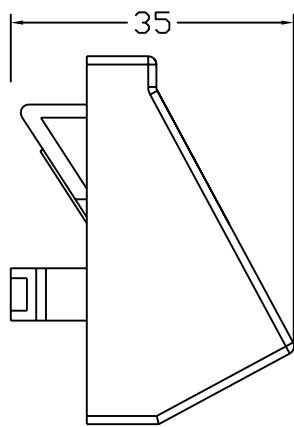
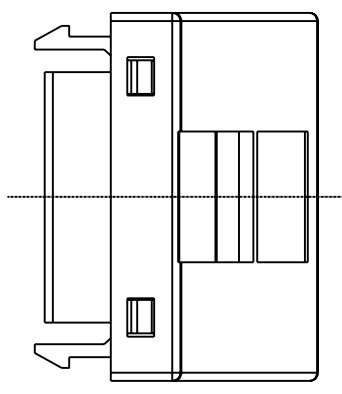
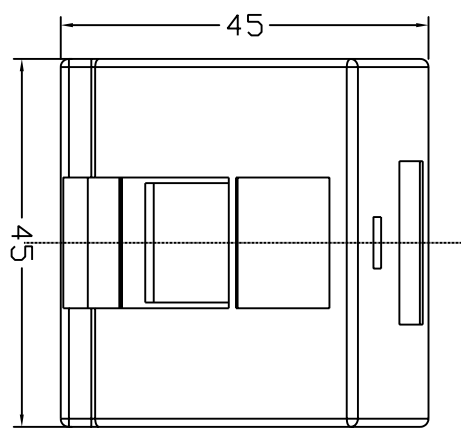


REVISIONS				
ZONE	REV	DESCRIPTION	DATE	APPROVED
	1			
	2			
	3			



**MATERIAL**

Housing: ABS, UL 94V-0  
 COLOR: WHITE,IVORY.....  
 Temperature: -40°C ~ 70°C  
 Humidity: 10% ~ 90% RH

COMMON TOLERANCE		SHEET	OF	ALL COPY RIGHTS RESERVED	
CLASS	A	SIZE	A4	DCE DAN-CHIEF ENTERPRISE CO.,LTD.	
DIMENSION	±0.05	DIA	mm	TITLE	
L <= 3	±0.1	SCALE	1:1	DRAWING NO.	
3 < L <= 6	±0.05	DATE	2004.03.11	S-060	
6 < L <= 16	±0.1	DESIGN		DRAWN	
16 < L <= 30	±0.15	CHECKED			
30 < L <= 120	±0.15				
120 < L <= 315	±0.2				