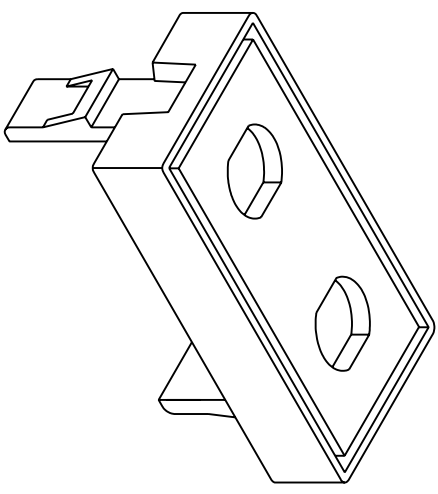
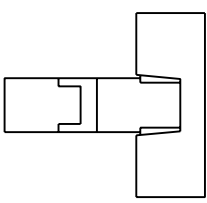
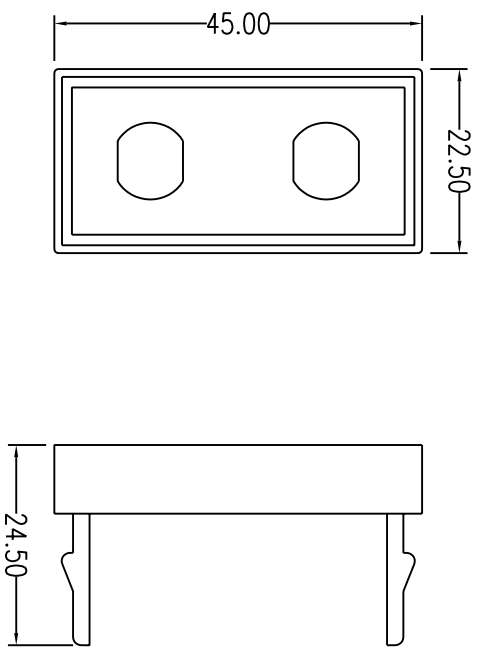


REVISIONS				
ZONE	REV	DESCRIPTION	DATE	APPROVED



MATERIALS: ABS UL94V-0  
 COLOR: WHITE  
 OPTIONS: IVORY.....

COMMON TOLERANCE		SHEET 1 OF 1	ALL COPY RIGHTS RESERVED	
CLASS	A	SIZE	A4	DCE DAN-CHIEF ENTERPRISE CO.,LTD.
DIMENSION	±0.06	DIA	mm	TITLE
L<=3	±0.05	SCALE		SIP-27N-2ST
3<L<=6	±0.06	DATE	MAR.31.99	DRAWING NO.
6<L<=16	±0.1	DESIGN		S-028-5
16<L<=30	±0.1	DRAWN		CHECKED
30<L<=120	±0.15			
120<L<=315	±0.2			