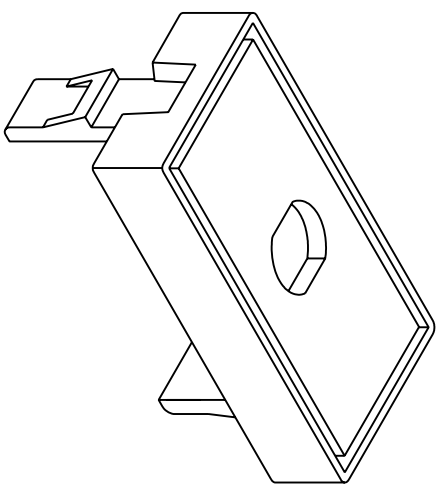
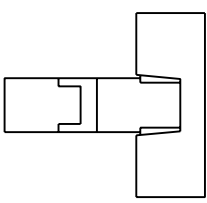
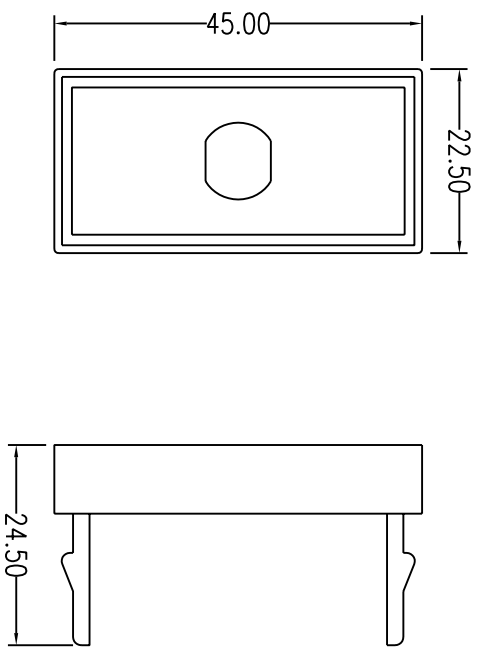



REVISIONS				
ZONE	REV	DESCRIPTION	DATE	APPROVED



MATERIALS: ABS UL94V-0  
 COLOR: WHITE  
 OPTIONS: IVORY.....

COMMON TOLERANCE		SHEET 1 OF 1	ALL COPY RIGHTS RESERVED	
CLASS	A	SIZE	A4	 <b>DAN-CHIEF ENTERPRISE CO.,LTD.</b>
DIMENSION	B	DIA	mm	
L<=3	±0.05	±0.1		TITLE <b>SIP-27N-1ST</b>
3<L<=6	±0.05	±0.1		
6<L<=16	±0.1	±0.15		
16<L<=30	±0.1	±0.2		
30<L<=120	±0.15	±0.3		
120<L<=315	±0.2	±0.5		
DESIGN		DATE	MAR.31.99	DRAWING NO.
DRAWN		S-028-4		CHECKED