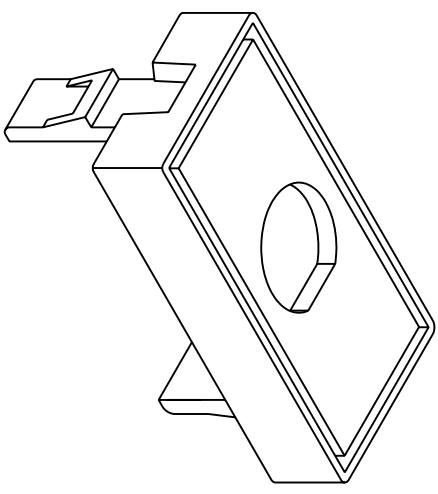
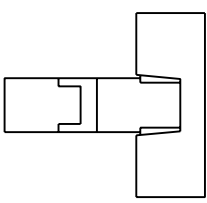
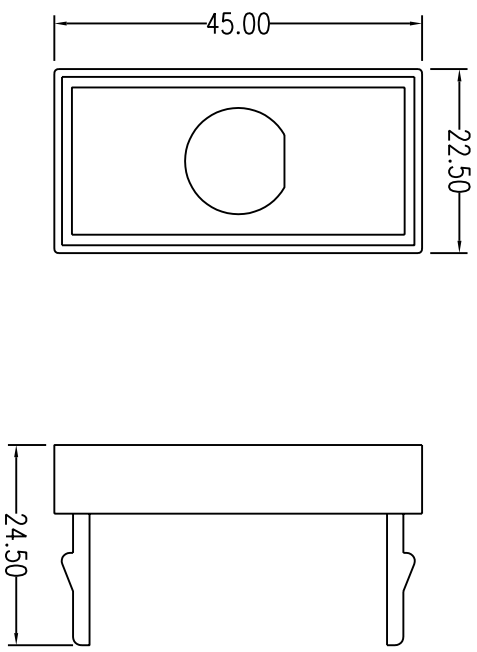



REVISIONS				
ZONE	REV	DESCRIPTION	DATE	APPROVED



MATERIALS: ABS UL94V-0
 COLOR: WHITE
 OPTIONS: IVORY.....

COMMON TOLERANCE		SHEET 1 OF 1	ALL COPY RIGHTS RESERVED	
CLASS	A	SIZE	A4	 DAN-CHIEF ENTERPRISE CO., LTD.
DIMENSION	B	DIA	mm	
L<=3	±0.05	SCALE		TITLE SIP-27N-1BNC
3<L<=6	±0.05	DATE	MAR.31.99	
6<L<=16	±0.1	DRAWING NO.	S-028-2	
16<L<=30	±0.1	CHECKED		
30<L<=120	±0.15	DESIGN		
120<L<=315	±0.2	DRAWN		