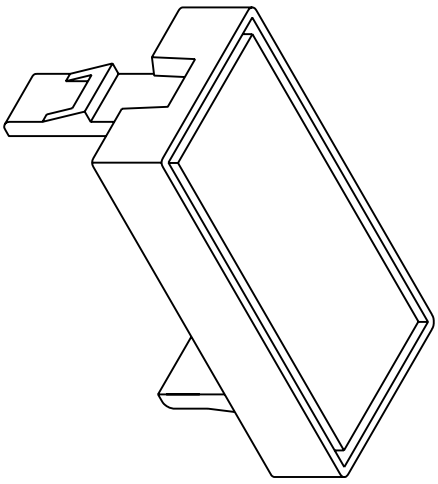
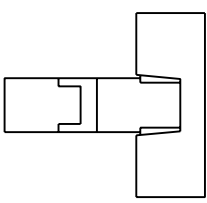
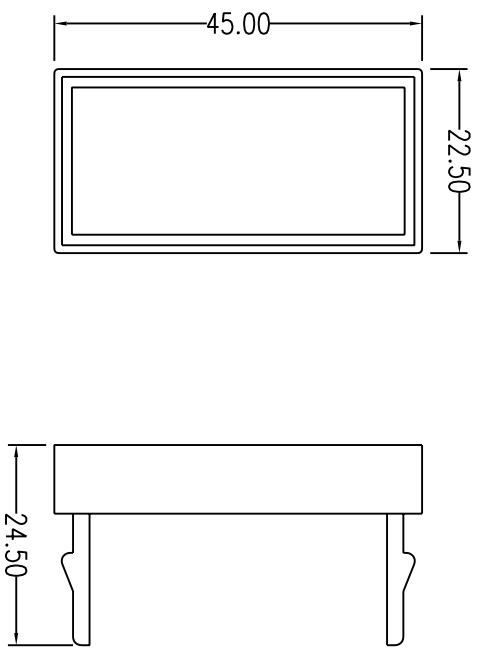



REVISIONS				
ZONE	REV	DESCRIPTION	DATE	APPROVED



MATERIALS: ABS UL94V-0
 COLOR: WHITE
 OPTIONS: IVORY.....

COMMON TOLERANCE		SHEET 1 OF 1	ALL COPY RIGHTS RESERVED		
CLASS	A	SIZE	A4	 DAN-CHIEF ENTERPRISE CO., LTD.	
DIMENSION	B	DIA	mm		
L <= 3	±0.05	±0.1		TITLE SIP-27N-0	
3 < L <= 6	±0.05	±0.1			
6 < L <= 16	±0.1	±0.15	SCALE		
16 < L <= 30	±0.1	±0.2	DATE MAR.31.99		
30 < L <= 120	±0.15	±0.3	DRAWING NO. S-028		
120 < L <= 315	±0.2	±0.5	DESIGN	DRAWN	CHECKED