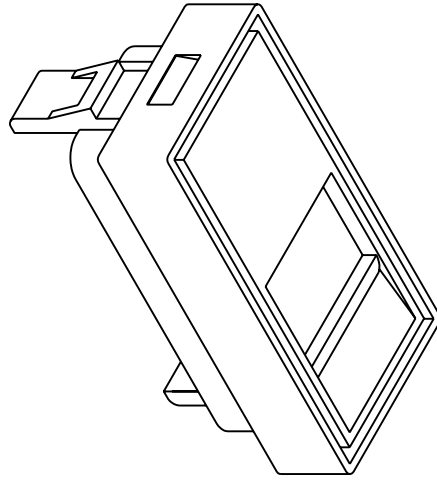
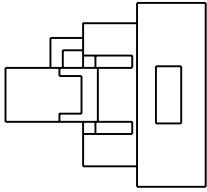
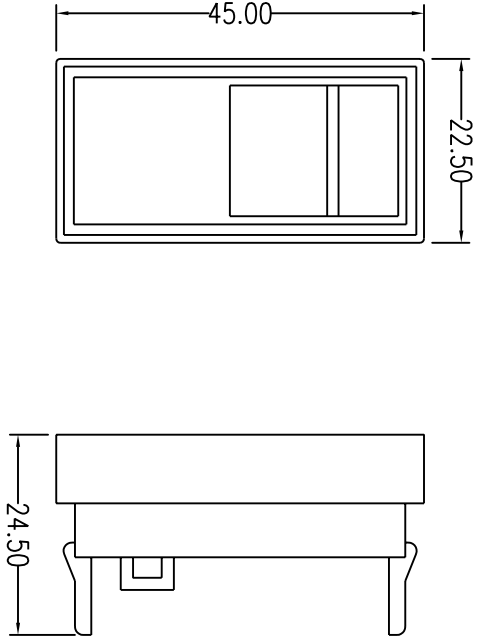


REVISIONS				
ZONE	REV	DESCRIPTION	DATE	APPROVED
	1			
	2			
	3			
	4			



MATERIALS: ABS UL94V-0
 COLOR: WHITE
 OPTIONS: IVORY.....

COMMON TOLERANCE		SHEET	OF	ALL COPY RIGHTS RESERVED	
CLASS	A	SIZE	A4	TITLE	
DIMENSION	±0.05	DIA	mm	DCE DAN-CHIEF ENTERPRISE CO., LTD.	
L <= 3	±0.05	SCALE	4:5	SIP-22N	
3 < L <= 6	±0.05	DATE	2003.07.09	DRAWING NO. S-025-1	
6 < L <= 16	±0.1	DESIGN		DRAWN	
16 < L <= 30	±0.1	CHECKED			
30 < L <= 120	±0.15				
120 < L <= 315	±0.2				