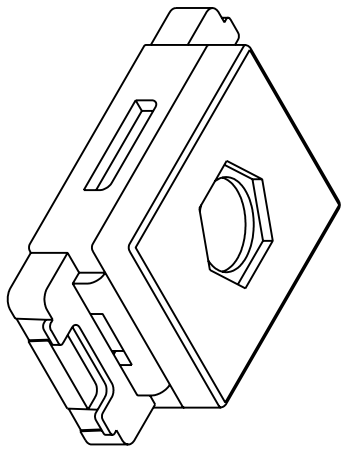
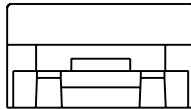
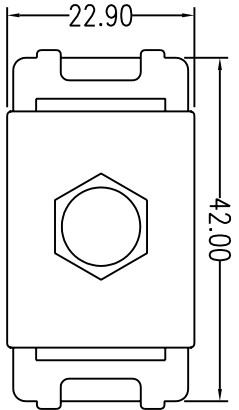
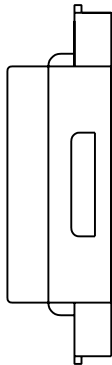



REVISIONS				
ZONE	REV	DESCRIPTION	DATE	APPROVED



MATERIALS: ABS UL94V-0
 COLOR: WHITE
 OPTIONS: IVORY.....

COMMON TOLERANCE		SHEET 1 OF 1	ALL COPY RIGHTS RESERVED	
CLASS	A	SIZE	A4	 DAN-CHIEF ENTERPRISE CO., LTD.
DIMENSION	B	DIA	mm	
L <= 3	±0.05	SCALE		TITLE SIP-19N-2
3 < L <= 6	±0.05	DATE	MAR.29.99	
6 < L <= 16	±0.1	DRAWING NO.	S-022	
16 < L <= 30	±0.1	DRAWN		
30 < L <= 120	±0.15	CHECKED		
120 < L <= 315	±0.2	DESIGN		