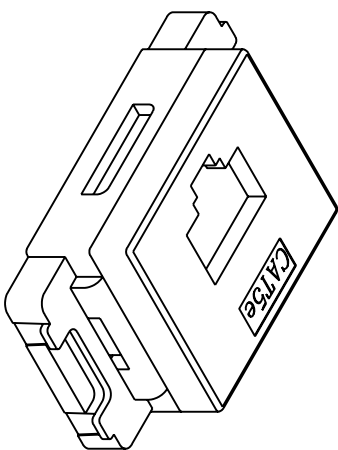
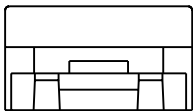
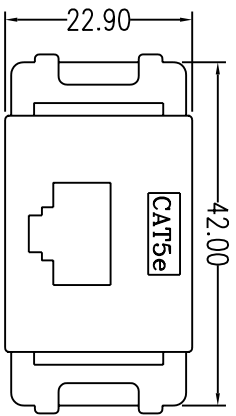
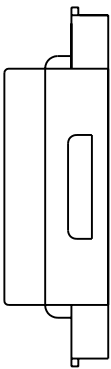



REVISIONS			
ZONE/REV	DESCRIPTION	DATE	APPROVED



MATERIALS: ABS UL94V-0  
 COLOR: WHITE  
 OPTIONS: IVORY.....

COMMON TOLERANCE		SHEET 1 OF 1		ALL COPY RIGHTS RESERVED	
CLASS	A	B	SIZE	A4	 <b>DAN-CHIEF ENTERPRISE CO.,LTD.</b>
DIMENSION	L <= 3	±0.07 ±0.1	UNIT:	mm	
	3 < L <= 6	±0.05 ±0.1	SCALE:	2002.01.24	DRAWING NO.
	6 < L <= 16	±0.1 ±0.15			SIP-18N
	16 < L <= 30	±0.1 ±0.2			
	30 < L <= 120	±0.15 ±0.3			
	120 < L <= 315	±0.2 ±0.5	DESIGN		DRAWN
					CHECKED