

Cat 6a  
 ACCORDING TO TIA/EIA-568-B.2-10  
 REQUIREMENTS

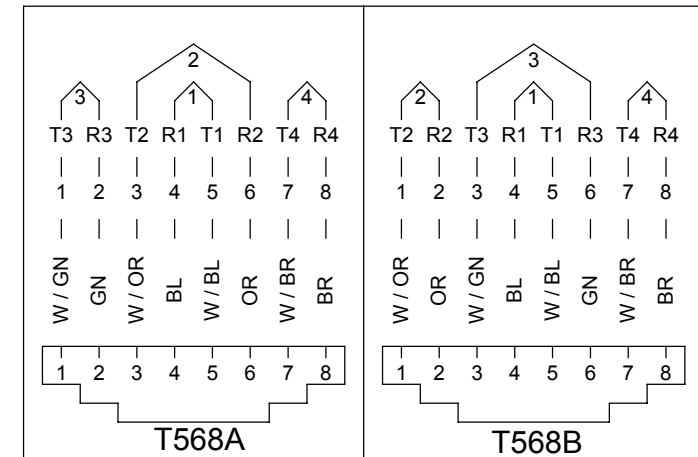
## Physical Specification

Plastic housing: ABS high-impact UL94V-0 thermoplastic  
 Spring wire: Phosphor Bronze 5100W temper wire,  $\phi=0.45\text{mm}$   
 50u" Gold over 100u" Nickel undercoat

IDC housing: Polycarbonate resin high-impact UL94V-0 thermoplastic  
 IDC contact: Phosphor Bronze C5191R-H,  $t=0.4\text{mm}$ , 200u" Tin over 50u" Nickel undercoat  
 Insertion Life: 750 mating cycles with FCC compliant RJ-45 plug  
 Contact force: 100 grams with FCC compliant RJ-45 plug  
 Plug retention force: 11 lbf min  
 Durability: 200 termination cycles  
 Contact compatibility: Accommodates 22 to 26 AWG solid / 24 AWG stranded  
 Operating Temperature Range:  $-10^{\circ}\text{C}$  to  $60^{\circ}\text{C}$   
 Storage Temperature Range:  $-40^{\circ}\text{C}$  to  $68^{\circ}\text{C}$   
 Humidity: 10%~90%RH

## Electrical

Insulation resistance: 500 M $\Omega$   
 Dielectric withstanding voltage: 1000 V  
 DC current rating: 1.5 Amps  
 DC resistance: 0.1 $\Omega$   
 Contact resistance: 20m $\Omega$



Scale	1:1	ALL COPY RIGHTS RESERVED	
3rd Angle Projection		DAN-CHIEF ENTERPRISE CO.,LTD.	
Unit	mm	Title	
Material		QAD-ABL-C6a-XX	
Color		Drawn by	Checked by
Date	2006/12/4	Allen Li	

TOLERANCE				
~20	~50	~150	150~	ANGLE
$\pm 0.20$	$\pm 0.40$	$\pm 0.50$	$\pm 1.50$	$\pm 2^{\circ}$