

Cat 5e

56Y4
E145249



COMMUNICATION
CIRCUIT ACCESSORIES

MATERIAL

PANEL : ALUMINIUM BLACK POWDER PAINTING COAT FINISH
 PLASTIC FRAME : ABS HIGH-IMPACT UL94V-0 THERMOPLASTIC
 CONTACT HOLDER : PC+ABS POLYMER HIGH-IMPACT UL94V-0 THERMOPLASTIC
 SPRING WIRE : PHOSPHOR BRONZE 5100W TEMPER WIRE, Φ=0.45MM, 3U" AU / 30U" PDNI OVER 60U" NICKEL UNDERCOAT
 IDC PLASTIC : POLYCARBONATE RESIN HIGH-IMPACT UL94V-2
 IDC CONTACT : PHOSPHOR BRONZE C5191R-H, T=0.4MM, 80U" NICKEL PLATED

PHYSICAL CHARACTERISTICS

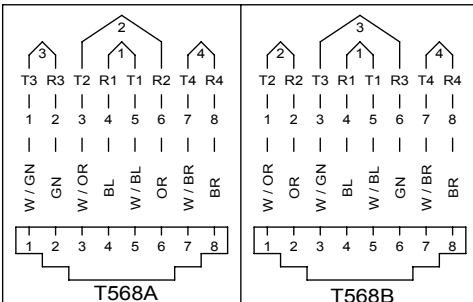
INSERTION LIFE : 750 MATING CYCLES WITH FCC COMPLIANT RJ-45 PLUG
 CONTACT FORCE : 100 GRAMS WITH FCC COMPLIANT RJ-45 PLUG
 PLUG RETENTION FORCE : 11 LBF MIN.
 DURABILITY : 200 TERMINATION CYCLES
 CONTACT COMPATIBILITY : ACCOMMODATES 22 TO 26 AWG SOLID / 24 AWG STRANDED
 OPERATING TEMPERATURE RANGE : -10°C TO 60°C
 STORAGE TEMPERATURE RANGE : -40°C TO 68°C
 HUMIDITY : 10%-90%RH

ELECTRICAL

INSULATION RESISTANCE : 500 MΩ
 DIELECTRIC WITHSTANDING VOLTAGE : 1000 V
 DC CURRENT RATING : 1.5 Amps
 DC RESISTANCE : 0.1Ω
 CONTACT RESISTANCE : 20mΩ

ENCLOSURE

NYLON CABLE TIE X 4 PCS
 INSTRUCTION X 1 PC



Scale		2:3		
3rd Angle Projection				
Unit		mm		
Date		2009/11/30		
Tolerance				
~20	~50	~150	150~	ANGLE
±0.2	±0.4	±0.5	±1.5	±2°

All Copy Rights Reserved	
	DAN-CHIEF ENTERPRISE CO., LTD.
Title	
O3012IP9DAXBE6APD001	
Drawn by	Checked by
Kata Lo	