

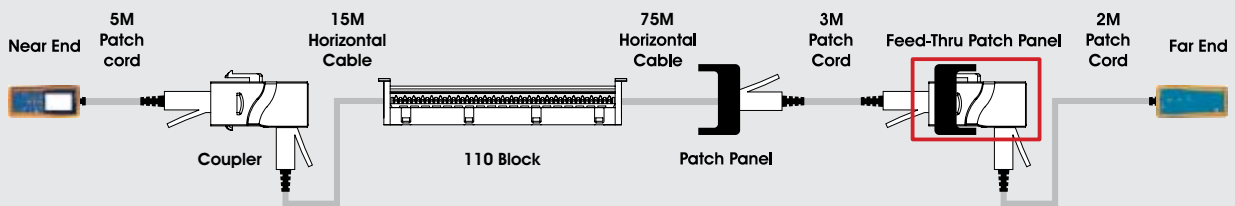
DCE Cat.6 UTP 90° In-Line Coupler

PART NO: O2100UQ8C6XX

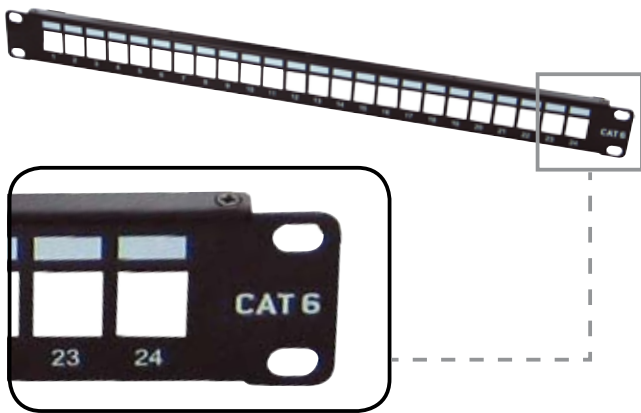
Features



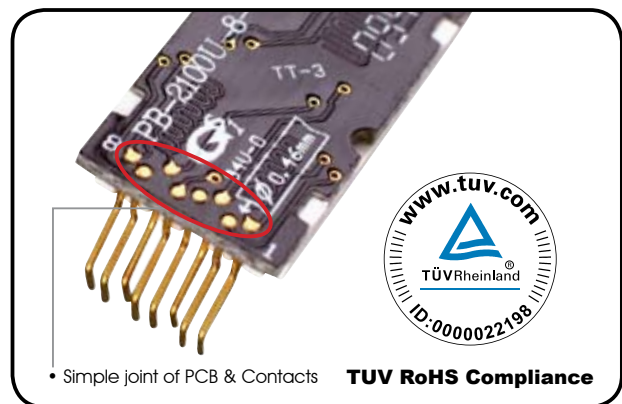
1 Can be used in telecommunication closet or work area. **Provides excellent headroom for NEXT, Return Loss or Attenuation** channel requirement specified by standards.



2 Slim and Compact. It can be assembled as a 24-port feed-through panel.



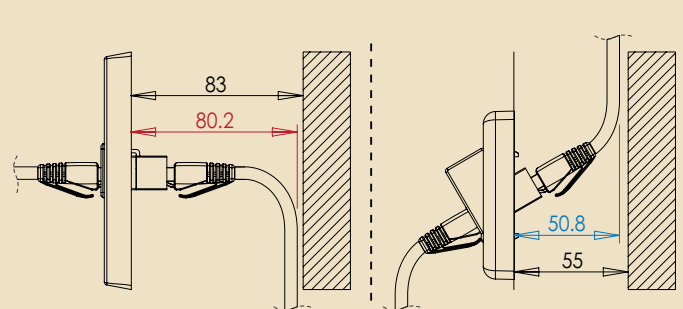
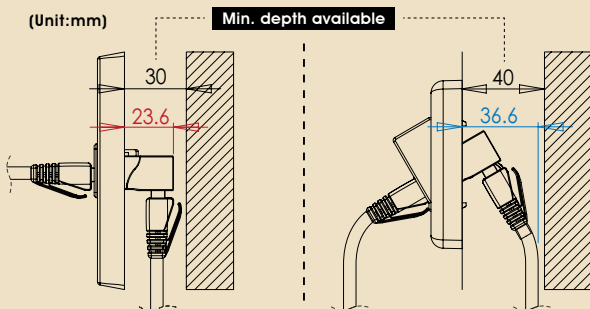
3 It features **Press-Fit Technology**, which is lead-free and no solder.



4 Right-Angled design reduces the mounting depth.

■ **The new 90° coupler** saves room in the mounting box or cramped space.

■ **The common 180° coupler** takes more room and is not available in cramped space.



Application

Cat.6 Channel Performance

It's press-fit made. No solder is used, purely lead-free

Operable with current Gigabit Ethernet system and backward compatible to the former Category application, as the table shown hereunder:

| Category 3 | Category 4 | Category 5 | Category 5e | Category 6 |
|------------------|--|-----------------------------|-----------------------------------|--------------|
| 802.3 - 10BASE-T | 802.5 - 4Mbps Token Ring, 802.5 - 16Mbps Token Ring | 155 Mbps ATM, 1000BASE-T | 155 Mbps ATM, 1000BASE-T, VoIP | 1000 BASE-TX |

Wired one to one

Mountable for all kinds of standard keystone jack opening

Physical Specification

COUPLER HOUSING : POLYCARBONATE RESIN HIGH-IMPACT UL94V-0 THERMOPLASTIC

CONTACT HOLDER : ABS HIGH-IMPACT UL94V-0 THERMOPLASTIC

SPRING WIRE : PHOSPHOR BRONZE 5100W TEMPER WIRE, $\phi=0.45\text{MM}$,
50U" GOLD OVER 100U" NICKEL UNDERCOAT

INSERTION LIFE : 750 MATING CYCLES WITH FCC COMPLIANT RJ-45 PLUG

CONTACT FORCE : 100 GRAMS WITH FCC COMPLIANT RJ-45 PLUG

PLUG RETENTION FORCE : 11 LBF MIN.

OPERATING TEMPERATURE RANGE : -10°C TO 60°C

STORAGE TEMPERATURE RANGE : -40°C TO 68°C

HUMIDITY : 10%~90%RH.

Electrical Specification

INSULATION RESISTANCE : 500 M Ω .

DIELECTRIC WITHSTANDING VOLTAGE : 1000 V AC.

DC CURRENT RATING : 1.5 Amps.

DC RESISTANCE : 0.1 Ω .

CONTACT RESISTANCE : 20m Ω .

Standard Verification

ANSI/TIA-568-B.2-1 channel compliant

FCC part 68.5, Subpart F compliant

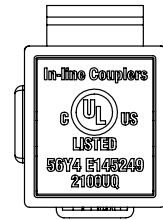
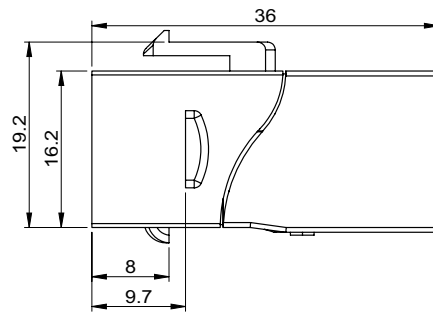
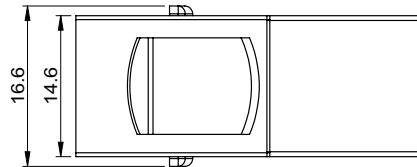
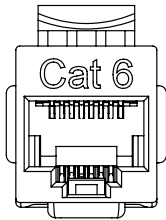
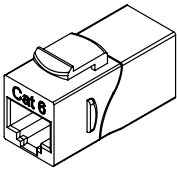
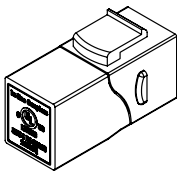
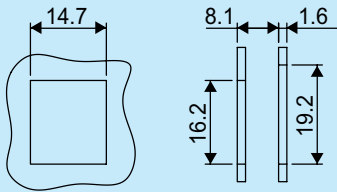
ISO/IEC 11801 Class E channel compliant

ISO/IEC 60603-7, UL 1863

Mechanical Drawing

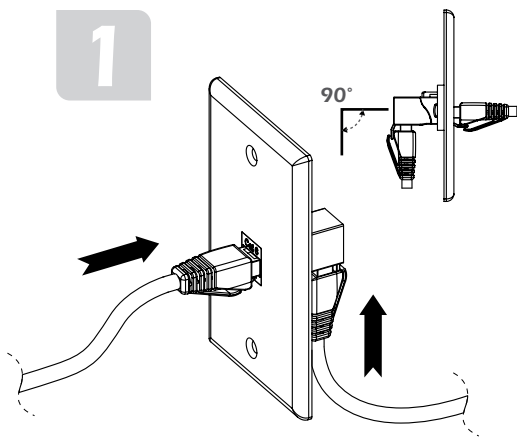
(Unit:mm)

SUGGESTED MOUNTING CUTOUT



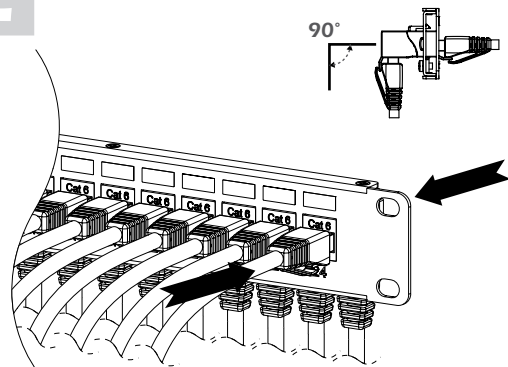
Installation Manual

1



Wall plate mountable,
easy to couple two patch cable.

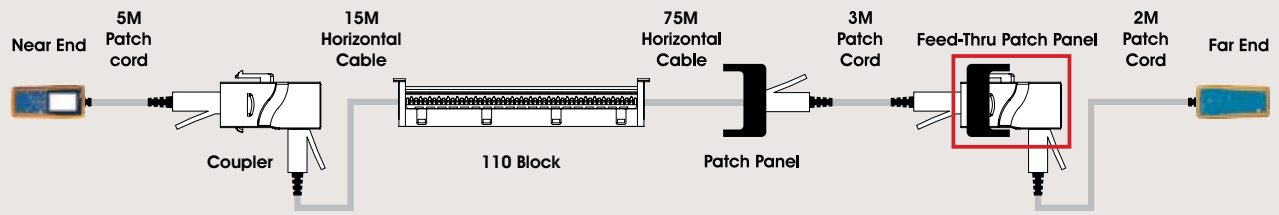
2



Compact design, could be snapped into a blank
patch panel to work as an interconnect feed-through.

Note: Please ensure to complete the Cat. 6 channel with performance compliant patch cables.

Transmission Performance Test Report



Cable ID: O2100UQ8C6

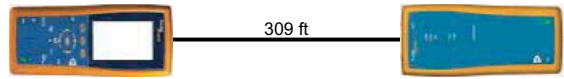
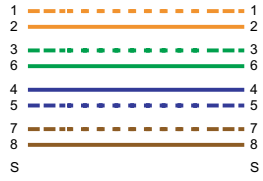
Test Summary: PASS

Date / Time: 10/13/2009 01:34:09pm
 Headroom: 7.7 dB (NEXT 36-45)
 Test Limit: TIA Cat 6 Channel
 Cable Type: Cat 6 UTP

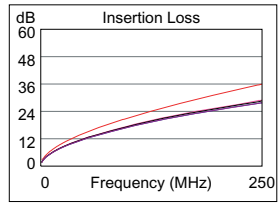
Operator: Your Name
 Software Version: 2.2200
 Limits Version: 1.3700
 NVP: 69.0%

Model: DTX-1800
 Main S/N: 9116083
 Remote S/N: 9116084
 Main Adapter: DTX-CHA001
 Remote Adapter: DTX-CHA001

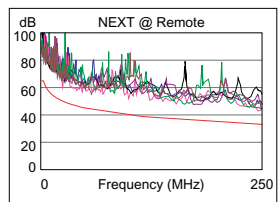
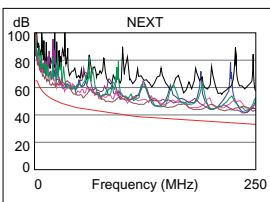
Wire Map (T568B)
PASS



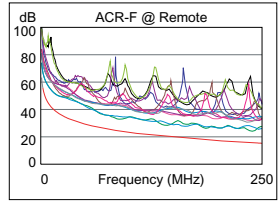
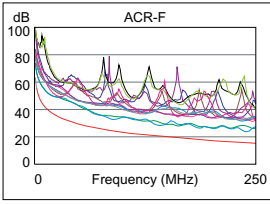
| | | |
|-----------------------------|-----------|-------|
| Length (ft), Limit 328 | [Pair 12] | 309 |
| Prop. Delay (ns), Limit 555 | | 482 |
| Delay Skew (ns), Limit 50 | | 27 |
| Resistance (ohms) | [Pair 45] | 14.1 |
| Insertion Loss Margin (dB) | [Pair 36] | 7.0 |
| Frequency (MHz) | [Pair 36] | 250.0 |
| Limit (dB) | [Pair 36] | 35.9 |



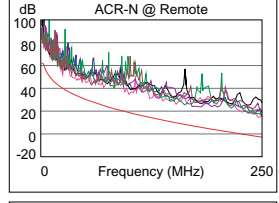
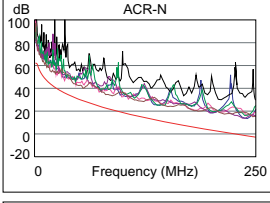
| | Worst Case Margin | | Worst Case Value | |
|---------------------|-------------------|-------|------------------|-------|
| | MAIN | SR | MAIN | SR |
| PASS | | | | |
| Worst Pair | 36-45 | 12-45 | 36-45 | 12-45 |
| NEXT (dB) | 7.7 | 9.5 | 7.7 | 9.5 |
| Freq. (MHz) | 235.5 | 244.5 | 237.5 | 244.5 |
| Limit (dB) | 33.6 | 33.3 | 33.5 | 33.3 |
| Worst Pair | 36 | 36 | 36 | 36 |
| PS NEXT (dB) | 6.8 | 10.2 | 6.8 | 10.2 |
| Freq. (MHz) | 236.5 | 250.0 | 237.5 | 250.0 |
| Limit (dB) | 30.6 | 30.2 | 30.5 | 30.2 |



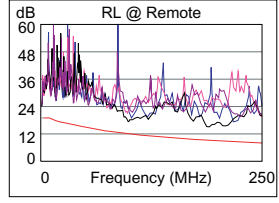
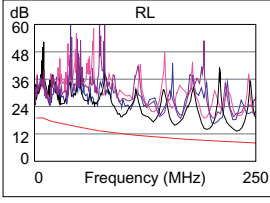
| | Worst Case Margin | | Worst Case Value | |
|----------------------|-------------------|-------|------------------|-------|
| | MAIN | SR | MAIN | SR |
| PASS | | | | |
| Worst Pair | 45-36 | 36-45 | 45-36 | 36-45 |
| ACR-F (dB) | 7.9 | 8.0 | 8.0 | 8.4 |
| Freq. (MHz) | 139.5 | 141.0 | 238.5 | 238.5 |
| Limit (dB) | 20.4 | 20.3 | 15.7 | 15.7 |
| Worst Pair | 36 | 45 | 36 | 45 |
| PS ACR-F (dB) | 10.7 | 9.9 | 10.7 | 9.9 |
| Freq. (MHz) | 238.5 | 238.5 | 238.5 | 238.5 |
| Limit (dB) | 12.7 | 12.7 | 12.7 | 12.7 |



| | Worst Case Margin | | Worst Case Value | |
|----------------------|-------------------|-------|------------------|-------|
| | MAIN | SR | MAIN | SR |
| N/A | | | | |
| Worst Pair | 45-78 | 12-45 | 12-36 | 12-45 |
| ACR-N (dB) | 10.4 | 11.7 | 14.9 | 16.9 |
| Freq. (MHz) | 18.8 | 24.6 | 239.5 | 244.5 |
| Limit (dB) | 43.4 | 40.1 | -1.6 | -2.2 |
| Worst Pair | 45 | 45 | 36 | 36 |
| PS ACR-N (dB) | 10.7 | 12.8 | 13.5 | 17.3 |
| Freq. (MHz) | 46.8 | 24.6 | 238.5 | 250.0 |
| Limit (dB) | 28.6 | 37.4 | -4.4 | -5.8 |



| | Worst Case Margin | | Worst Case Value | |
|----------------|-------------------|------|------------------|-------|
| | MAIN | SR | MAIN | SR |
| PASS | | | | |
| Worst Pair | 45 | 45 | 45 | 45 |
| RL (dB) | 4.8 | 5.3 | 4.8 | 5.6 |
| Freq. (MHz) | 194.0 | 98.8 | 228.0 | 191.5 |
| Limit (dB) | 9.1 | 12.1 | 8.4 | 9.2 |



Compliant Network Standards:
 10BASE-T 100BASE-TX 100BASE-T4
 1000BASE-T ATM-25 ATM-51
 ATM-155 100VG-AnyLan TR-4
 TR-16 Active TR-16 Passive

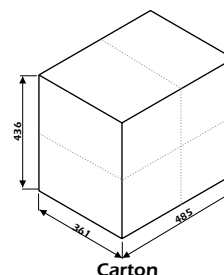
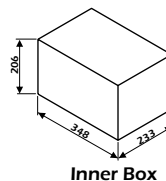
Cat.6 4-Point Channel Typical Transmission Performance

| Frequency (MHz) | Attenuation (dB) | NEXT (db) | RL (db) | ELFEXT (db) | PSELFEXT (db) |
|-----------------|------------------|-----------|---------|-------------|---------------|
| 1 | 1.6 | 89.3 | 24.8 | 73.9 | 72.6 |
| 4 | 3.3 | 76.3 | 29.6 | 62.9 | 61.3 |
| 8 | 4.7 | 71.5 | 45.5 | 57.7 | 55.8 |
| 10 | 5.3 | 69.4 | 37.7 | 55.9 | 53.9 |
| 16 | 6.7 | 66.5 | 32.4 | 52.1 | 50.2 |
| 20 | 7.6 | 62.9 | 31.8 | 50.5 | 48.7 |
| 25 | 8.5 | 63.1 | 32.3 | 49.5 | 47.5 |
| 31.25 | 9.6 | 63 | 26 | 48.9 | 45.7 |
| 62.5 | 13.8 | 59.3 | 31.1 | 38.7 | 37.1 |
| 100 | 17.7 | 53.5 | 19.8 | 34.4 | 32.8 |
| 200 | 25.8 | 48.8 | 15.4 | 26.5 | 26.1 |
| 250 | 28.9 | 42.6 | 19 | 28 | 25.5 |

Performance compliant with TIA-568B.2-1

Packaging

250 pcs per inner box (Dimension: 348*233*206mm)
 4 inner boxes per carton (Dimension: 361*485*436mm)



Ordering Information

C6 In-Line Coupler

Color Option: [WH] [BK] [BL] [RE] [YE] [GN] [IV]

| P/N (XX=color) | Description |
|----------------|---|
| O2100UQ8C6XX | Cat.6 channel compliant UTP in-line coupler, right-angled |

*Features Press-Fit Technology



Relative Products

C6 90° Keystone Jack

Color Option: WH BK BL RE YE GN IV

| P/N (XX=color) | Description |
|---------------------|--|
| O3013A-EQ8-C6ABL-XX | Cat.6 channel compliant UTP keystone jack, right-angled, 110 IDC |

*Features Press-Fit Technology.



Angled Advanced Multi-User Outlet

Color Option: WH IV

| P/N (XX=color) | Description |
|----------------|--|
| 625B27-2-XX | AMO angled single gang faceplate, 2-port |
| 625B27-4-XX | AMO angled single gang faceplate, 4-port |



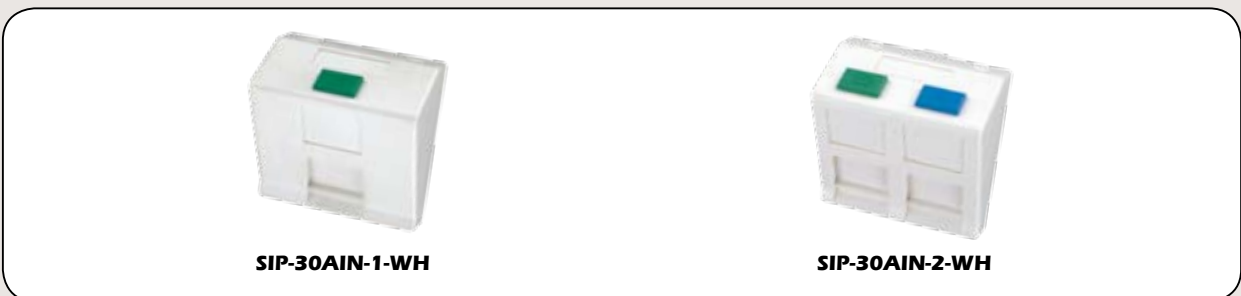
Advanced Multi-User Module

Color Option: WH IV

| P/N (XX=color) | Description |
|----------------|---------------------|
| 3013BUS-1-XX | AMO unloaded module |



Continental Angled Insert



Color Option: WH IV

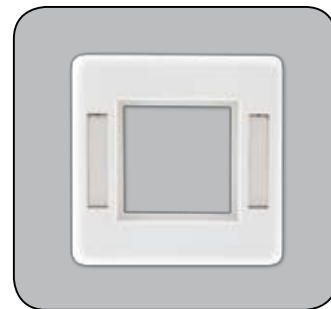
| P/N (XX=color) | Description |
|----------------|---|
| SIP-30AIN-1-XX | 45 x 45mm continental unloaded angled shuttered module w/icon tab, 1-port |
| SIP-30AIN-2-XX | 45 x 45mm continental unloaded angled shuttered module w/icon tab, 2-port |

Relative Products

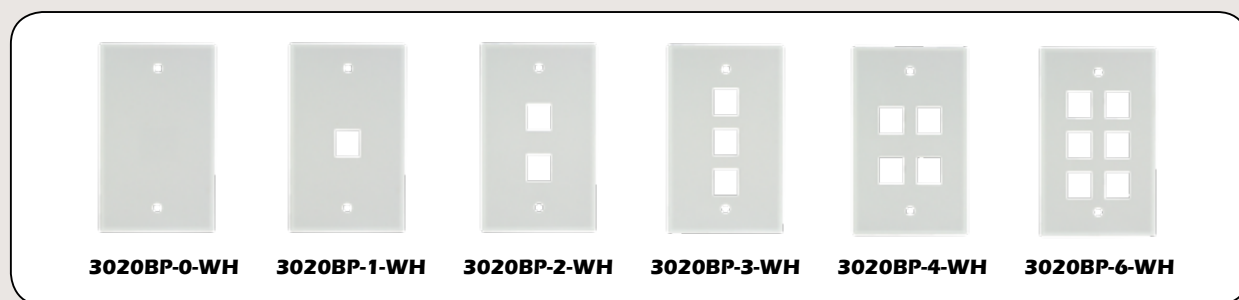
Continantal Outlet

Color Option: [WH] [IV]

| P/N (XX=color) | Description |
|----------------|---|
| 625B22AF-XX | Inner frame size: 45mm x 45mm Outer frame size: 81 x 81mm continental gang frame |



Keystone Jack Outlet



Color Option: [WH] [IV]

| P/N (XX=color) | Description |
|----------------|---|
| 3020BP-0-XX | Single gang wallplate, 0-port, dimensions: 114.1 x 70.2 x 6mm |
| 3020BP-1-XX | Single gang wallplate, 1-port, dimensions: 114.1 x 70.2 x 6mm |
| 3020BP-2-XX | Single gang wallplate, 2-port, dimensions: 114.1 x 70.2 x 6mm |
| 3020BP-3-XX | Single gang wallplate, 3-port, dimensions: 114.1 x 70.2 x 6mm |
| 3020BP-4-XX | Single gang wallplate, 4-port, dimensions: 114.1 x 70.2 x 6mm |
| 3020BP-6-XX | Single gang wallplate, 6-port, dimensions: 114.1 x 70.2 x 6mm |

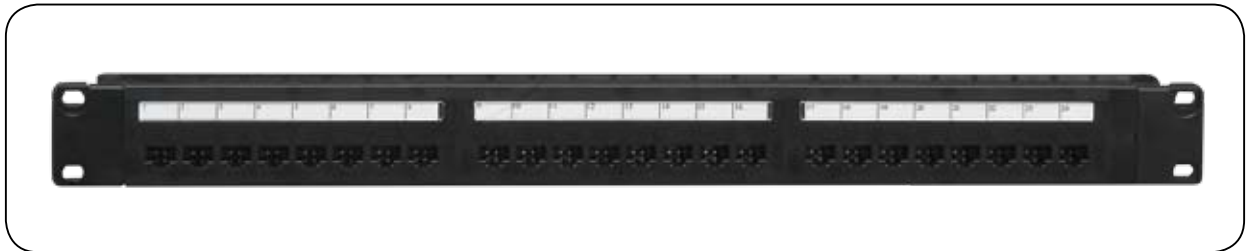
Cat.6 Blank Patch Panel



| P/N | Port | Description |
|-----------------|-----------------|--|
| O3012KW-N-24-C6 | 24 Port, 1 unit | snap-in blank patch panel, w/rear cable manager, Cat.6 printing at the right |

Relative Products

Cat.6 Patch Panel



| P/N | Port | Description |
|-----------------|-----------------|--|
| O3012IP9IAXGF6A | 24 Port, 1 unit | Cat.6 channel compliant UTP patch panel, 110 IDC |

*Features Press-Fit Technology

Cat.6 Patch Cord

Color Option: **BK** **BL** **RE** **OR** **GN** **GR**

| P/N (XX=color, yy=length) | Description |
|---------------------------|---|
| 411U-8-C6-XX-YY | Cat.6 unscreened T568B wiring patch cord, molded boot, PVC |
| 411U-8-C6-XX-YY-LSOH | Cat.6 unscreened T568B wiring patch cord, molded boot, LSOH |



Cat.6 LAN Cable

| P/N | Description |
|------------------|---|
| UTP-4231-C6 | Cat.6 UTP solid cable, 23 AWG, 1000ft (305m)/reel, PVC sheath |
| UTP-4231-C6-LSOH | Cat.6 UTP solid cable, 23AWG, 1000ft (305m)/reel, LSOH sheath |
| UTP-4231-C6-CMP | Cat.6 UTP solid cable, 23AWG, 1000ft (305m)/reel, CMP grade |

