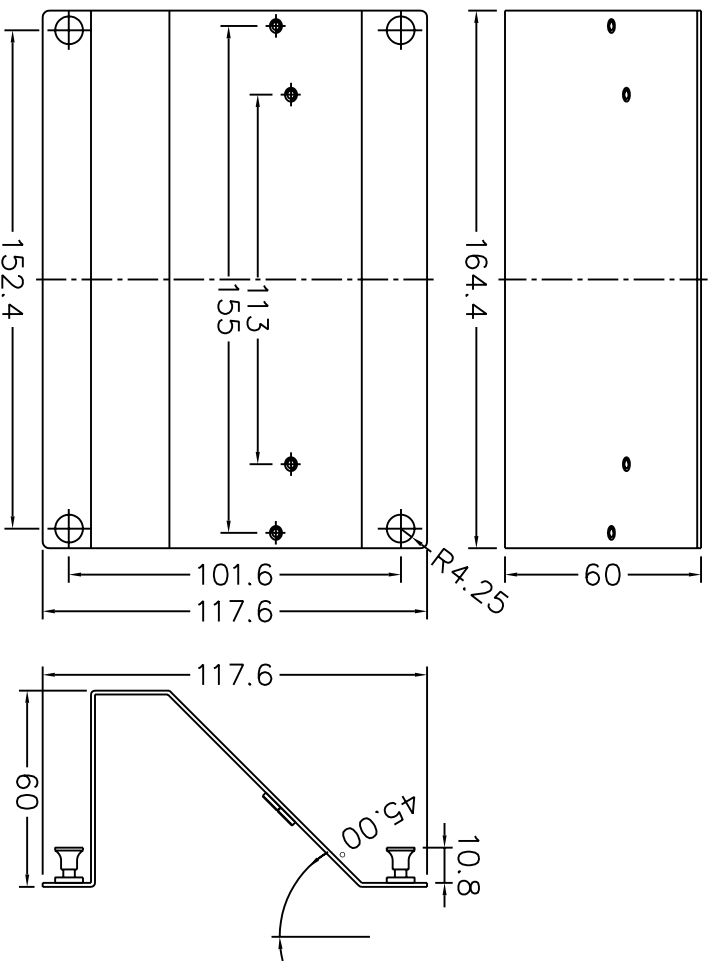
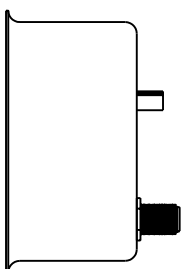
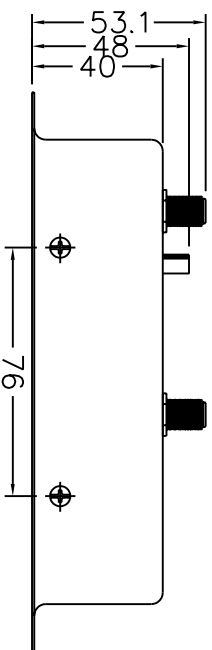
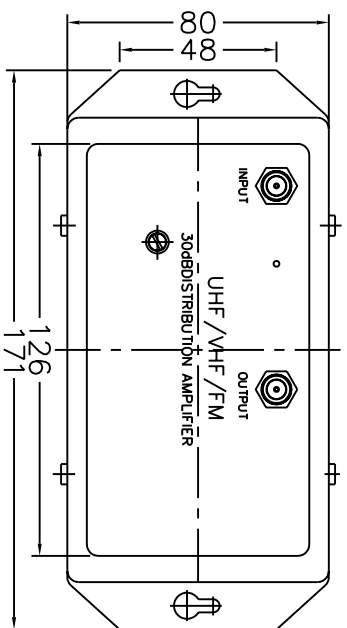


REVISIONS			
ZONE/REV	DESCRIPTION	DATE	APPROVED



P/N	FREQUENCY RANGE (MHz)	RATED GAIN (dB)	FLATNESS IN BAND	RETURN LOSS OUT (MIN, dB)	POWER VOLTAGE SUPPLY	IMPEDANCE
HMC2102	40-900	10.0	±1.5	10.0	AC220V OR AC110V	75OHM

COMMON TOLERANCE		SHEET 1 OF 1		ALL COPY RIGHTS RESERVED	
CLASS	A	B	SIZE	A4	TITLE
DIMENSION	L <= 3	±0.07 ±0.1	UNIT:	mm	DAN-CHIEF ENTERPRISE CO., LTD. HMC2102
	3 < L <= 6	±0.05 ±0.1	SCALE:	2:5	
	6 < L <= 16	±0.1 ±0.15	DATE:	AUG. 27. 2003	
	16 < L <= 30	±0.1 ±0.2	DRAWING NO.	HMC-003	
	30 < L <= 120	±0.15 ±0.3	DESIGN	CHECKED	
	120 < L <= 315	±0.2 ±0.5	DRAWN		