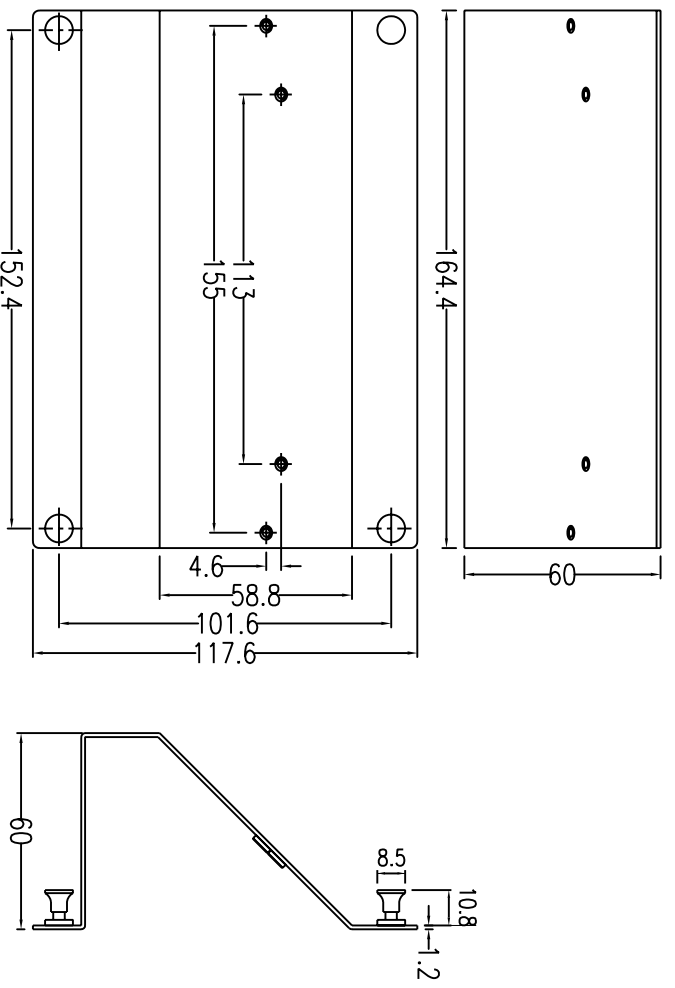
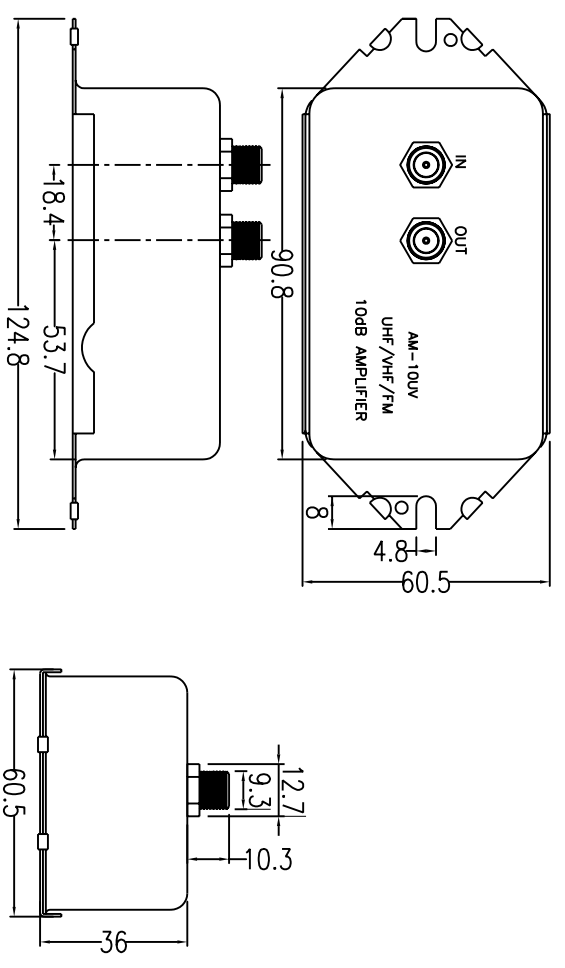



REVISIONS				
ZONE	REV	DESCRIPTION	DATE	APPROVED



P / N	FREQUENCY RANGE (MHz)	RATED GAIN (dB)	FLATNESS IN BAND	RETURN LOSS OUT (MIN, dB)	POWER VOLTAGE SUPPLY	IMPEDANCE
HMC2101	40-860	24.0	±1.5	10.0	AC220V OR AC110V	75OHM

COMMON TOLERANCE		SHEET OF	ALL COPY RIGHTS RESERVED	
CLASS	A	SIZE	A4	 DAN-CHIEF ENTERPRISE CO., LTD. HMC2101
DIMENSION	±0.05	DIA	mm	
L <= 3	±0.05	SCALE	2:5	
3 < L <= 6	±0.05	DATE	SEP.01.2003	
6 < L <= 16	±0.1	DESIGN		
16 < L <= 30	±0.1	DRAWING NO.	HMC-008	
30 < L <= 120	±0.15	CHECKED		
120 < L <= 315	±0.2			