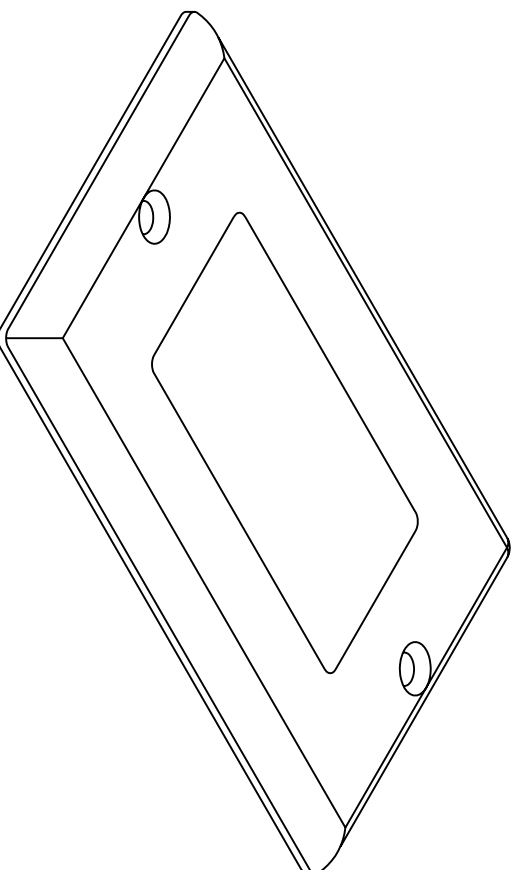
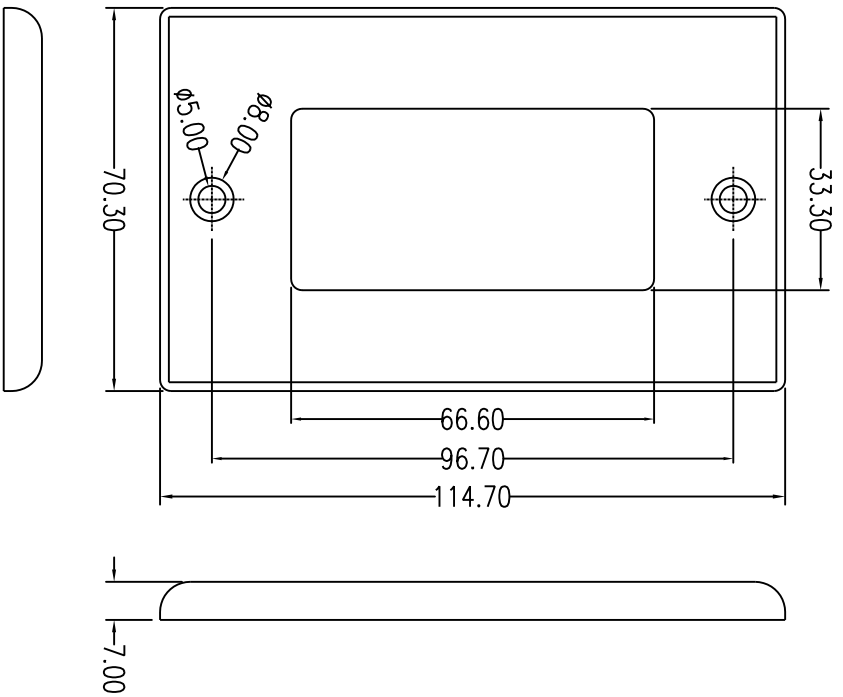


REVISIONS				
ZONE	REV	DESCRIPTION	DATE	APPROVED
	A			
	A			

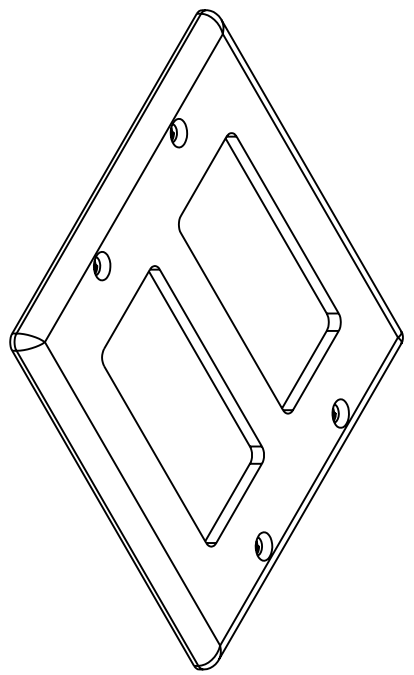
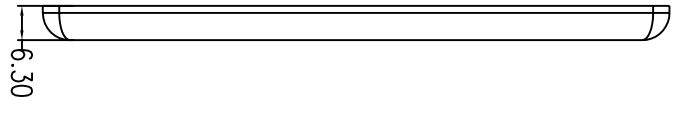
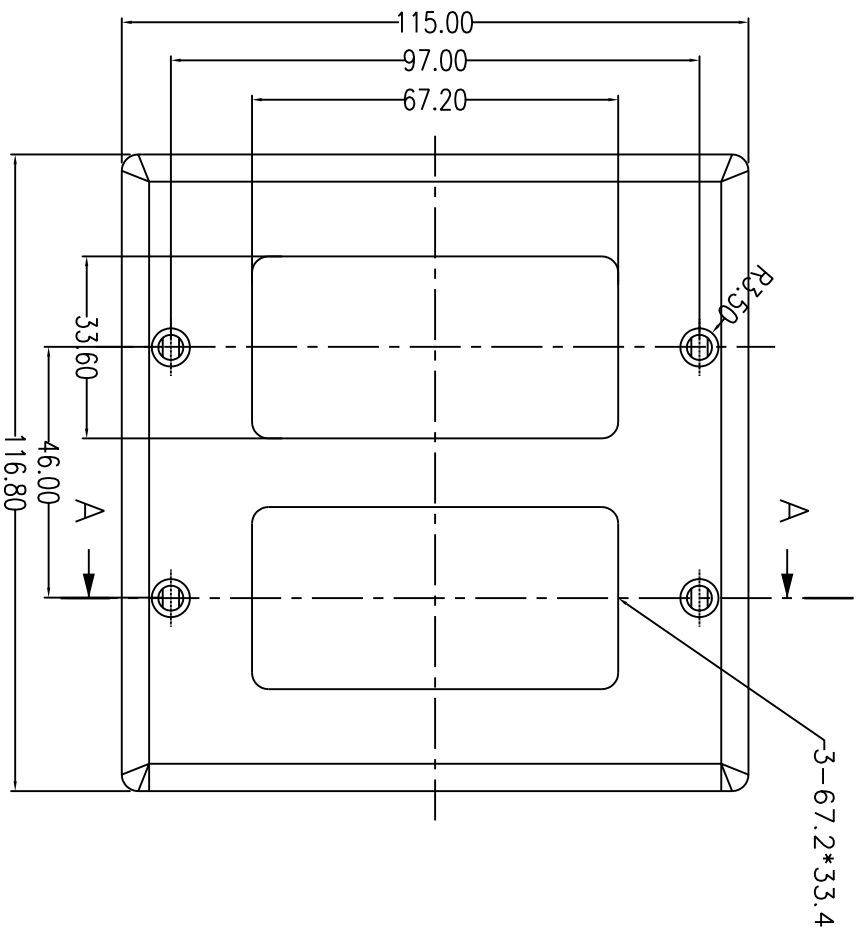


MATERIAL
Housing: ABS, UL 94V-0
COLOR: WHITE,IVORY.....
Temperature: -40°C ~ 68°C
Humidity: 10% ~90% RH

ENCLOSURE:
K4-6 x 8mm SCREW X 2

COMMON TOLERANCE		SHEET	OF	ALL COPY RIGHTS RESERVED	
CLASS	A	SIZE	A4	DCE DAN-CHIEF ENTERPRISE CO.,LTD.	
DIMENSION		DIA	mm	TITLE	
L<=3	±0.05			880-XX-F	
3<L<=6	±0.05			DRAWING NO. B-109	
6<L<=16	±0.1	SCALE	2:3	CHECKED	
16<L<=30	±0.1	DATE	2004.10.15		
30<L<=120	±0.15	DESIGN			
120<L<=315	±0.2				

REVISIONS				
ZONE	REV	DESCRIPTION	DATE	APPROVED
	1			
	2			
	3			
	4			

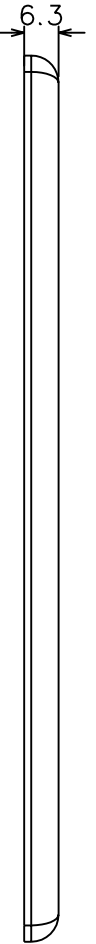
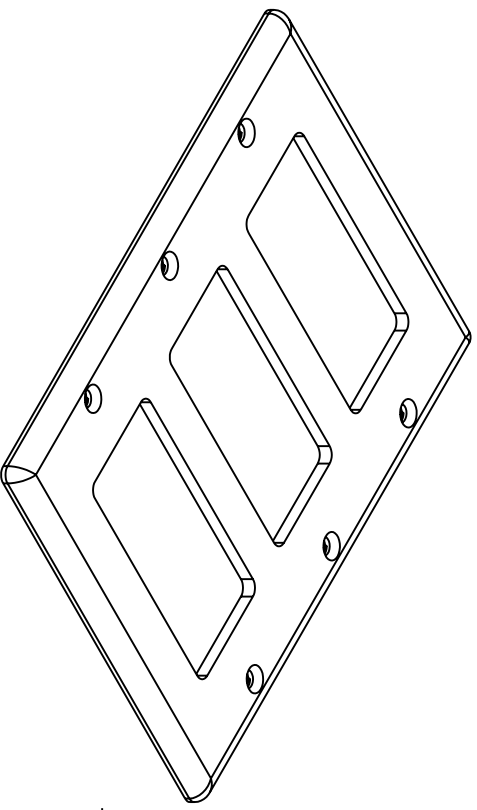
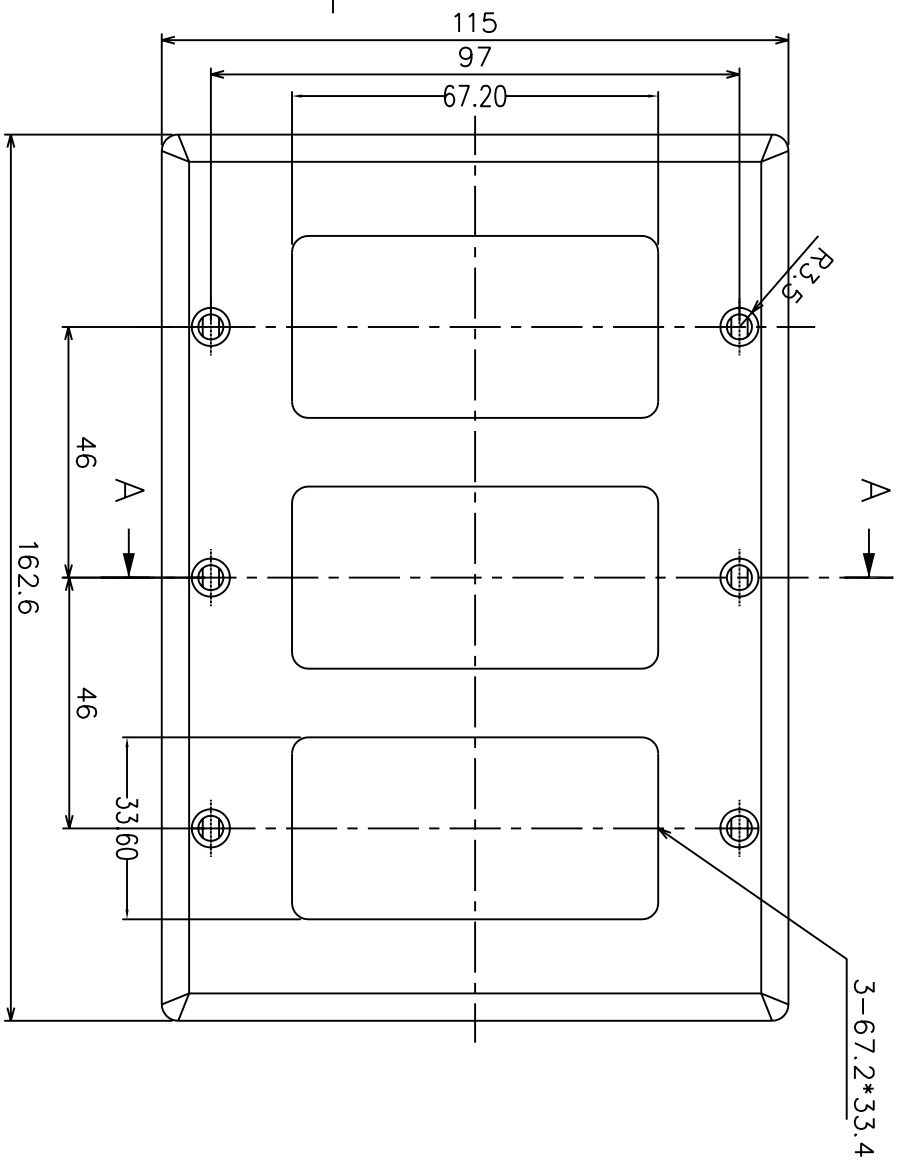


MATERIAL:
Housing: ABS, UL 94V-0
ENCLOSURE:
K4 6 x 8mm SCREW X 4 PCS

COLOR: WHITE, IVORY,
Temperature: -40°C ~ 68°C
Humidity: 10% ~ 90% RH

COMMON TOLERANCE		SHEET	OF	ALL COPY RIGHTS RESERVED	
CLASS	A	SIZE	A4	DCE DAN-CHIEF ENTERPRISE CO., LTD.	
DIMENSION		DIA	mm	TITLE	
L <= 3	±0.05			880D-XX	
3 < L <= 6	±0.05	SCALE	2:3	DRAWING NO.	
6 < L <= 16	±0.1	DATE	2004.10.26	B-204	
16 < L <= 30	±0.1	DESIGN		DRAWN	
30 < L <= 120	±0.15	CHECKED			
120 < L <= 315	±0.2				

REVISIONS				
ZONE	REV	DESCRIPTION	DATE	APPROVED
	A			
	A			



MATERIAL:

Housing: ABS, UL 94V-0
 COLOR: WHITE,IVORY.....
 Temperature: -40°C ~ 68°C
 Humidity: 10% ~ 90% RH

ENCLOSURE:

K4 6 x 8mm SCREW X 6 PCS

COMMON TOLERANCE		SHEET	OF	ALL COPY RIGHTS RESERVED	
CLASS	A	SIZE	A4	DCE DAN-CHIEF ENTERPRISE CO.,LTD.	
DIMENSION		DIA	mm	TITLE	
L<=3	±0.05			880T-XX	
3<L<=6	±0.05	SCALE	2:3	DRAWING NO.	B-203
6<L<=16	±0.1	DATE	2004.10.26	DRAWN	CHECKED
16<L<=30	±0.1	DESIGN			
30<L<=120	±0.15				
120<L<=315	±0.2				