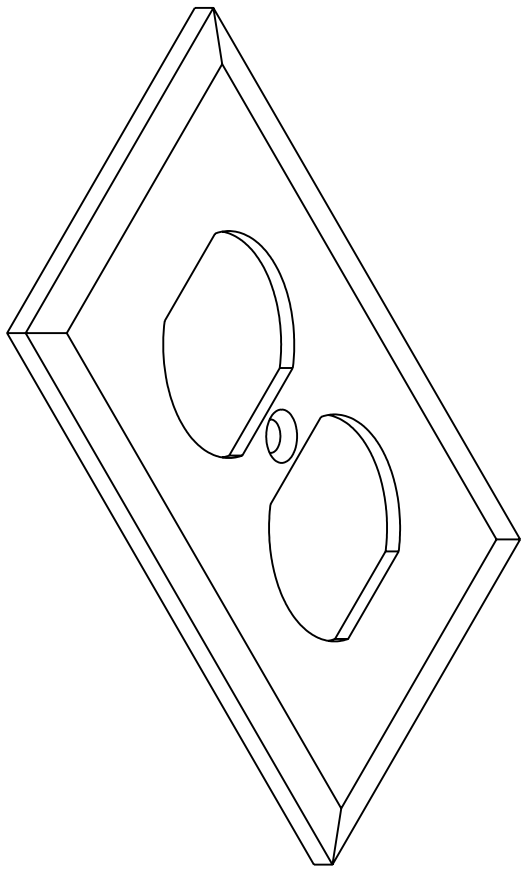
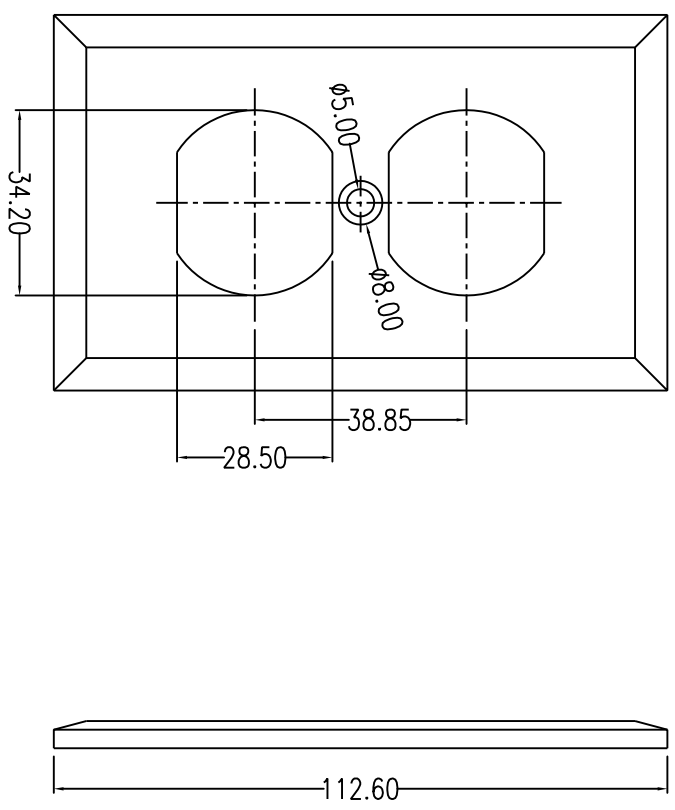


REVISIONS				
ZONE	REV	DESCRIPTION	DATE	APPROVED
	A			
	A			



MATERIAL
Housing: ABS, UL 94V-0
ENCLOSURE:
K81-6 x 12mm SCREW X 1

COLOR: WHITE, IVORY,.....
Temperature: -40°C ~ 68°C
Humidity: 10% ~ 90% RH

COMMON TOLERANCE		SHEET	OF	ALL COPY RIGHTS RESERVED	
CLASS	A	SIZE	A4	DCE DAN-CHIEF ENTERPRISE CO., LTD.	
DIMENSION		DIA	mm	TITLE	
L <= 3	±0.05			860-XX-F	
3 < L <= 6	±0.05	SCALE	2:3	DRAWING NO.	B-108
6 < L <= 16	±0.1	DATE	2004.10.26	DRAWN	CHECKED
16 < L <= 30	±0.1	DESIGN			
30 < L <= 120	±0.15				
120 < L <= 315	±0.2				