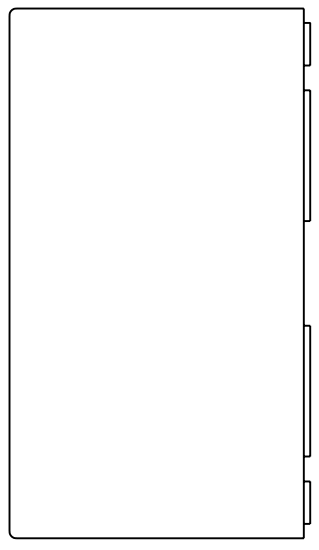
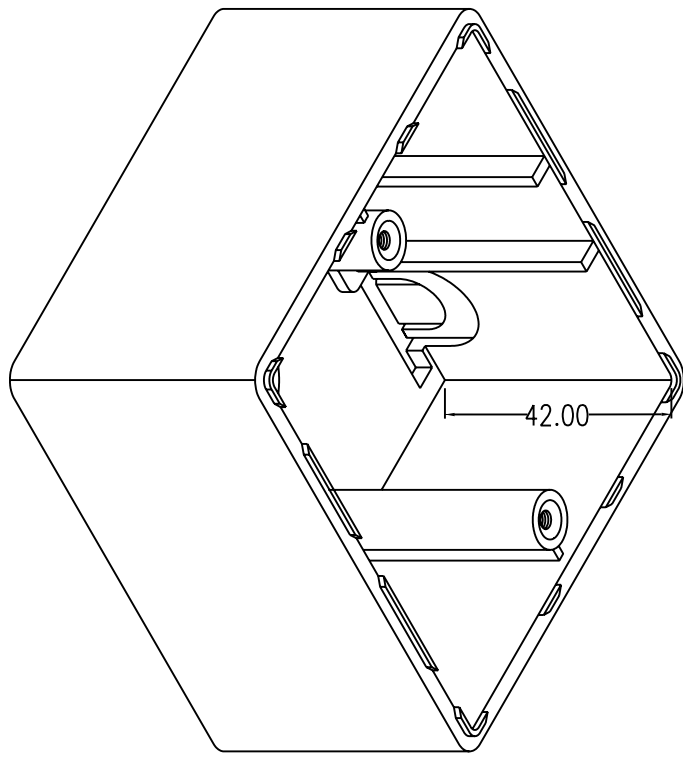
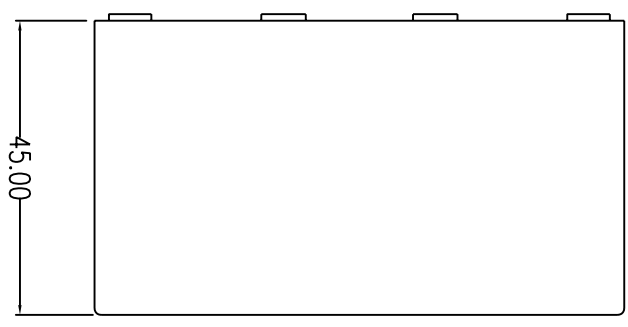
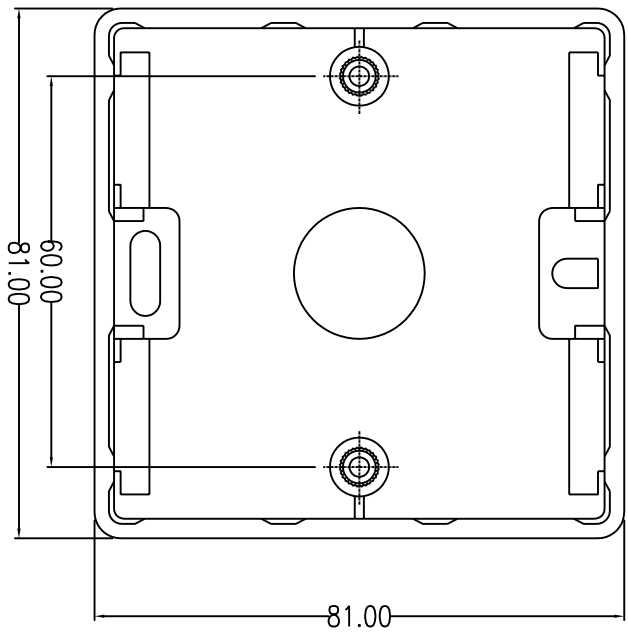


REVISIONS				
ZONE	REV	DESCRIPTION	DATE	APPROVED
	1			
	2			
	3			
	4			



MATERIALS: ABS UL94V-0
 COLOR: WHITE
 OPTIONS: IVORY.....
 ENCLOSURE: K2 4 X 16 mm SCREW X 2

COMMON TOLERANCE		SHEET	OF	ALL COPY RIGHTS RESERVED	
CLASS	A	SIZE	A4	DCE DAN-CHIEF ENTERPRISE CO., LTD.	
DIMENSION		DIA	mm	TITLE	
L <= 3	±0.05			625MB-12-XX-X	
3 < L <= 6	±0.05			DRAWING NO. B-187	
6 < L <= 16	±0.1	SCALE	4:5	DRAWN	
16 < L <= 30	±0.1	DATE	2004.04.01	CHECKED	
30 < L <= 120	±0.15	DESIGN			
120 < L <= 315	±0.2				