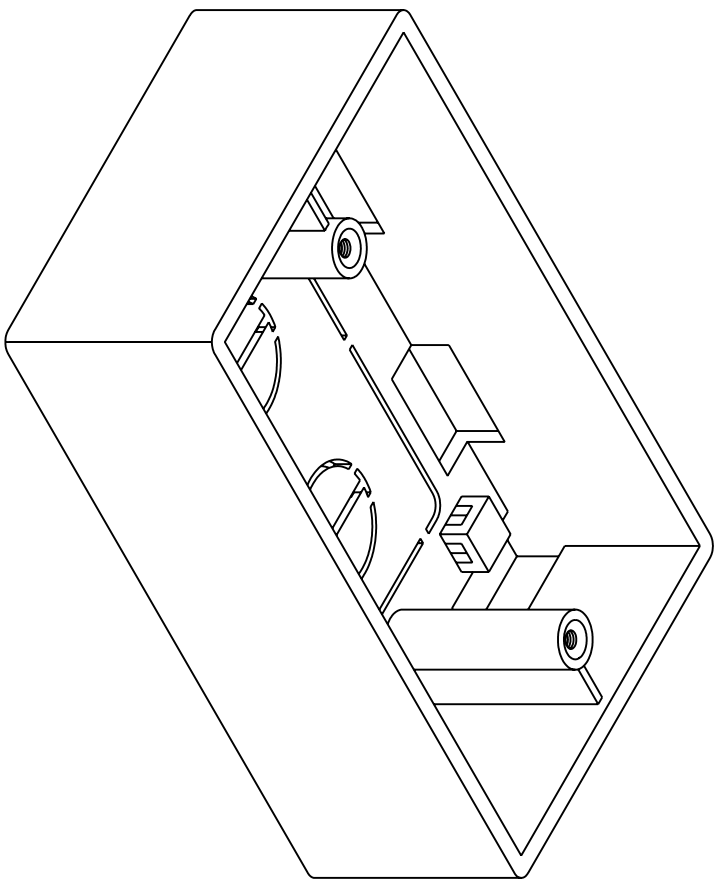
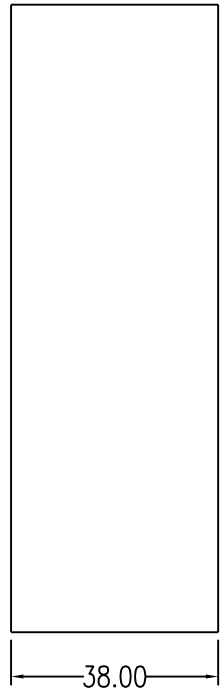
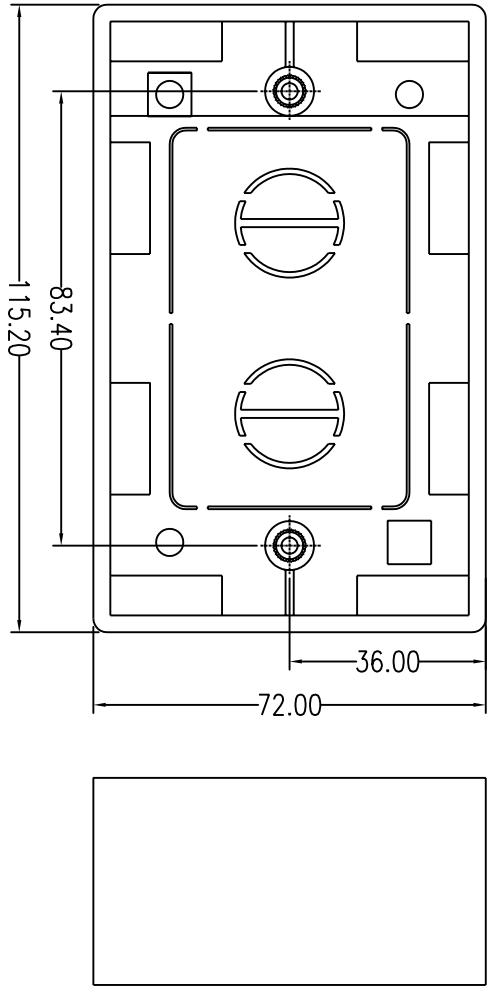


REVISIONS				
ZONE	REV	DESCRIPTION	DATE	APPROVED
	A			
	A			



MATERIALS: ABS UL94V-0
 COLOR: WHITE
 OPTIONS: IVORY.....
 ENCLOSURE: NYLON CABLE TIE X 2
 DOUBLE STICKER X 1 (110 X 65 mm)
 K5 6 X 20 mm SCREW X 2
 K4 6 X 25 mm SCREW X 2

COMMON TOLERANCE		SHEET	OF	ALL COPY RIGHTS RESERVED	
CLASS	A	SIZE	A4	DCE DAN-CHIEF ENTERPRISE CO., LTD.	
DIMENSION		DIA	mm	TITLE	
L <= 3	±0.05			625MB-11	
3 < L <= 6	±0.05	SCALE	3:2	DRAWING NO.	B-104
6 < L <= 16	±0.1	DATE	2004.02.11	DRAWN	CHECKED
16 < L <= 30	±0.15	DESIGN			
30 < L <= 120	±0.15				
120 < L <= 315	±0.2				