

Physical Specification

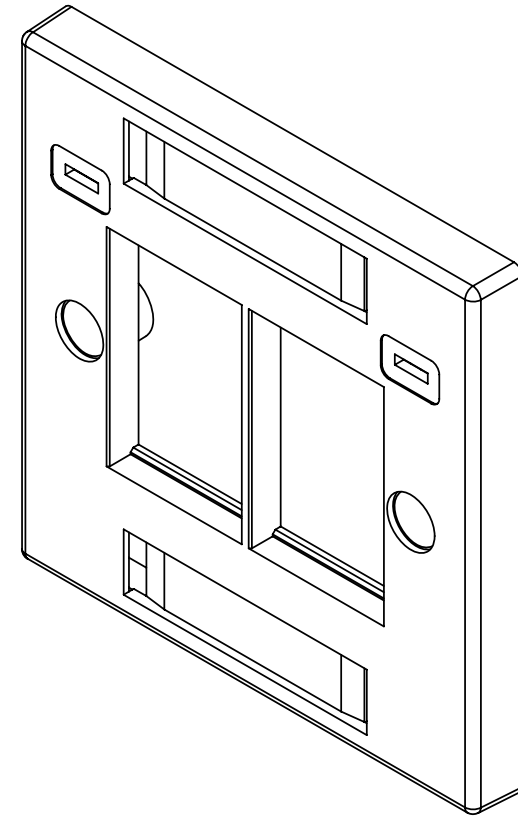
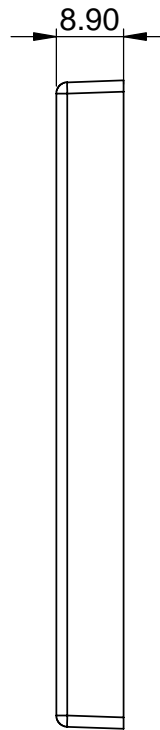
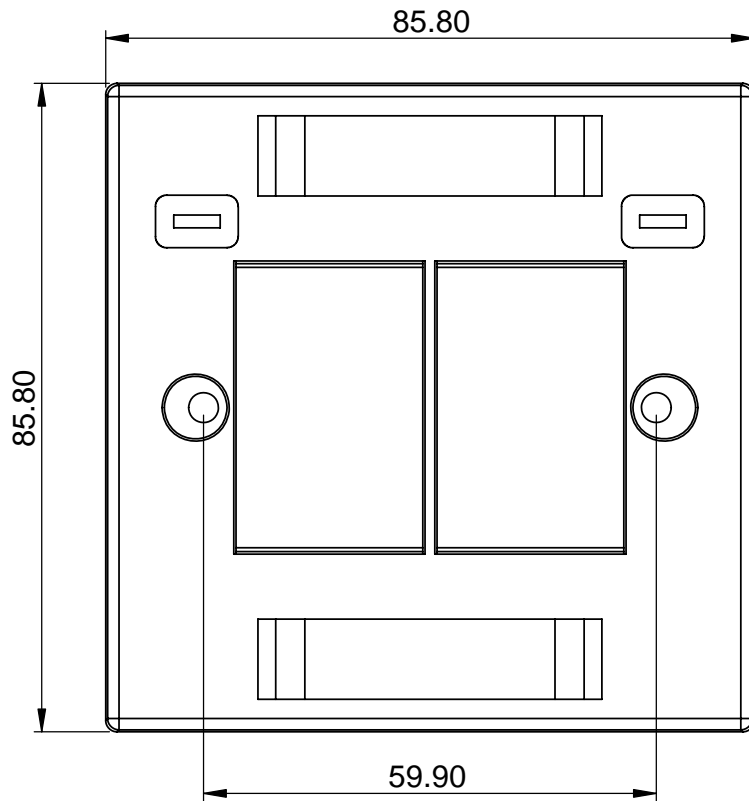
Plastic frame: ABS high-impact UL94V-0 thermoplastic

Enclosure

- I.D. Paper X 2 PCS
- Transparent I.D. Cover X 2 PCS
- I.D. Cover X 2 PCS
- I.D. Icon (PC) X 1 PCS
- I.D. Icon (TEL) X 1 PCS
- Screw (M3.5X30mm) X 2 PCS
- Screw Cap X 2 PCS

TOLERANCE				
~20	~50	~150	150~	ANGLE
±0.20	±0.40	±0.50	±1.50	±2°

Scale	1:1	ALL COPY RIGHTS RESERVED	
3rd Angle Projection		DAN-CHIEF ENTERPRISE CO.,LTD.	
Unit	mm	Title	
Material		625B52I-1-XX-F	
Color		Drawn by	Checked by
Date	2006/2/16	Allen Li	



Physical Specification

Plastic frame: ABS high-impact UL94V-0 thermoplastic

Enclosure

- I.D. Paper X 2 PCS
- Transparent I.D. Cover X 2 PCS
- I.D. Cover X 2 PCS
- I.D. Icon (PC) X 2 PCS
- I.D. Icon (TEL) X 2 PCS
- Screw (M3.5X30mm) X 2 PCS
- Screw Cap X 2 PCS

TOLERANCE					ANGLE
~20	~50	~150	150~		
±0.20	±0.40	±0.50	±1.50	±2°	

Scale	1:1	ALL COPY RIGHTS RESERVED	
3rd Angle Projection		DAN-CHIEF ENTERPRISE CO.,LTD.	
Unit	mm	Title	
Material		625B52I-2-XX-F	
Color		Drawn by	Checked by
Date	2006/2/16	Allen Li	