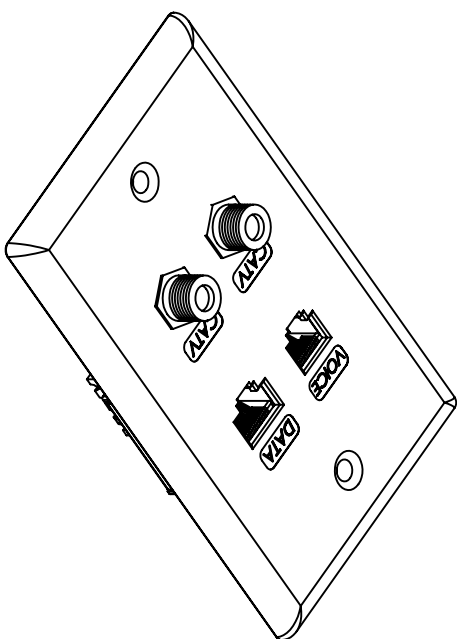


| REVISIONS | | | | |
|-----------|-----|-------------|------|----------|
| ZONE | REV | DESCRIPTION | DATE | APPROVED |
| | A | | | |
| | A | | | |

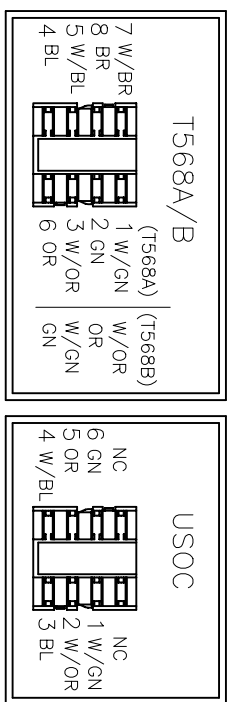
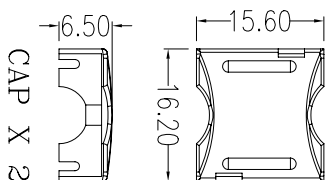


Cat 5e
UL CERTIFIED



US LISTED

ACCORDING TO TIA/EIA-568-B-2
REQUIREMENTS
FILE NO. E145249



ENCLOSURE PARTS:



MATERIAL

- Front Plate: ABS, UL 94V-0
- IDC plastic: PC, UL 94V-0
- IDC contact: Phosphor Bronze with 200u " Tin over 100u" Nickel undercoat
- Spring Wire: Phosphor Bronze with 50u " Gold over 100u" Nickel undercoat
- Temperature: -40°C ~ 70
- Humidity: 10% ~ 90% RH
- Front Socket: 750 mating cycles
- Idc block: 200 termination cycles

ELECTRICAL

- Current rating: 1.5 Amps
- Insulation resistance: 500 MOhm
- Contact resistance: 20 mOhm
- DC resistanc: 0.1 Ohm
- Dielectric withstanding voltage: 1000 V
- F Connector
- Voltage rating: AC 150V
- Withstanding voltage: AC 500V one minute
- Contact resistance: 5mΩ at DC 1A
- Impedance: 75Ω nominal
- VSWR: 1.2max.0-1, 500MHZ
- Insulation resistance: 500MΩ min at DC 500V

| COMMON TOLERANCE | | SHEET OF | | ALL COPY RIGHTS RESERVED | |
|------------------|-------|----------|--------|--------------------------|--------------------------------|
| CLASS | A | B | SIZE | A4 | DAN-CHIEF ENTERPRISE CO., LTD. |
| DIMENSION | ±0.05 | ±0.1 | DIA | mm | TITLE |
| L <= 3 | ±0.05 | ±0.1 | SCALE | 3:5 | 625B48-1V1D2F-C5e-XX |
| 3 < L <= 6 | ±0.05 | ±0.1 | DATE | 2004.02.18 | DRAWING NO. B-179 |
| 6 < L <= 16 | ±0.1 | ±0.15 | DESIGN | | CHECKED |
| 16 < L <= 30 | ±0.1 | ±0.2 | | | |
| 30 < L <= 120 | ±0.15 | ±0.3 | | | |
| 120 < L <= 315 | ±0.2 | ±0.5 | | | |