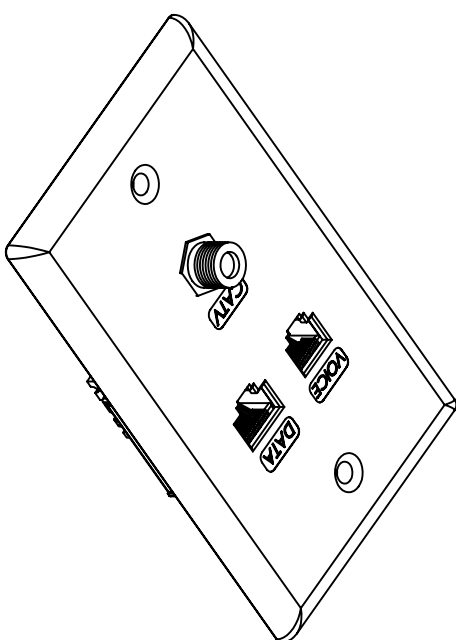
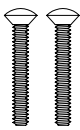


REVISIONS				
ZONE	REV	DESCRIPTION	DATE	APPROVED
	A			
	A			



ENCLOSURE PARTS:



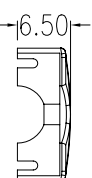
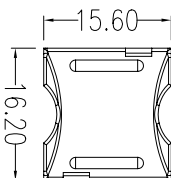
K4 6 X 25mm SCREW X 2

MATERIAL

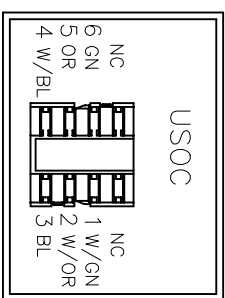
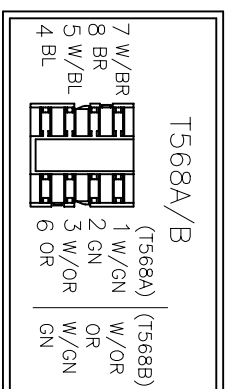
- Front Plate: ABS, UL 94V-0
- IDC plastic: PC, UL 94V-0
- IDC contact: Phosphor Bronze with 200u
- " Tin over 100u" Nickel undercoat
- Spring Wire: Phosphor Bronze with 50u
- " Gold over 100u" Nickel undercoat
- Temperature: -40°C ~ 70
- Humidity: 10% ~ 90% RH
- Front Socket: 750 mating cycles
- Idc block: 200 termination cycles

ELECTRICAL

- Current rating: 1.5 Amps
- Insulation resistance: 500 MOhm
- Contact resistance: 20 mOhm
- DC resistance: 0.1 Ohm
- Dielectric withstanding voltage: 1000 V
- F Connector
- Voltage rating: AC 150V
- Withstanding voltage: AC 500V one minute
- Contact resistance: 5mΩ at DC 1A
- Impedance: 75Ω nominal
- VSWR: 1.2max.0-1, 500MHz
- Insulation resistance: 500MΩ min at DC 500V



CAP X 2



Cat 5e
UL CERTIFIED



ACCORDING TO TIA/EIA-568-B-2
REQUIREMENTS
FILE NO. E145249

COMMON TOLERANCE		SHEET		ALL COPY RIGHTS RESERVED	
CLASS	A	B	OF	OF	TITLE
DIMENSION	±0.05	±0.1	A4	mm	DAN-CHIEF ENTERPRISE CO., LTD.
L <= 3	±0.05	±0.1	SCALE	3:5	625B48-1V1D1F-C5e-XX
3 < L <= 6	±0.05	±0.1	DATE	2004.02.18	DRAWING NO. B-178
6 < L <= 16	±0.1	±0.15	DESIGN		DRAWN
16 < L <= 30	±0.1	±0.2	CHECKED		
30 < L <= 120	±0.15	±0.3			
120 < L <= 315	±0.2	±0.5			