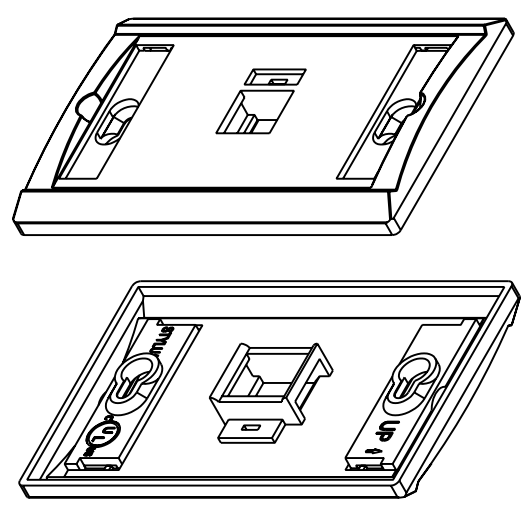
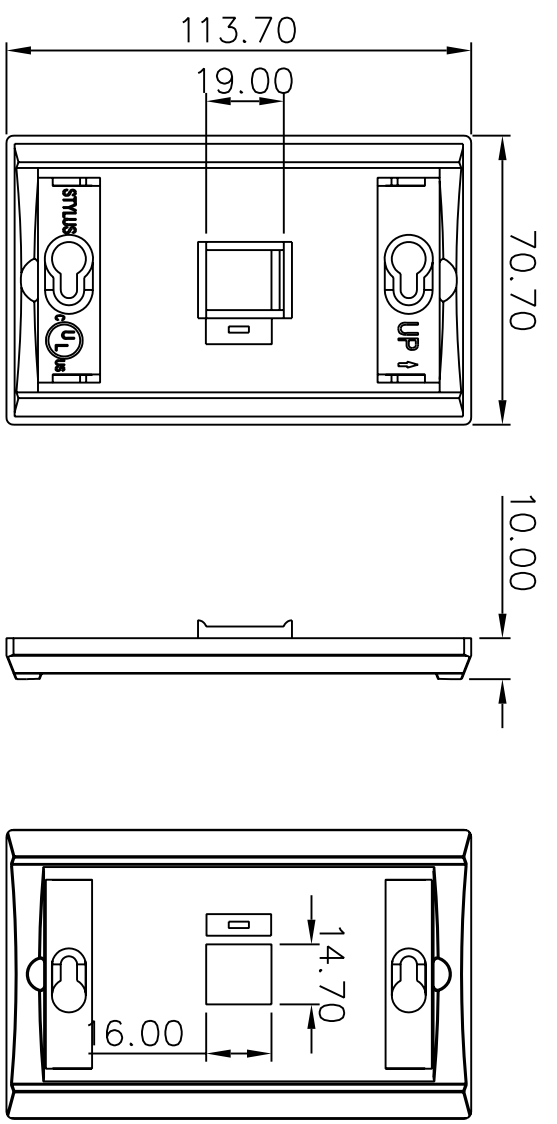


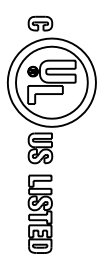


REVISIONS				
ZONE	REV	DESCRIPTION	DATE	APPROVED
	A			
	A			



MATERIALS: ABS UL94V-0  
 COLOR: WHITE,IVORY.....  
 ENCLOSURE:

- K4 6x25mm SCREW X 2 
- CLEAR COVER X 2 PCS 
- WHITE PAPER X 1 PCS
- IL-8 X 1 SET

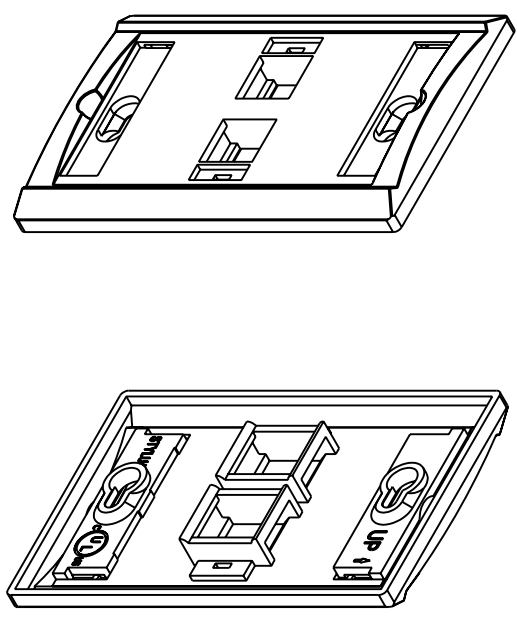
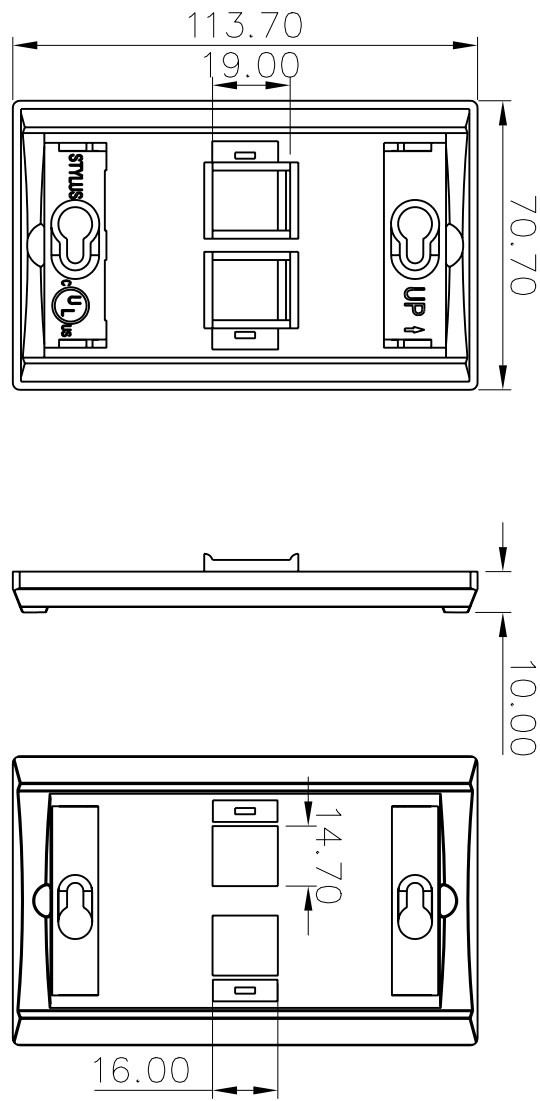


Attached icon:



- LINE1 X 1PCS
- VOICE X 1PCS
- FAX X 1PCS
- PRINTER X 1PCS
- LAN X 1PCS
- Rx X 1PCS
- LINE2 X 1PCS
- DATA X 2PCS
- MODEM X 1PCS
- AUX X 1PCS
- Tx X 1PCS

COMMON TOLERANCE		SHEET	OF	ALL COPY RIGHTS RESERVED	
CLASS	A	SIZE	A4	DCE DAN-CHIEF ENTERPRISE CO.,LTD.	
DIMENSION		DIA	mm	TITLE	
L<=3	±0.05			625B39A1-1-XX	
3<L<=6	±0.05	SCALE	1:2	DRAWING NO. B-150	
6<L<=16	±0.1	DATE	2005.01.13	DRAWN	
16<L<=30	±0.1	DESIGN		CHECKED	
30<L<=120	±0.15				
120<L<=315	±0.2				

REVISIONS				
ZONE	REV	DESCRIPTION	DATE	APPROVED
	A			
	A			



MATERIALS: ABS UL94V-0  
 COLOR: WHITE,IVORY.....  
 ENCLOSURE:

- K4 6x25mm SCREW X 2 
- CLEAR COVER X 2 PCS 
- WHITE PAPER X 1 PCS
- IL-8 X 1 SET

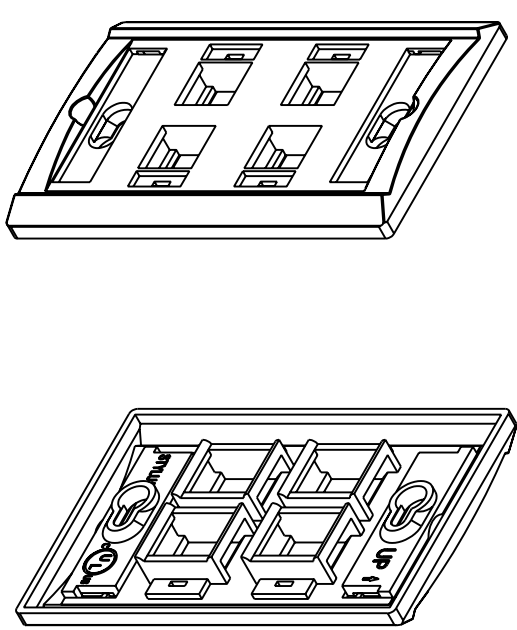
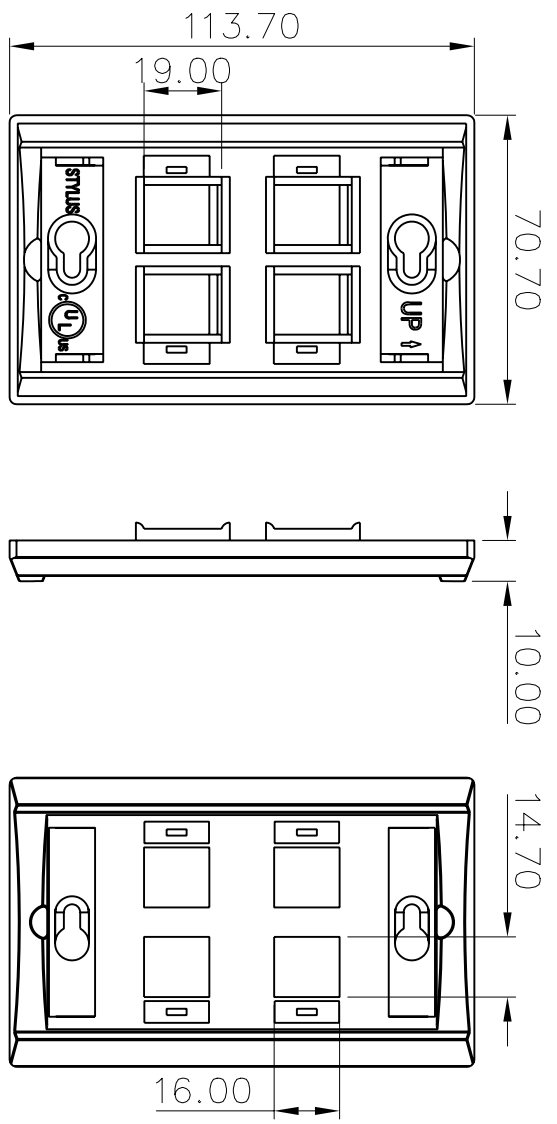


Attached icon:



- |                |              |
|----------------|--------------|
| LINE1 X 1PCS   | LINE2 X 1PCS |
| VOICE X 1PCS   | DATA X 2PCS  |
| FAX X 1PCS     | MODEM X 1PCS |
| PRINTER X 1PCS | AUX X 1PCS   |
| LAN X 1PCS     | Tx X 1PCS    |
| Rx X 1PCS      |              |

COMMON TOLERANCE		SHEET	OF	ALL COPY RIGHTS RESERVED	
CLASS	A	SIZE	A4	DCE DAN-CHIEF ENTERPRISE CO.,LTD.	
DIMENSION		DIA	mm	TITLE	
L<=3	±0.05			625B39A1-2-XX	
3<L<=6	±0.05	SCALE	1:2	DRAWING NO. B-151	
6<L<=16	±0.1	DATE	2005.01.13	DRAWN	
16<L<=30	±0.1	DESIGN		CHECKED	
30<L<=120	±0.15				
120<L<=315	±0.2				

REVISIONS				
ZONE	REV	DESCRIPTION	DATE	APPROVED
	A			
	A			



MATERIALS: ABS UL94V-0  
 COLOR: WHITE,IVORY.....  
 ENCLOSURE:

- K4 6x25mm SCREW X 2 
- CLEAR COVER X 2 PCS 
- WHITE PAPER X 1 PCS
- IL-8 X 1 SET

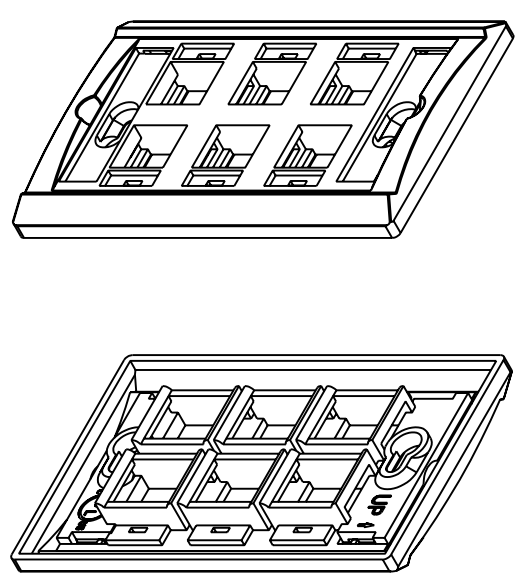
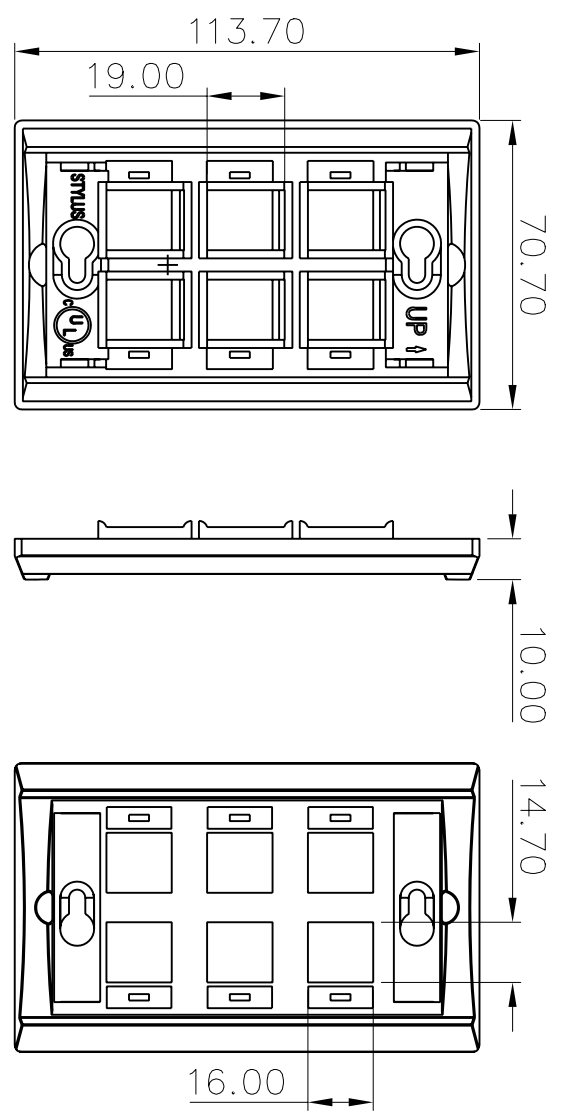


Attached icon:



- LINE1 X 1PCS
- VOICE X 1PCS
- FAX X 1PCS
- PRINTER X 1PCS
- LAN X 1PCS
- Rx X 1PCS
- LINE2 X 1PCS
- DATA X 2PCS
- MODEM X 1PCS
- AUX X 1PCS
- Tx X 1PCS

COMMON TOLERANCE		SHEET	OF	ALL COPY RIGHTS RESERVED	
CLASS	A	SIZE	A4	DCE DAN-CHIEF ENTERPRISE CO.,LTD.	
DIMENSION		DIA	mm	TITLE	
L<=3	±0.05			625B39A1-4-XX	
3<L<=6	±0.05	SCALE	1:2	DRAWING NO.	B-152
6<L<=16	±0.1	DATE	2005.01.13	DRAWN	CHECKED
16<L<=30	±0.1	DESIGN			
30<L<=120	±0.15				
120<L<=315	±0.2				

REVISIONS				
ZONE	REV	DESCRIPTION	DATE	APPROVED
	A			
	A			



MATERIALS: ABS UL94V-0  
 COLOR: WHITE,IVORY.....  
 ENCLOSURE:

- K4 6x25mm SCREW X 2 
- CLEAR COVER X 2 PCS 
- WHITE PAPER X 1 PCS
- IL-8 X 1 SET



Attached icon:

- LINE1 X 1PCS
- VOICE X 1PCS
- FAX X 1PCS
- PRINTER X 1PCS
- LAN X 1PCS
- Rx X 1PCS
- LINE2 X 1PCS
- DATA X 2PCS
- MODEM X 1PCS
- AUX X 1PCS
- Tx X 1PCS

COMMON TOLERANCE		SHEET	OF	ALL COPY RIGHTS RESERVED	
CLASS	A	SIZE	A4	DCE DAN-CHIEF ENTERPRISE CO.,LTD.	
DIMENSION		DIA	mm	TITLE	
L<=3	±0.05			625B39A1-6-XX	
3<L<=6	±0.05	SCALE	1:2	DRAWING NO. B-153	
6<L<=16	±0.1	DATE	2005.01.13	DRAWN	
16<L<=30	±0.1	DESIGN		CHECKED	
30<L<=120	±0.15				
120<L<=315	±0.2				