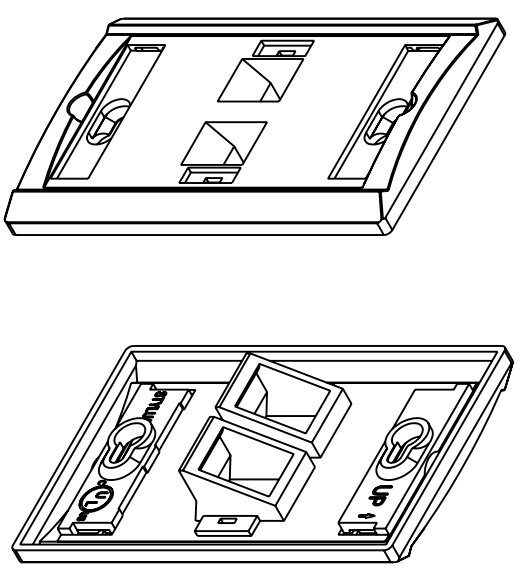
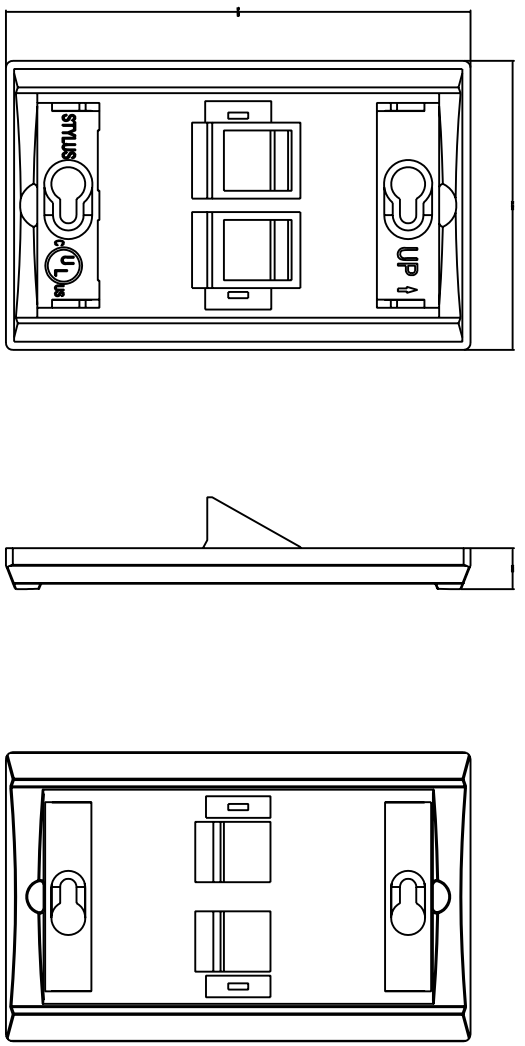


REVISIONS				
ZONE	REV	DESCRIPTION	DATE	APPROVED
	A			
	A			



MATERIALS: ABS UL94V-0

COLOR: WHITE,IVORY.....

ENCLOSURE:

K4 6x25mm SCREW X 2 

CLEAR COVER X 2 PCS 

WHITE PAPER X 1 PCS

IL-8 X 1 SET

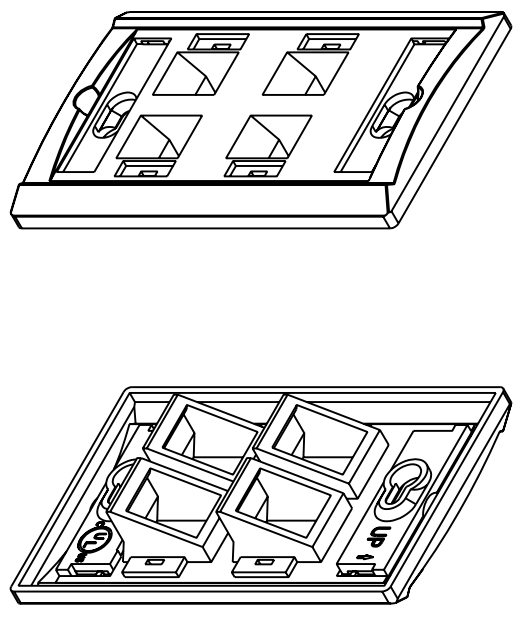
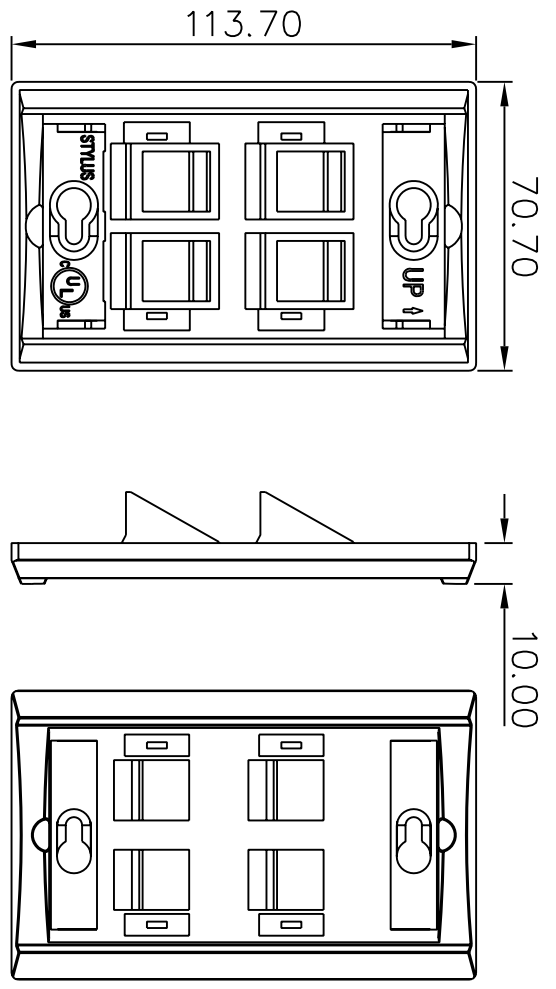
Attached icon:

LINE1	X	1PCS	LINE2	X	1PCS
VOICE	X	1PCS	DATA	X	2PCS
FAX	X	1PCS	MODEM	X	1PCS
PRINTER	X	1PCS	AUX	X	1PCS
LAN	X	1PCS	Tx	X	1PCS
Rx	X	1PCS			





COMMON TOLERANCE		SHEET	OF	ALL COPY RIGHTS RESERVED	
CLASS	A	SIZE	A4	DCE DAN-CHIEF ENTERPRISE CO.,LTD.	
DIMENSION		DIA	mm	TITLE	
L<=3	±0.05			625B38A1-2-XX	
3<L<=6	±0.05	SCALE	1:2	DRAWING NO. B-148	
6<L<=16	±0.1	DATE	2005.01.13	DRAWN	
16<L<=30	±0.1	DESIGN		CHECKED	
30<L<=120	±0.15				
120<L<=315	±0.2				

REVISIONS				
ZONE	REV	DESCRIPTION	DATE	APPROVED
	A			
	A			



MATERIALS: ABS UL94V-0
 COLOR: WHITE,IVORY.....
 ENCLOSURE:

- K4 6x25mm SCREW X 2 
- CLEAR COVER X 2 PCS 
- WHITE PAPER X 1 PCS
- IL-8 X 1 SET

Attached icon:

- | | |
|----------------|--------------|
| LINE1 X 1PCS | LINE2 X 1PCS |
| VOICE X 1PCS | DATA X 2PCS |
| FAX X 1PCS | MODEM X 1PCS |
| PRINTER X 1PCS | AUX X 1PCS |
| LAN X 1PCS | Tx X 1PCS |
| Rx X 1PCS | |

COMMON TOLERANCE		SHEET	OF	ALL COPY RIGHTS RESERVED	
CLASS	A	SIZE	A4	DCE DAN-CHIEF ENTERPRISE CO.,LTD.	
DIMENSION		DIA	mm	TITLE	
L<=3	±0.05			625B38A1-4-XX	
3<L<=6	±0.05	SCALE	1:2	DRAWING NO. B-149	
6<L<=16	±0.1	DATE	2005.01.13	DRAWN	
16<L<=30	±0.1	DESIGN		CHECKED	
30<L<=120	±0.15				
120<L<=315	±0.2				

