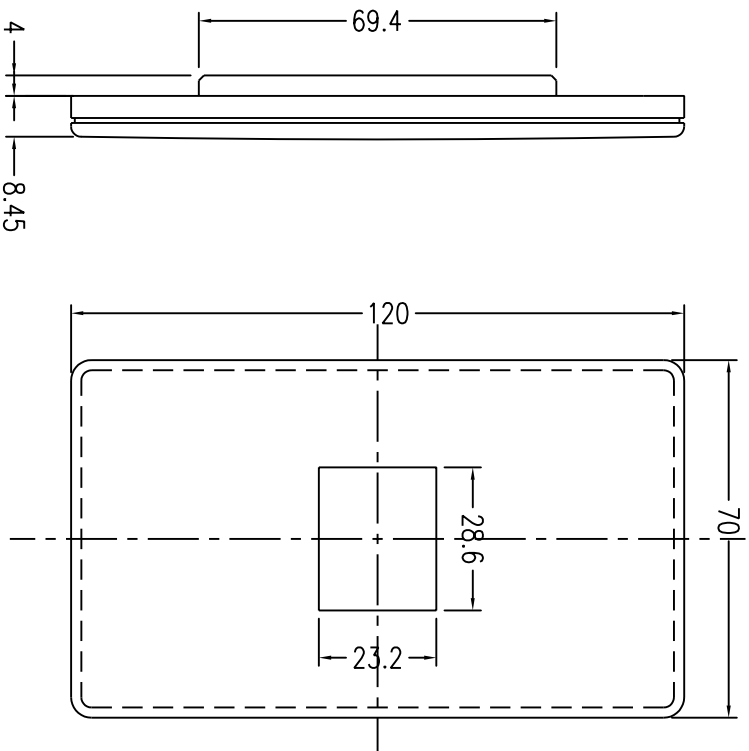
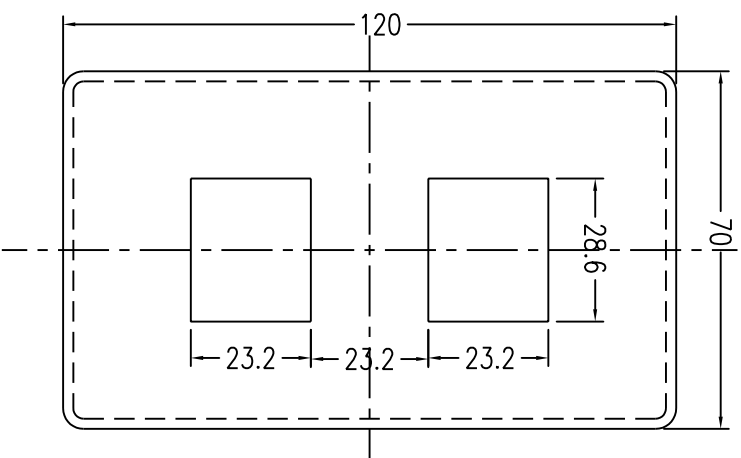


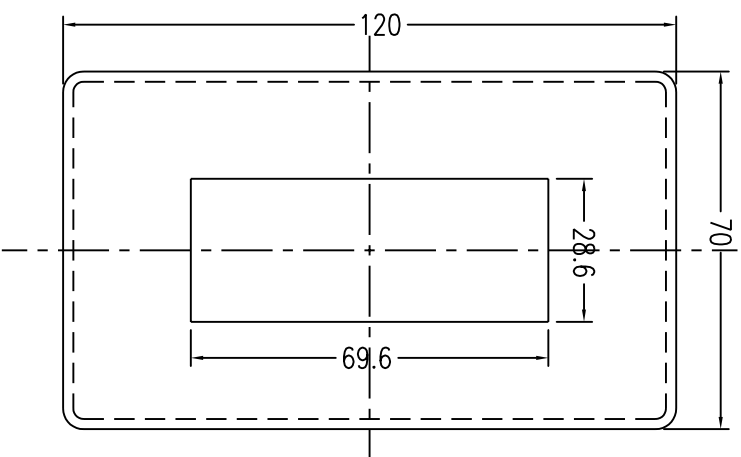
REVISIONS			
ZONE/REV	DESCRIPTION	DATE	APPROVED




625B31-1



625B31-2



625B31-3

COMMON TOLERANCE		SHEET 1 OF 1		ALL COPY RIGHTS RESERVED	
CLASS	A	B	SIZE	A4	 DAN-CHIEF ENTERPRISE CO.,LTD.
DIMENSION	L ≤ 3 ±0.07 ±0.1	3 < L ≤ 6 ±0.05 ±0.1	UNIT:	mm	
	6 < L ≤ 16 ±0.1 ±0.15	16 < L ≤ 30 ±0.1 ±0.2	SCALE:	free	TITLE
	30 < L ≤ 120 ±0.15 ±0.3	120 < L ≤ 315 ±0.2 ±0.5	2002.08.22	DRAWING NO.	625B31-1,2,3
			DESIGN	DRAWN	B-140
				CHECKED	