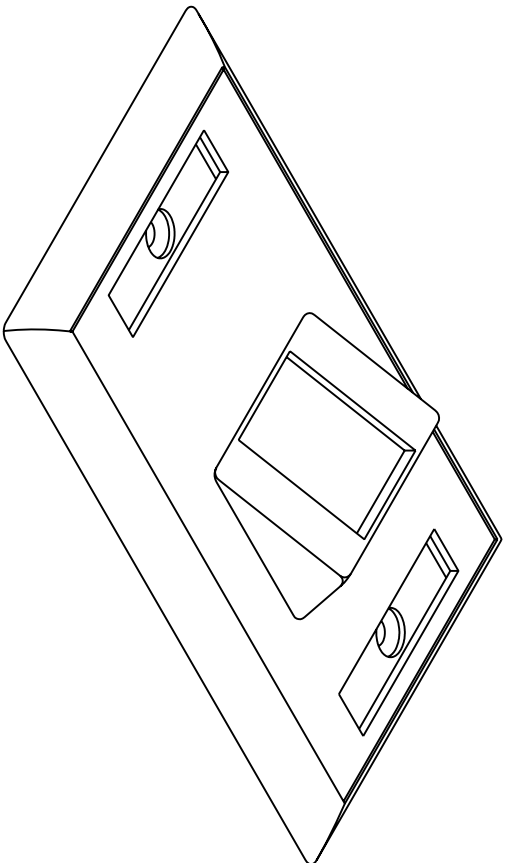




REVISIONS				
ZONE	REV	DESCRIPTION	DATE	APPROVED
	Δ			
	Δ			
	A			

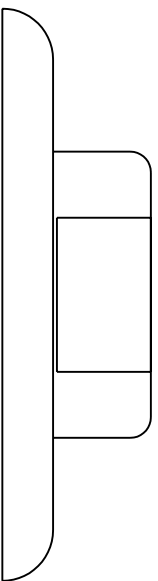
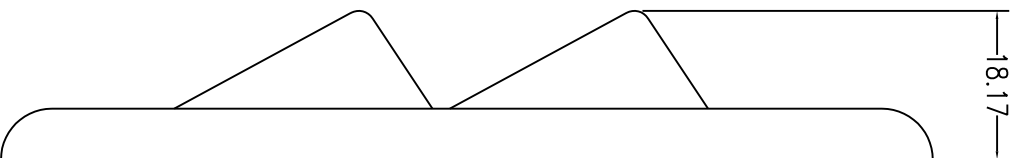
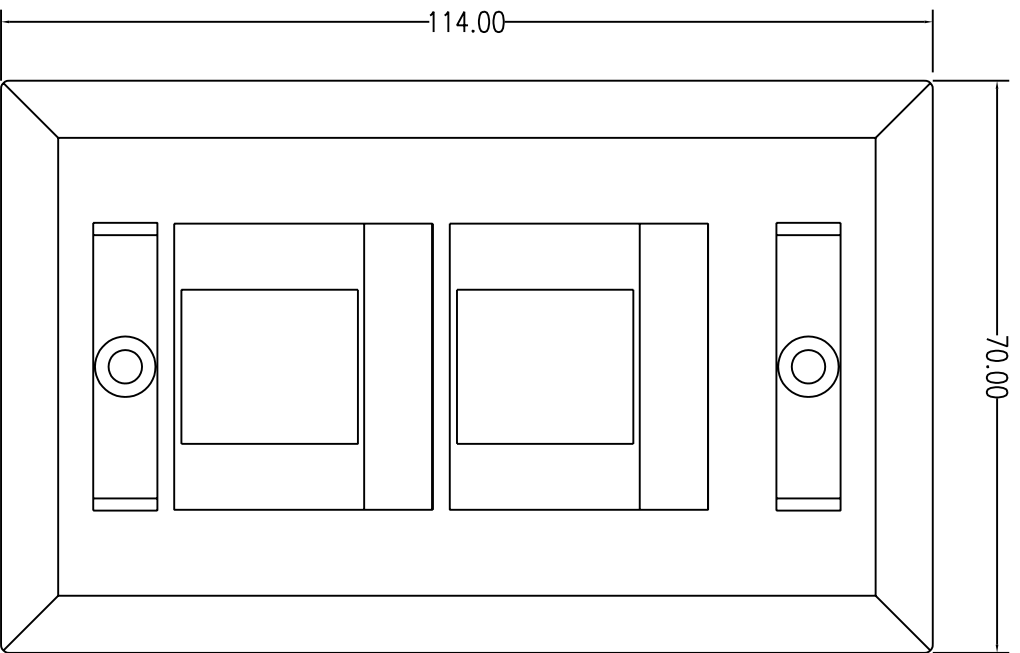


MATERIAL:
 Housing: ABS, UL 94V-0
 COLOR: WHITE, IVORY

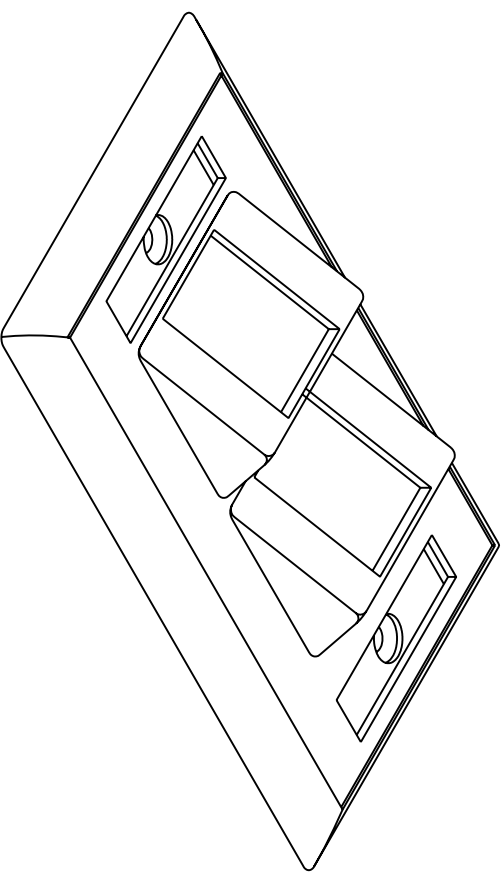
Temperature: -40°C ~ 68°C
 Humidity: 10% ~ 90% RH



ENCLOSURE:
 K4 6 x 25mm SCREW X 2 PCS 
 WHITE PAPER X 2 PCS
 CLEAR COVER X 2 PCS 

COMMON TOLERANCE		SHEET	OF	ALL COPY RIGHTS RESERVED	
CLASS	A	SIZE	A4	DCE DAN-CHIEF ENTERPRISE CO., LTD.	
DIMENSION		DIA	mm	TITLE	
L <= 3	±0.05			625B27-1-XX-X	
3 < L <= 6	±0.05			DRAWING NO. B-051	
6 < L <= 16	±0.1	SCALE	1:1	DATE 1999.03.18	
16 < L <= 30	±0.1			DESIGN	
30 < L <= 120	±0.15			DRAWN	
120 < L <= 315	±0.2			CHECKED	



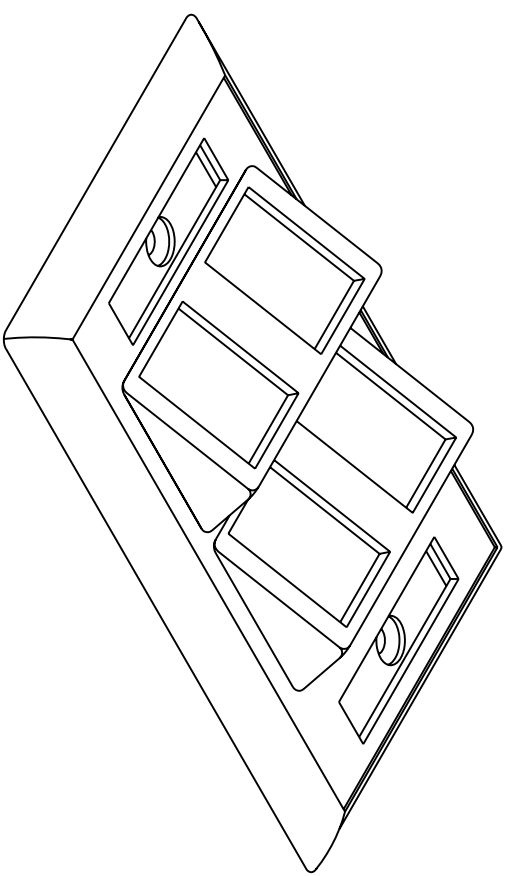
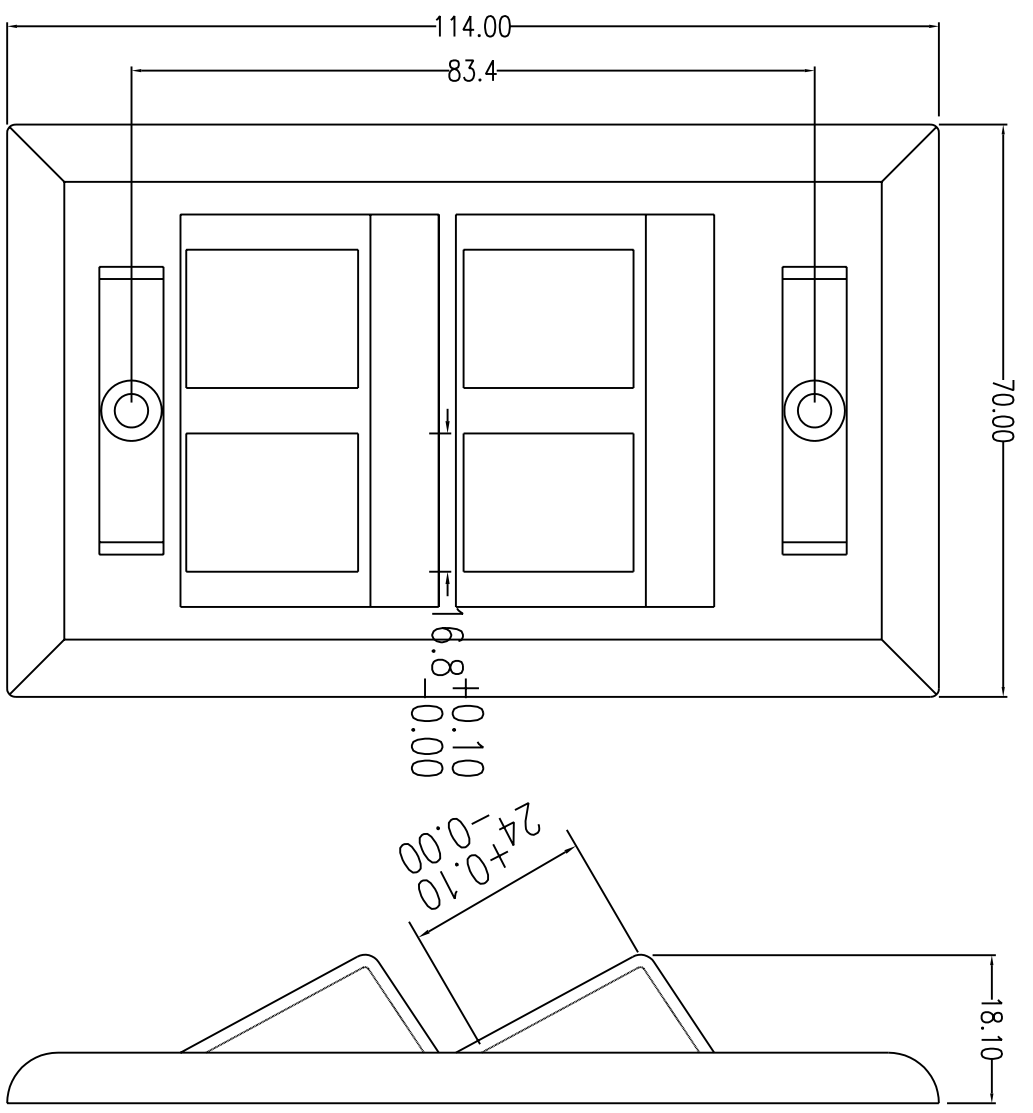
REVISIONS				
ZONE	REV	DESCRIPTION	DATE	APPROVED
	1			
	2			
	3			
	4			





MATERIAL:
 Housing: ABS, UL 94V-0
 COLOR: WHITE,IVORY.....
 Temperature: -40°C ~ 68°C
 Humidity: 10% ~ 90% RH
ENCLOSURE:
 K4 6 x 25mm SCREW X 2 PCS 
 WHITE PAPER X 2 PCS
 CLEAR COVER X 2 PCS 

COMMON TOLERANCE		SHEET	OF	ALL COPY RIGHTS RESERVED	
CLASS	A	SIZE	A4	DCE DAN-CHIEF ENTERPRISE CO.,LTD.	
DIMENSION	±0.05	DIA	mm	TITLE	
L <= 3	±0.1	SCALE	1:1	625B27-2-XX-X	
3 < L <= 6	±0.05	DATE	1999.03.18	DRAWING NO.	B-052
6 < L <= 16	±0.1	DESIGN		DRAWN	CHECKED
16 < L <= 30	±0.1				
30 < L <= 120	±0.15				
120 < L <= 315	±0.2				

REVISIONS				
ZONE	REV	DESCRIPTION	DATE	APPROVED
	A			
	A			



MATERIAL:
Housing: ABS, UL 94V-0
COLOR: WHITE, IVORY.....
Temperature: -40°C ~ 68°C
Humidity: 10% ~ 90% RH

ENCLOSURE:
K4 6 x 25mm SCREW X 2 PCS 
WHITE PAPER X 2 PCS
CLEAR COVER X 2 PCS 

COMMON TOLERANCE		SHEET	OF	ALL COPY RIGHTS RESERVED	
CLASS	A	SIZE	A4	DCE DAN-CHIEF ENTERPRISE CO., LTD.	
DIMENSION	±0.05	DIA	mm	TITLE	
L <= 3	±0.1	SCALE	1:1	625B27-4-XX-X	
3 < L <= 6	±0.05	DATE	2002.06.17	DRAWING NO.	B-053-2
6 < L <= 16	±0.1	DESIGN		DRAWN	CHECKED
16 < L <= 30	±0.1				
30 < L <= 120	±0.15				
120 < L <= 315	±0.2				

