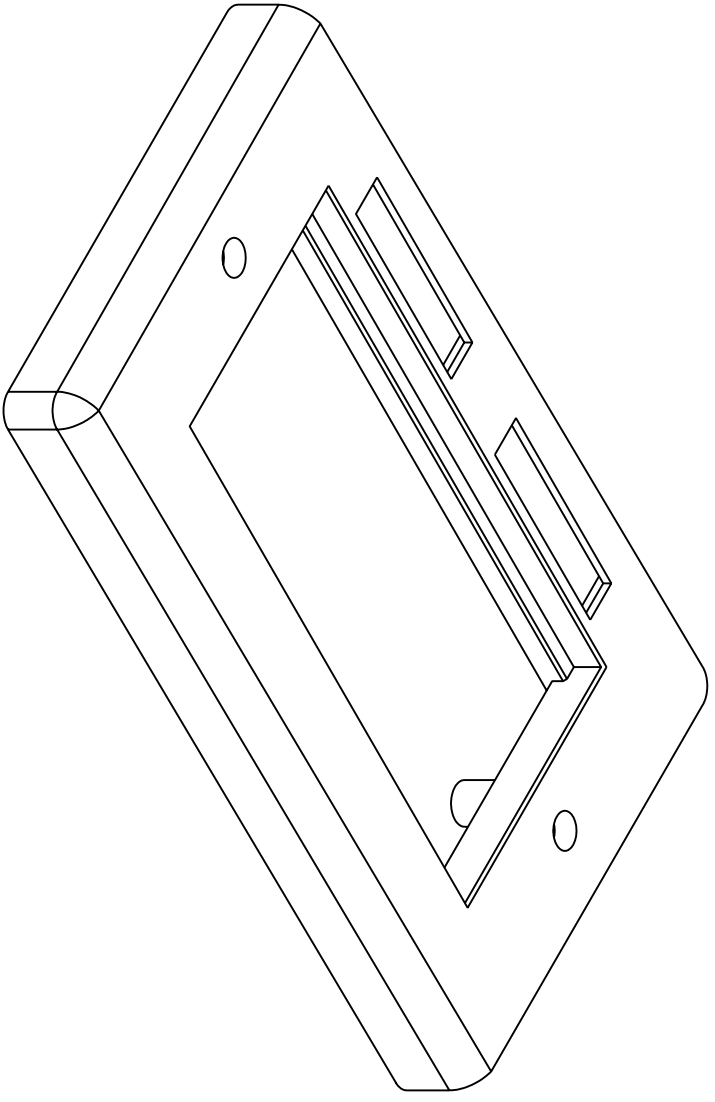
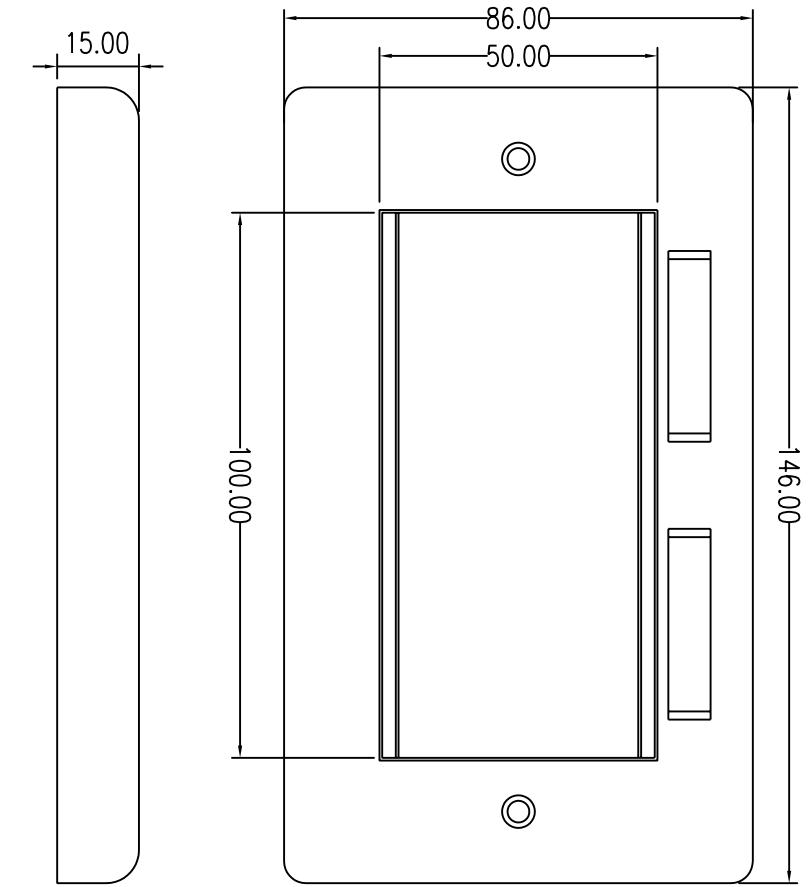


REVISIONS				
ZONE	REV	DESCRIPTION	DATE	APPROVED



MATERIALS: ABS UL94V-0  
 COLOR: WHITE  
 OPTIONS: IVORY.....  
 ENCLOSURE: K4 3.5 X 30 mm SCREW X 2  
 WHITE PAPER X 2  
 CLEAR COVER X 2

COMMON TOLERANCE			SHEET 1 OF 1	ALL COPY RIGHTS RESERVED	
CLASS	A	B	SIZE	DCE DAN-CHIEF ENTERPRISE CO.,LTD.	
DIMENSION			A4	TITLE	
L<=3	±0.05	±0.1	DIA	625B21AF-XX-X	
3<L<=6	±0.05	±0.1	SCALE	DRAWING NO. B-031	
6<L<=16	±0.1	±0.15	DATE	FEB.14.2000	
16<L<=30	±0.1	±0.2	DESIGN	DRAWN	
30<L<=120	±0.15	±0.3	CHECKED		
120<L<=315	±0.2	±0.5			