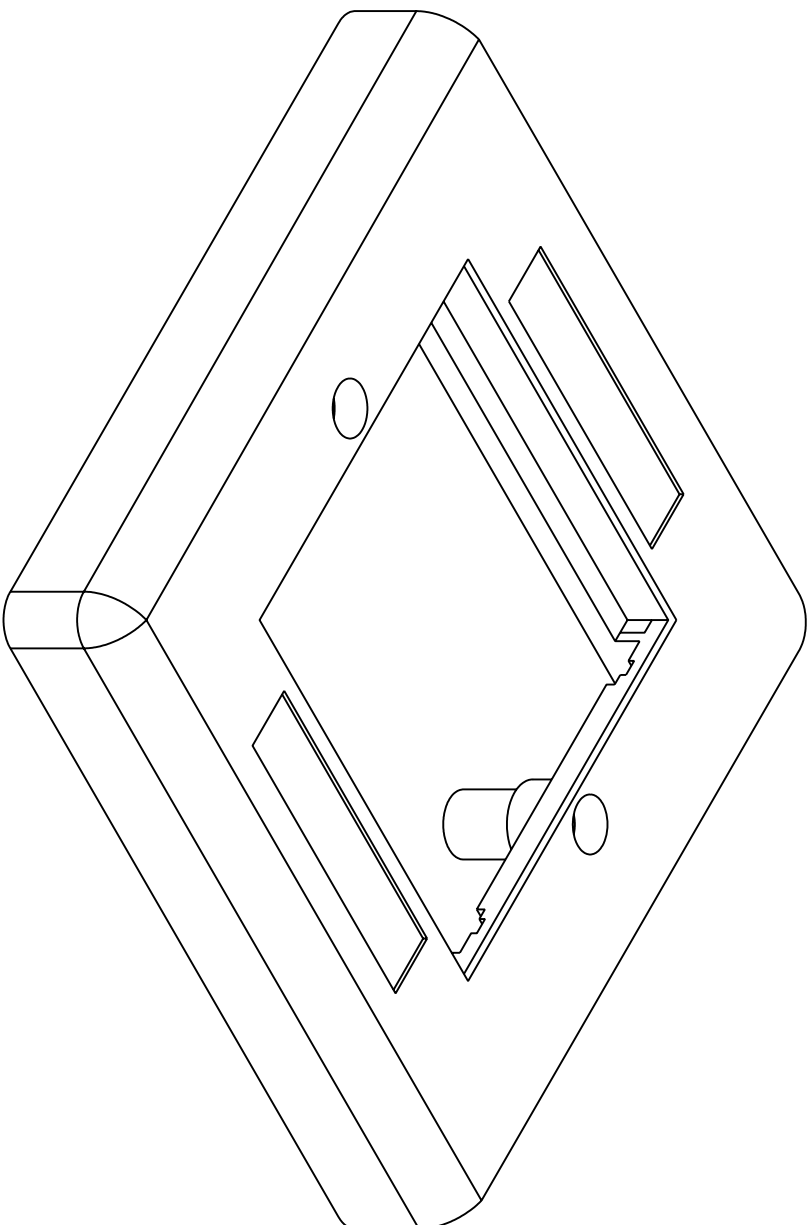
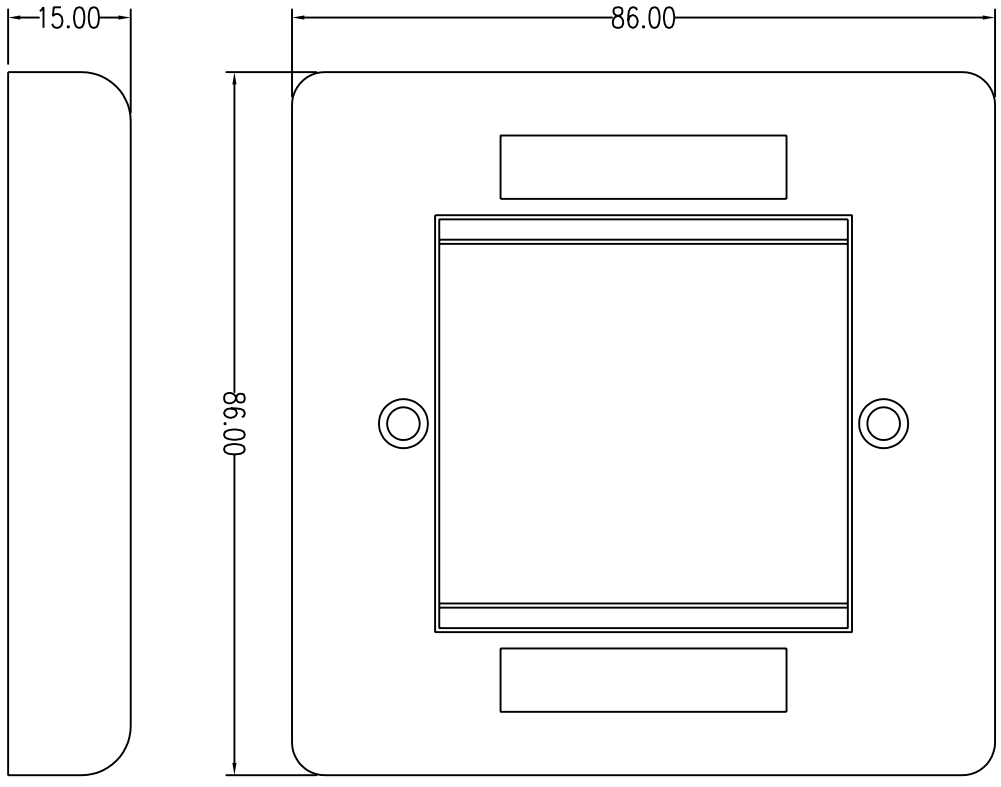


REVISIONS		
ZONE	REV	DESCRIPTION
		DATE
		APPROVED



MATERIALS: ABS UL94V-0
 COLOR: WHITE
 OPTIONS: IVORY.....
 ENCLOSURE: K4 3.5 X 30 mm SCREW X 2

COMMON TOLERANCE		SHEET 1 OF 1	ALL COPY RIGHTS RESERVED	
CLASS	A	SIZE	DCE DAN-CHIEF ENTERPRISE CO.,LTD.	
DIMENSION		A4	TITLE	
L<=3	±0.05	DIA	625B20F-XX-X	
3<L<=6	±0.05	SCALE	DRAWING NO. B-030	
6<L<=16	±0.1	DATE	JAN 27 2000	
16<L<=30	±0.1	DESIGN	DRAWN	
30<L<=120	±0.15	CHECKED		
120<L<=315	±0.2			