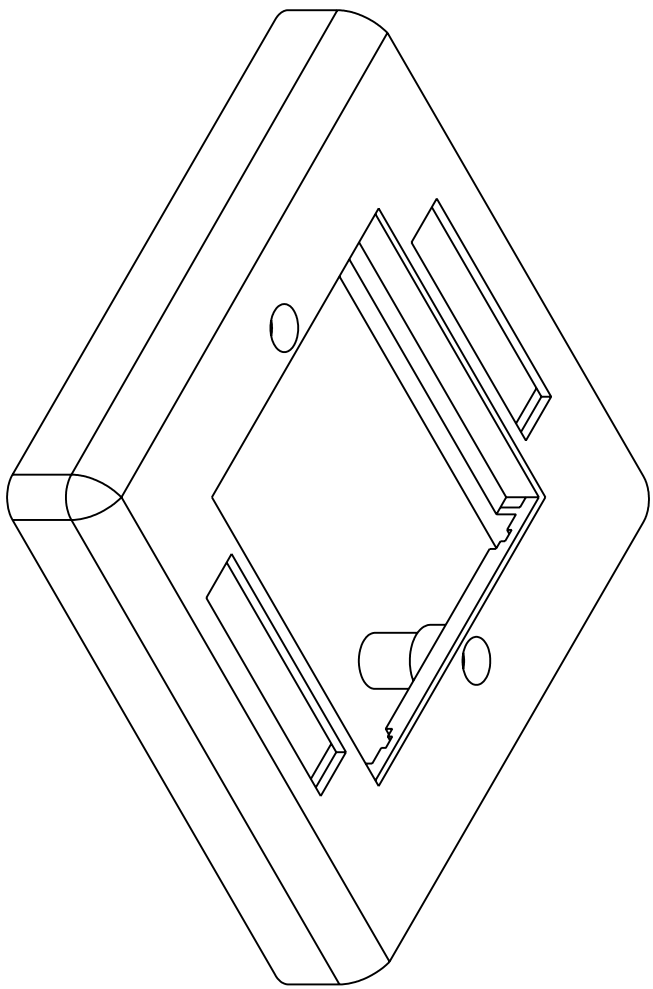
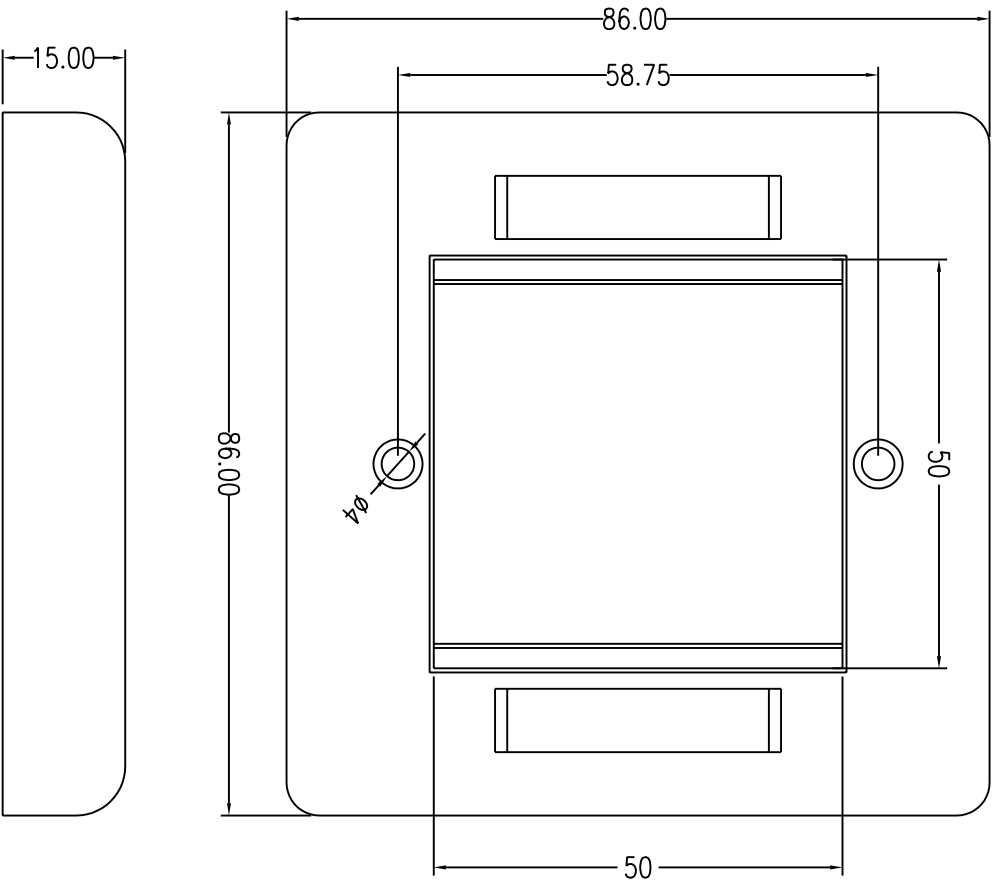


REVISIONS				
ZONE	REV	DESCRIPTION	DATE	APPROVED
	A			
	A			

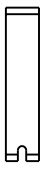


**MATERIAL**

Housing: ABS, UL 94V-0  
 COLOR: WHITE,IVORY.....  
 Temperature: -40°C ~ 68°C  
 Humidity: 10% ~ 90% RH

**ENCLOSURE:**

K4 3.5 X 30 mm SCREW X 2  
 CLEAR COVER X 2  
 WHITE PAPER X 2



COMMON TOLERANCE		SHEET	OF	ALL COPY RIGHTS RESERVED	
CLASS	A	SIZE	A4	DCE DAN-CHIEF ENTERPRISE CO.,LTD.	
DIMENSION		DIA	mm	TITLE	
L <= 3	±0.05			625B20AF-XX-X	
3 < L <= 6	±0.05	SCALE	1:1	DRAWING NO.	B-029
6 < L <= 16	±0.1	DATE	2004.06.25	DRAWN	
16 < L <= 30	±0.1	DESIGN		CHECKED	
30 < L <= 120	±0.15				
120 < L <= 315	±0.2				