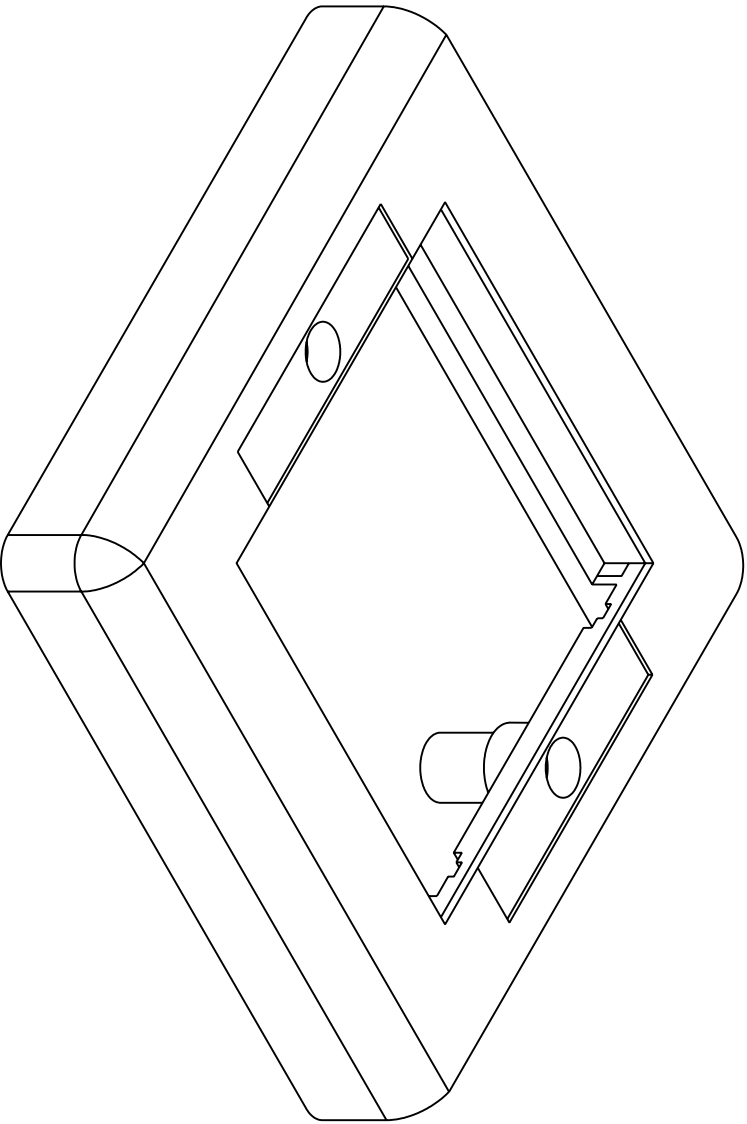
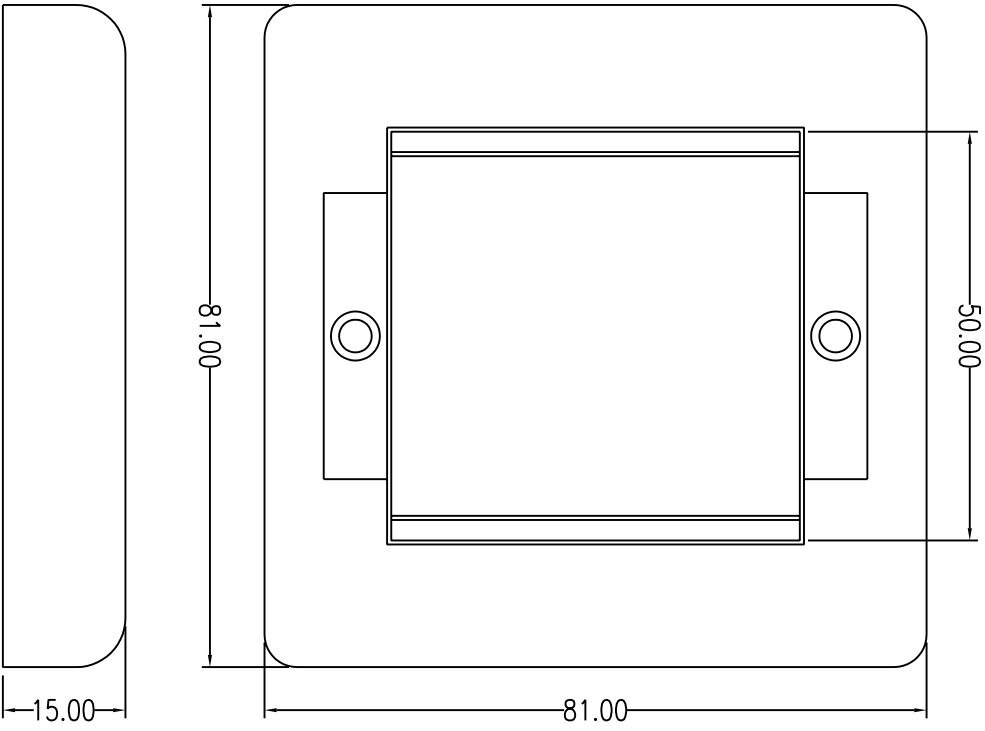



REVISIONS				
ZONE	REV	DESCRIPTION	DATE	APPROVED



MATERIALS: ABS UL94V-0
 COLOR: WHITE
 OPTIONS: IVORY.....
 ENCLOSURE: K2 4 X 16 mm SCREW X 2

COMMON TOLERANCE		SHEET 1 OF 1	ALL COPY RIGHTS RESERVED
CLASS	A	SIZE A4	 DAN-CHIEF ENTERPRISE CO.,LTD.
DIMENSION	B	DIA mm	
L<=3	±0.06	±0.1	TITLE 625B19F-XX-X
3<L<=6	±0.06	±0.1	
6<L<=16	±0.1	±0.15	
16<L<=30	±0.1	±0.2	
30<L<=120	±0.15	±0.3	SCALE DATE JAN.19.2000
120<L<=315	±0.2	±0.5	DRAWING NO. B-028
DESIGN		DRAWN	CHECKED