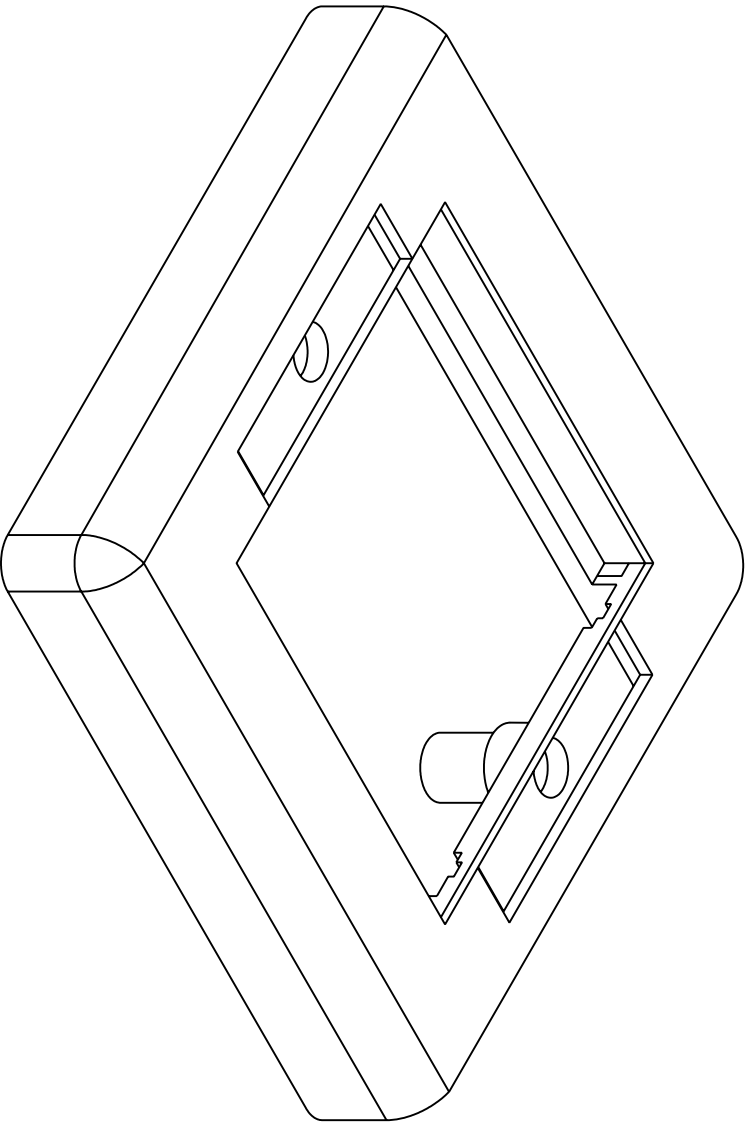
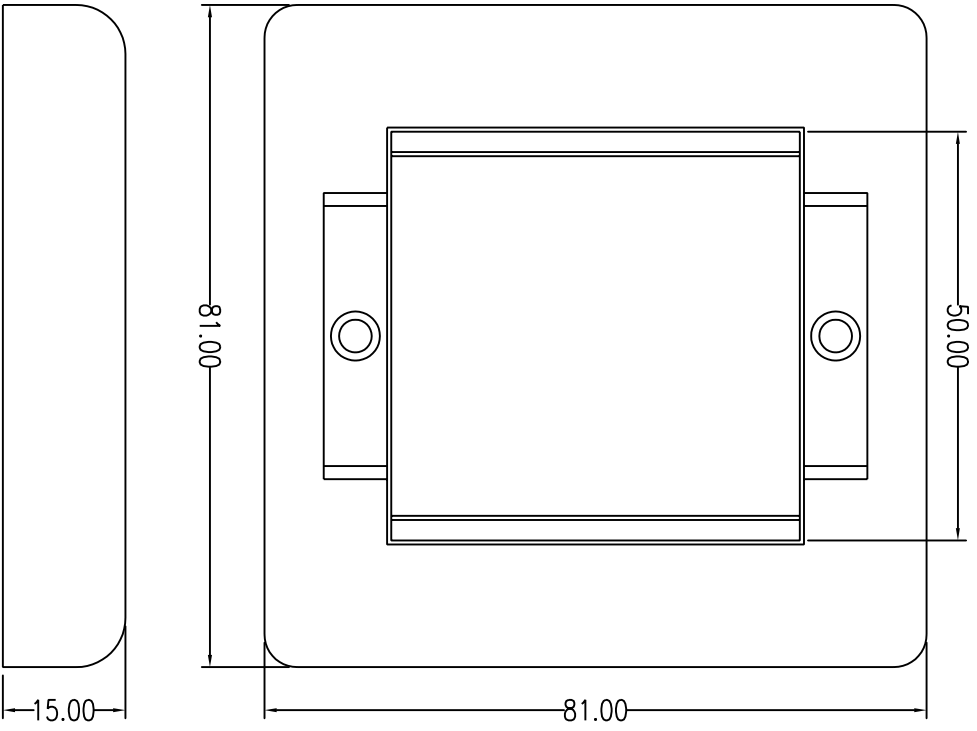


REVISIONS		
ZONE	REV	DESCRIPTION
		DATE
		APPROVED



MATERIALS: ABS UL94V-0
 COLOR: WHITE
 OPTIONS: IVORY.....
 ENCLOSURE: K2 4 X 16 mm SCREW X 2
 CLEAR COVER X 1
 WHITE PAPER X 1

COMMON TOLERANCE		SHEET 1 OF 1	ALL COPY RIGHTS RESERVED
CLASS	A	B	SIZE A4
DIMENSION	±0.06	±0.1	DIA mm
L <= 3	±0.06	±0.1	SCALE
3 < L <= 6	±0.06	±0.1	DATE JAN.19.2000
6 < L <= 16	±0.1	±0.15	DRAWING NO. B-027
16 < L <= 30	±0.1	±0.2	CHECKED
30 < L <= 120	±0.15	±0.3	
120 < L <= 315	±0.2	±0.5	

DCE DAN-CHIEF ENTERPRISE CO.,LTD.
 TITLE
 625B19AF-XX-X