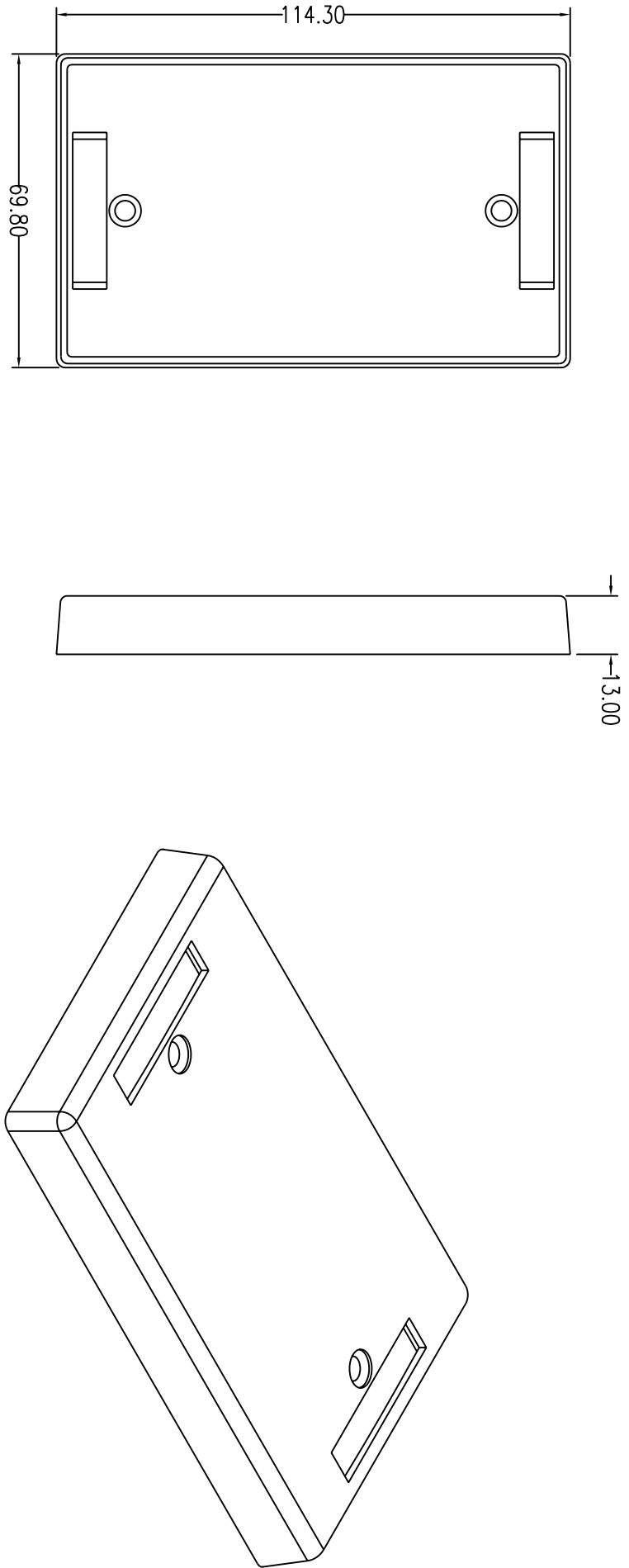



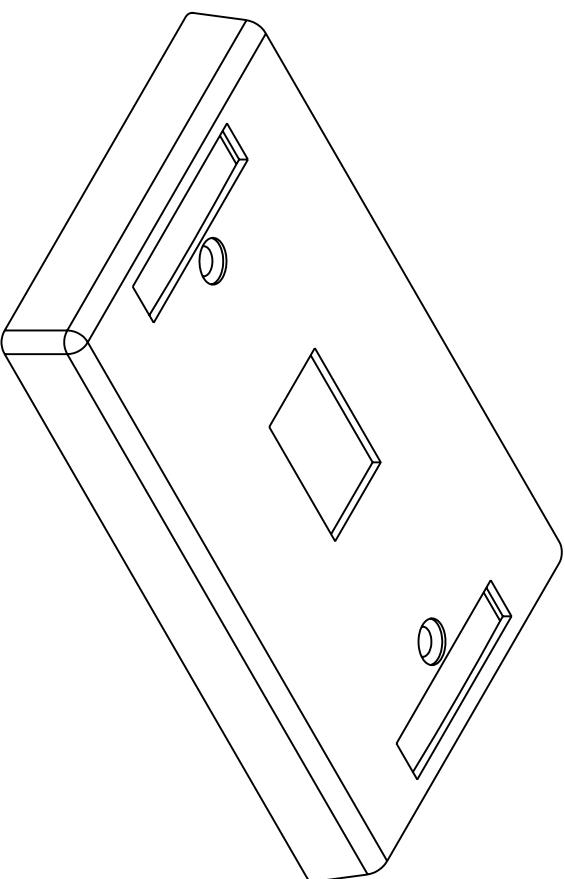
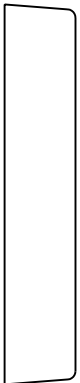
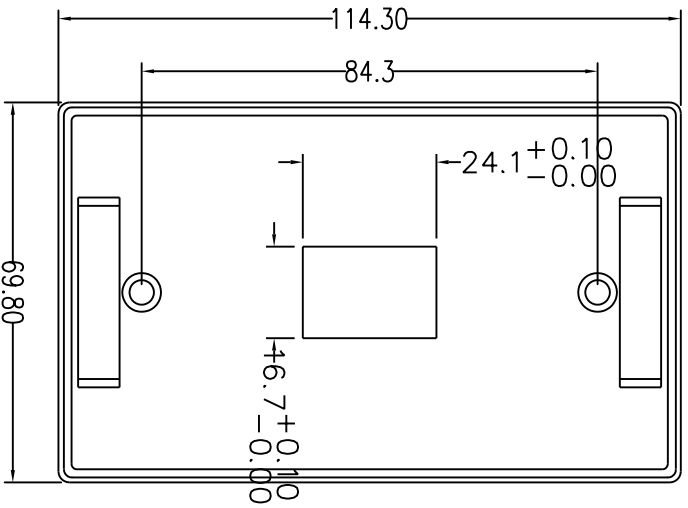
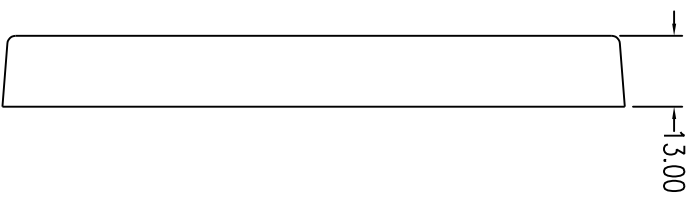
REVISIONS				
ZONE	REV	DESCRIPTION	DATE	APPROVED



MATERIALS: ABS UL94V-0
 COLOR: WHITE, IVORY.....
 ENCLOSURE:
 K4 6 x 25mm SCREW X 2
 WHITE PAPER X 2
 CLEAR COVER X 2


COMMON TOLERANCE		SHEET 1 OF 1	ALL COPY RIGHTS RESERVED	
CLASS	A	SIZE	A4	 DAN-CHIEF ENTERPRISE CO., LTD.
DIMENSION	B	DIA	mm	
L<=3	±0.05	SCALE		TITLE 652B17F-0-XX-X
3<L<=6	±0.05	DATE	JAN.10.2000	
6<L<=16	±0.1	DESIGN		
16<L<=30	±0.1	DRAWN		
30<L<=120	±0.15	CHECKED		DRAWING NO. B-015
120<L<=315	±0.2			

REVISIONS			
ZONE/REV	DESCRIPTION	DATE	APPROVED



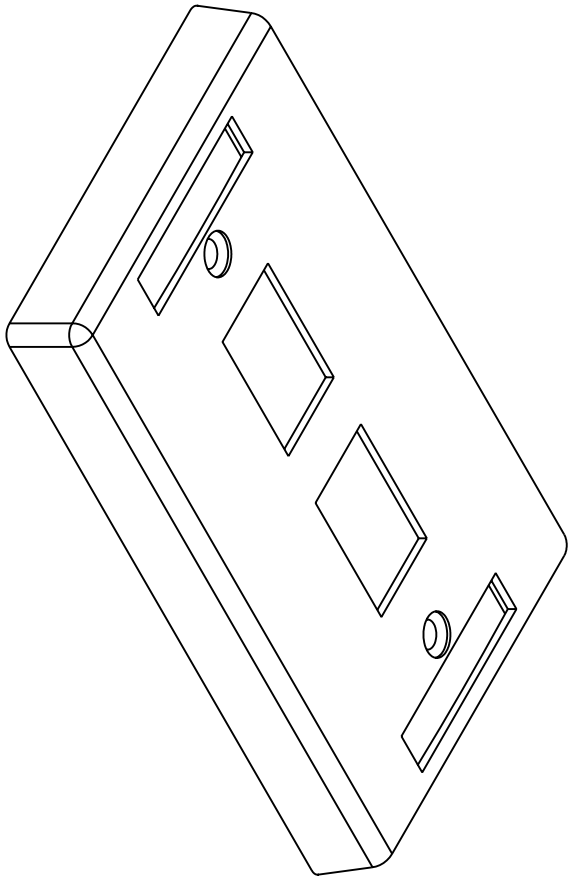
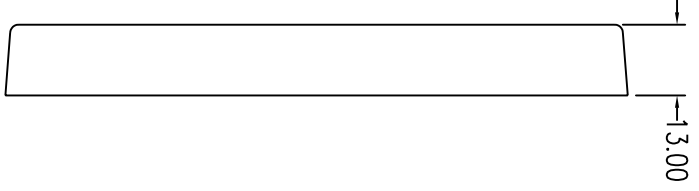
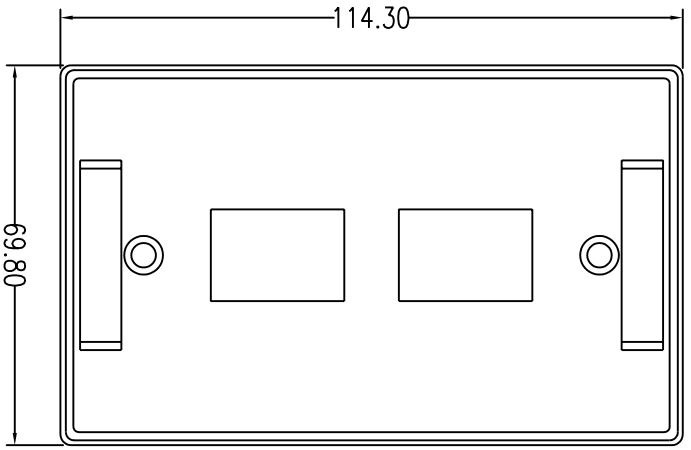
MATERIALS: ABS UL94V-0
 COLOR: WHITE, IVORY.....
 ENCLOSURE:

K4 6 x 25mm SCREW X 2
 WHITE PAPER X 2
 CLEAR COVER X 2

COMMON TOLERANCE		SHEET 1 OF 1		ALL COPY RIGHTS RESERVED	
CLASS	A	B	SIZE	A4	 DAN-CHIEF ENTERPRISE CO., LTD.
DIMENSION	L ≤ 3 ± 0.07 ± 0.1	3 < L ≤ 6 ± 0.05 ± 0.1	UNIT:	mm	
	6 < L ≤ 16 ± 0.1 ± 0.15	16 < L ≤ 30 ± 0.1 ± 0.2	SCALE:		
	30 < L ≤ 120 ± 0.15 ± 0.3	120 < L ≤ 315 ± 0.2 ± 0.5	DATE:	2002.06.11	DRAWING NO.
			DESIGN		B-016
			DRAWN		CHECKED

TITLE
625B17F-1-XX-X

REVISIONS				
ZONE	REV	DESCRIPTION	DATE	APPROVED

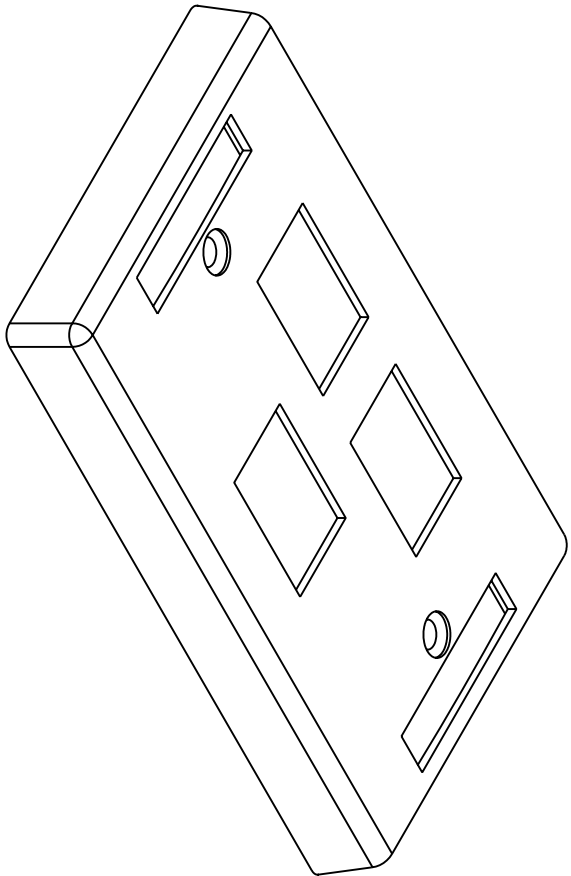
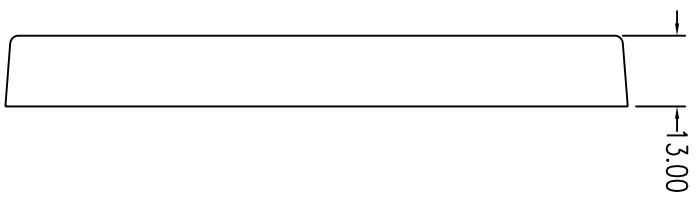
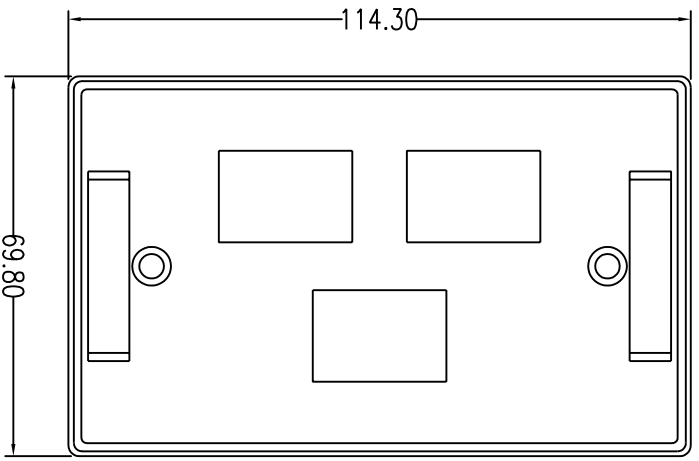


MATERIALS: ABS UL94V-0
 COLOR: WHITE,IVORY.....
 ENCLOSURE:


- K4 6 x 25mm SCREW X 2
- WHITE PAPER X 2
- CLEAR COVER X 2

COMMON TOLERANCE			SHEET 1 OF 1	ALL COPY RIGHTS RESERVED	
CLASS	A	B	SIZE	A4	
DIMENSION			DIA	mm	
L<=3	±0.05	±0.1	SCALE		652B17F-2-XX-X
3<L<=6	±0.05	±0.1	DATE	JAN.10.2000	DRAWING NO.
6<L<=16	±0.1	±0.15	DESIGN		B-017
16<L<=30	±0.1	±0.2	DRAWN		CHECKED
30<L<=120	±0.15	±0.3			
120<L<=315	±0.2	±0.5			

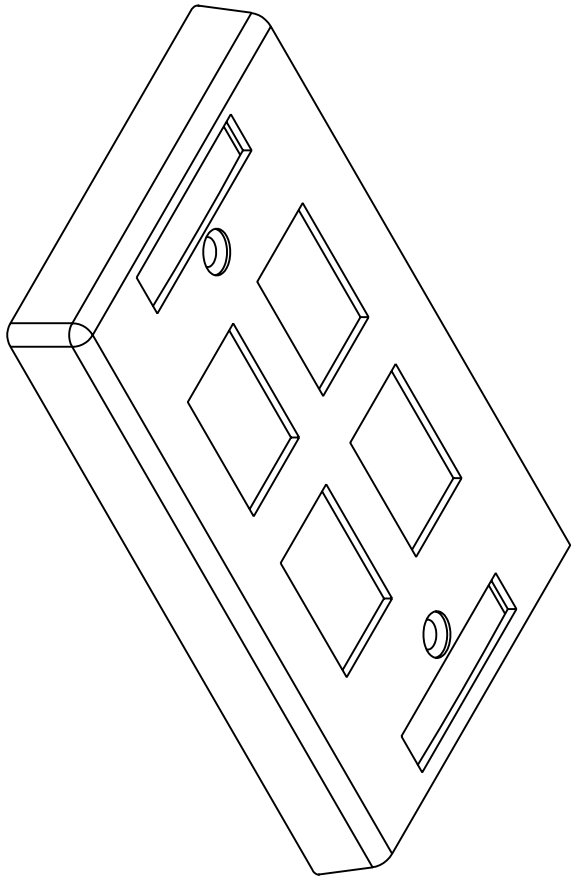
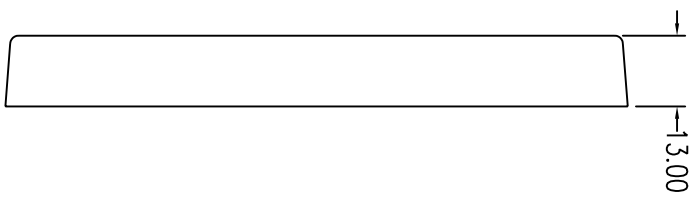
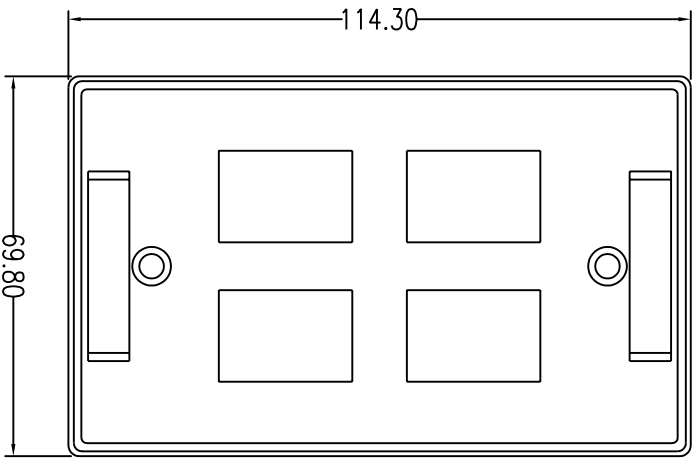
REVISIONS				
ZONE	REV	DESCRIPTION	DATE	APPROVED



MATERIALS: ABS UL94V-0
 COLOR: WHITE,IVORY.....
 ENCLOSURE:
 K4 6 x 25mm SCREW X 2
 WHITE PAPER X 2
 CLEAR COVER X 2


COMMON TOLERANCE		SHEET 1 OF 1	ALL COPY RIGHTS RESERVED	
CLASS	A	SIZE	A4	 DAN-CHIEF ENTERPRISE CO.,LTD.
DIMENSION	B	DIA	mm	
L<=3	±0.05	SCALE	DATE JAN.10.2000	
3<L<=6	±0.05	DATE	JAN.10.2000	DRAWING NO.
6<L<=16	±0.1	DESIGN		B-018
16<L<=30	±0.1	DRAWN		CHECKED
30<L<=120	±0.15			
120<L<=315	±0.2			

REVISIONS				
ZONE	REV	DESCRIPTION	DATE	APPROVED

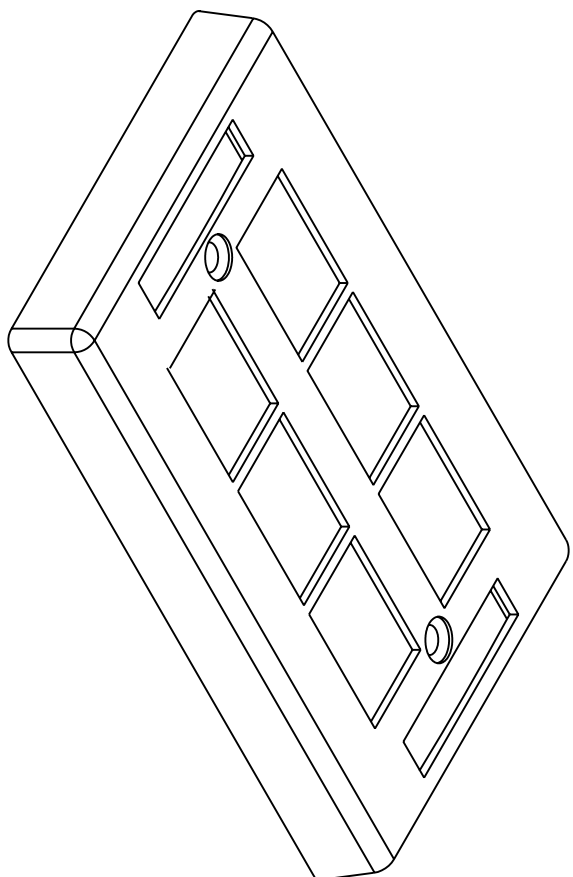
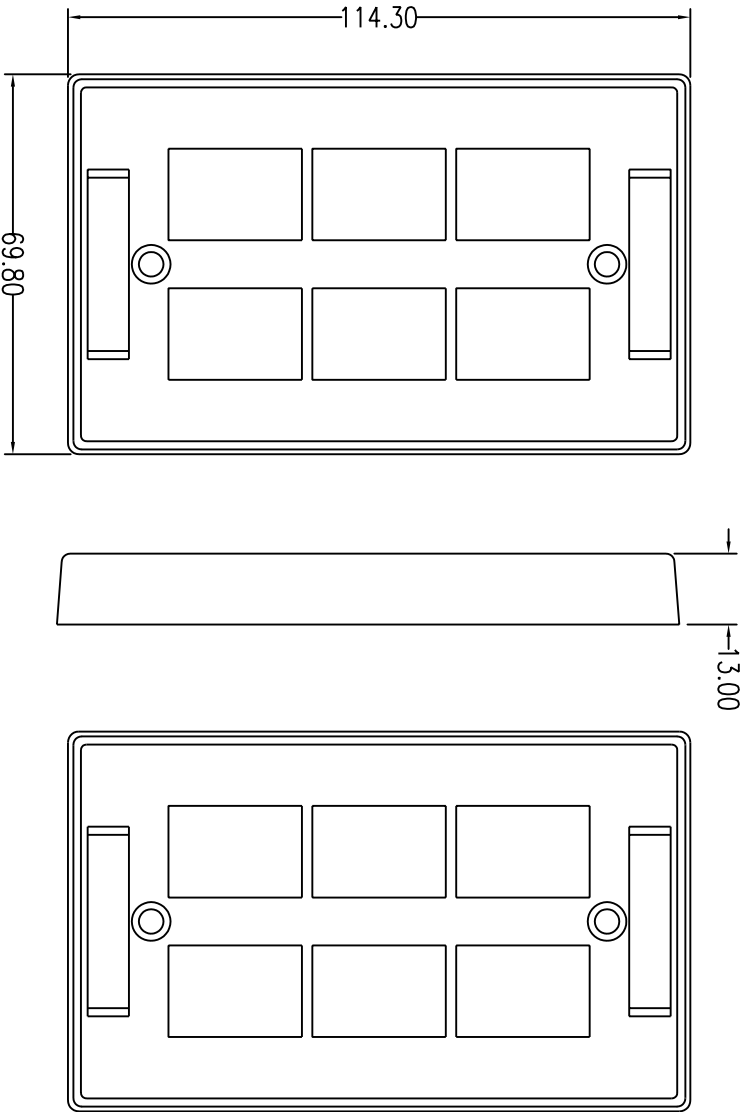


MATERIALS: ABS UL94V-0
 COLOR: WHITE,IVORY.....
 ENCLOSURE:

K4 6 x 25mm SCREW X 2
 WHITE PAPER X 2
 CLEAR COVER X 2


COMMON TOLERANCE		SHEET 1 OF 1	ALL COPY RIGHTS RESERVED	
CLASS	A	SIZE	A4	 DAN-CHIEF ENTERPRISE CO.,LTD.
DIMENSION	B	DIA	mm	
L<=3	±0.05	SCALE	DATE JAN.10.2000	TITLE 652B17F-4-XX-X DRAWING NO. B-019
3<L<=6	±0.05	DESIGN	DRAWN	
6<L<=16	±0.1	CHECKED		
16<L<=30	±0.1			
30<L<=120	±0.15			
120<L<=315	±0.2			

REVISIONS				
ZONE	REV	DESCRIPTION	DATE	APPROVED



MATERIALS: ABS UL94V-0
 COLOR: WHITE, IVORY.....
 ENCLOSURE:

- K4 6 x 25mm SCREW X 2
- WHITE PAPER X 2
- CLEAR COVER X 2

COMMON TOLERANCE		SHEET 1 OF 1	ALL COPY RIGHTS RESERVED	
CLASS	A	SIZE	A4	 DAN-CHIEF ENTERPRISE CO., LTD. TITLE 652B17F-6-XX-X DRAWING NO. B-020
DIMENSION	B	DIA	mm	
L<=3	±0.05	SCALE		
3<L<=6	±0.05	DATE	JAN.10.2000	
6<L<=16	±0.1	DESIGN		
16<L<=30	±0.1	DRAWN		CHECKED
30<L<=120	±0.15			
120<L<=315	±0.2			