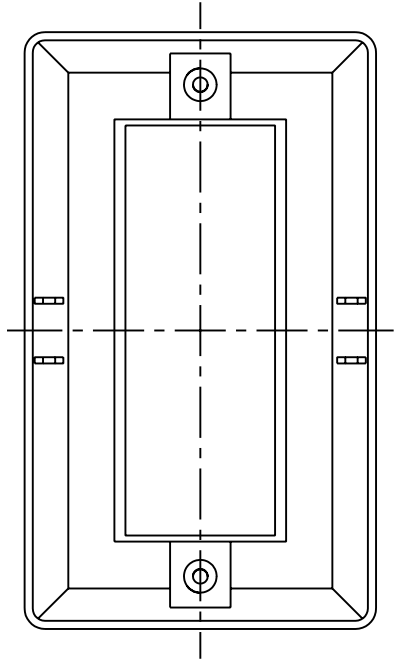
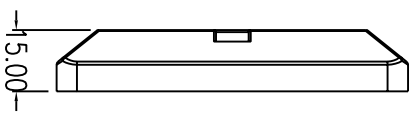
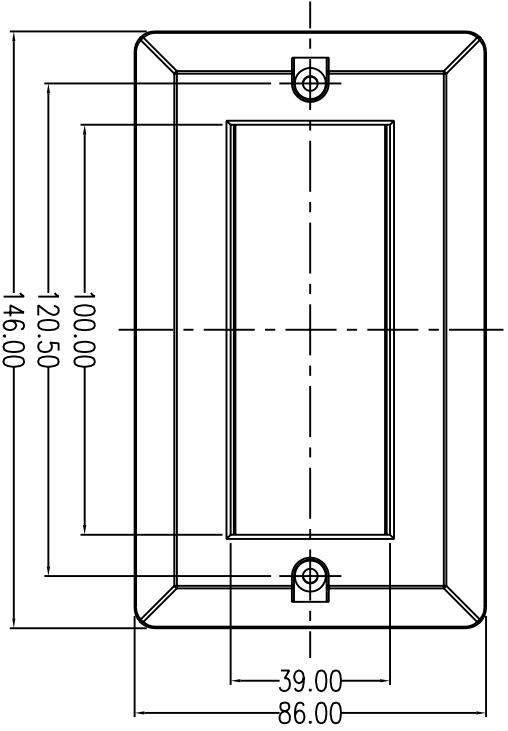
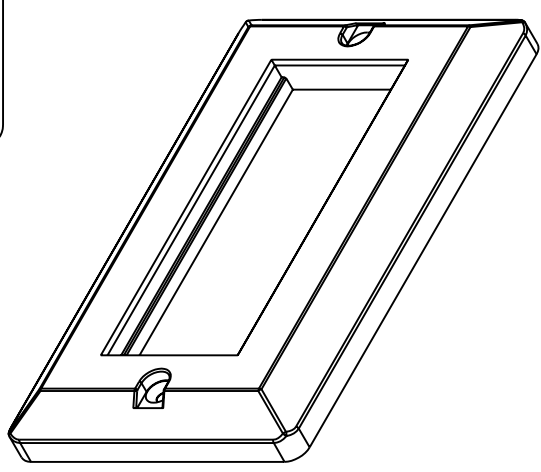


REVISIONS				
ZONE	REV	DESCRIPTION	DATE	APPROVED
	1			
	2			
	3			
	4			



MATERIAL:ABS UL94V-0
 COLOR:WHITE
 OPTIONS:IVORY.....
 ENCLOSURE:K4 3.5x30 mm x 2 PCS



COMMON TOLERANCE		SHEET	OF	ALL COPY RIGHTS RESERVED	
CLASS	A	SIZE	A4	DAN-CHIEF ENTERPRISE CO.,LTD. TITLE 625B16U-XX-F	
DIMENSION	B	DIA	mm		
L <= 3	±0.05	SCALE	1:2	DRAWING NO. B-134	
3 < L <= 6	±0.05	DATE	APR.19.2002	DRAWN	
6 < L <= 16	±0.1	DESIGN		CHECKED	
16 < L <= 30	±0.1				
30 < L <= 120	±0.15				
120 < L <= 315	±0.2				