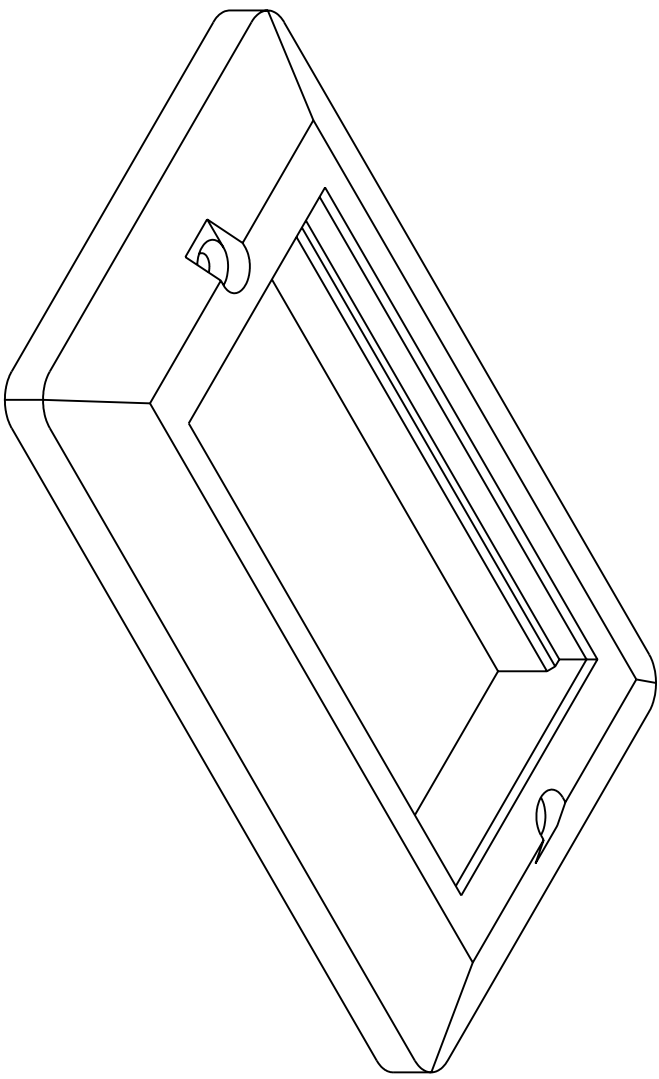
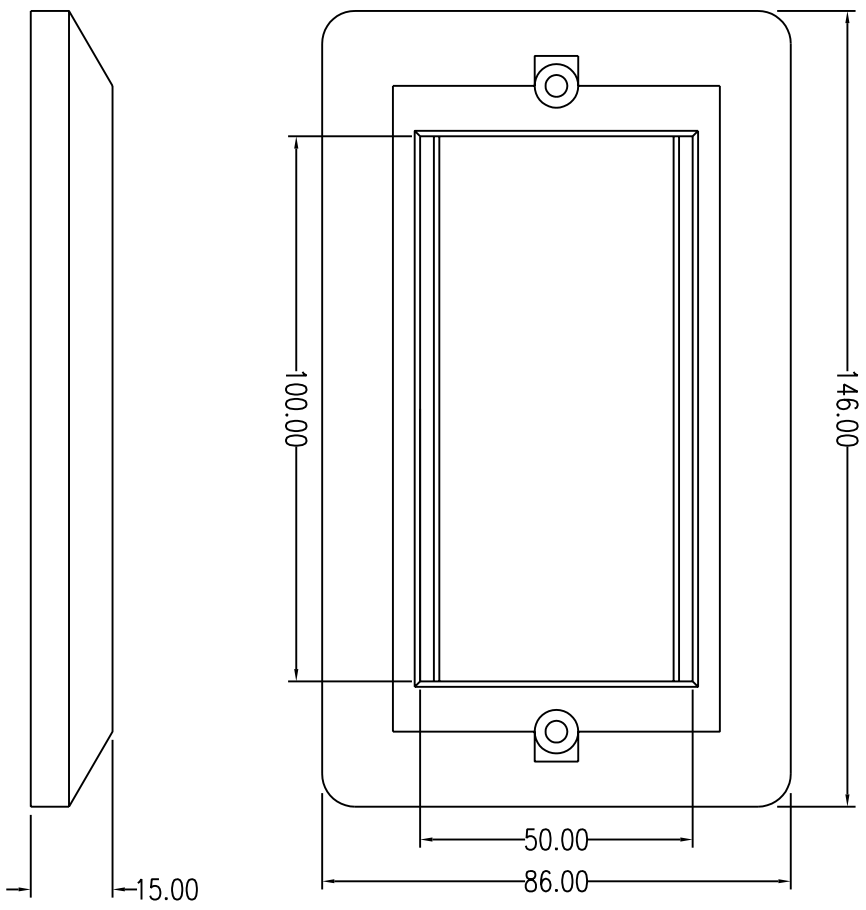


REVISIONS				
ZONE	REV	DESCRIPTION	DATE	APPROVED



MATERIALS: ABS UL94V-0  
 COLOR: WHITE  
 OPTIONS: IVORY.....  
 ENCLOSURE: K4 3.5 X 30 mm SCREW X 2

COMMON TOLERANCE		SHEET 1 OF 1	ALL COPY RIGHTS RESERVED	
CLASS	A	SIZE	DCE DAN-CHIEF ENTERPRISE CO.,LTD.	
DIMENSION	±0.05	A4	TITLE	
L<=3	±0.1	DIA	625B16F-XX-X	
3<L<=6	±0.05	SCALE	DRAWING NO. B-014	
6<L<=16	±0.1	DATE	JAN.07.2000	
16<L<=30	±0.1	DESIGN	DRAWN	
30<L<=120	±0.15	CHECKED		
120<L<=315	±0.2			