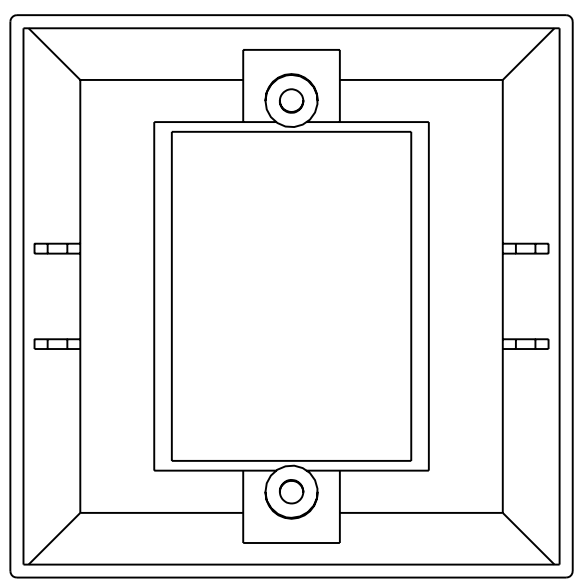
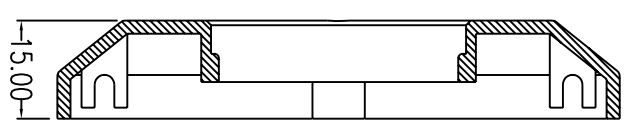
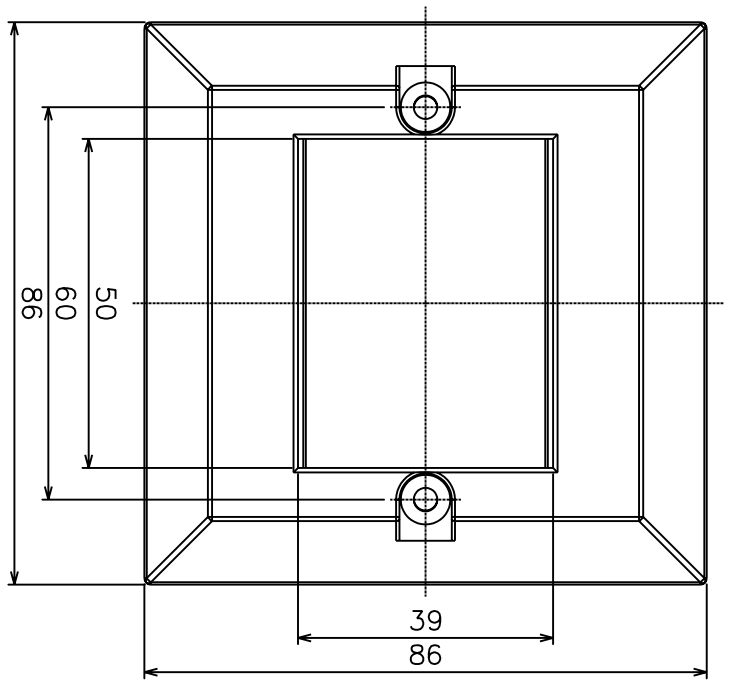
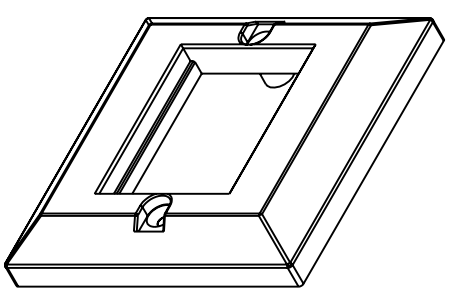



| REVISIONS | | | | |
|-----------|-----|-------------|------|----------|
| ZONE | REV | DESCRIPTION | DATE | APPROVED |
| | Δ | | | |
| | Δ | | | |
| | Δ | | | |



MATERIAL:ABS UL94V-0
 COLOR:WHITE
 OPTIONS:IVORY....
 ENCLOSURE:K4 3.5x30 mm x 2 PCS



| | | | | | |
|------------------|-------|-------------|------------|--|--|
| COMMON TOLERANCE | | SHEET | OF | ALL COPY RIGHTS RESERVED | |
| CLASS | A | SIZE | A4 |  DAN-CHIEF ENTERPRISE CO.,LTD. | |
| DIMENSION | B | DIA | mm | | |
| L<=3 | ±0.05 | SCALE | 4:5 | TITLE 625B15U-XX-F | |
| 3<L<=6 | ±0.05 | DATE | 2003.07.09 | | |
| 6<L<=16 | ±0.1 | DRAWING NO. | B-165-1 | | |
| 16<L<=30 | ±0.1 | CHECKED | | | |
| 30<L<=120 | ±0.15 | DESIGN | | | |
| 120<L<=315 | ±0.2 | | | | |