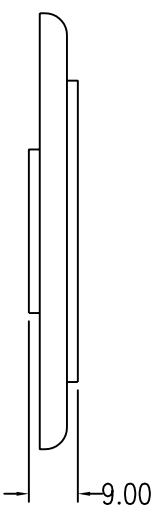
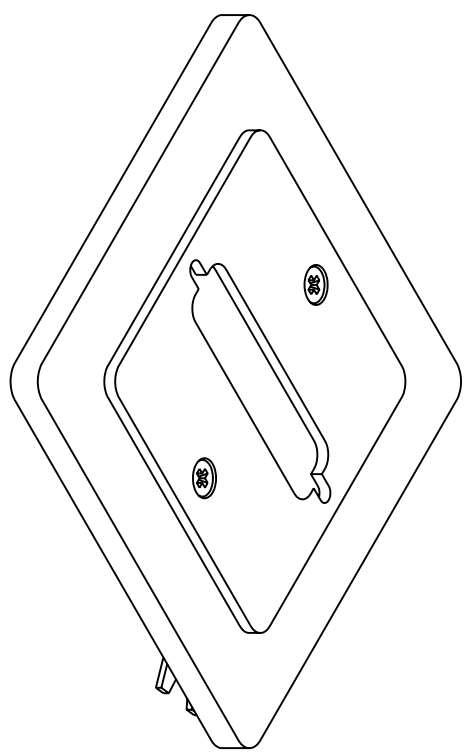
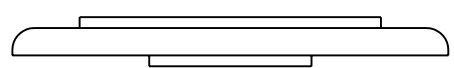
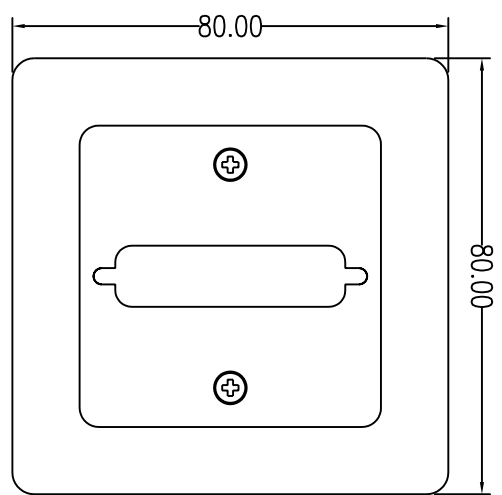
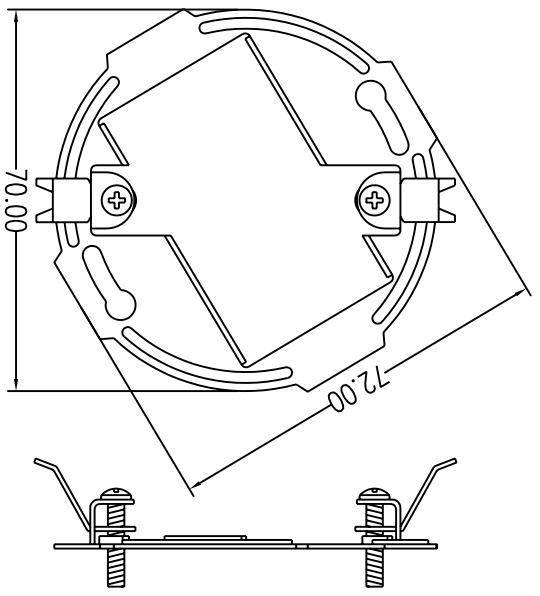


REVISIONS				
ZONE	REV	DESCRIPTION	DATE	APPROVED



MATERIALS: ABS UL94V-0  
 COLOR: WHITE, IVORY.....  
 ENCLOSURE:  
 K2 4 x 16mm SCREW X 2

COMMON TOLERANCE		SHEET 1 OF 1		ALL COPY RIGHTS RESERVED	
CLASS	A	B	SIZE	A4	DCE DAN-CHIEF ENTERPRISE CO., LTD.
DIMENSION	±0.05	±0.1	DIA	mm	TITLE
L <= 3	±0.05	±0.1	SCALE		625B12F-5-XX-X
3 < L <= 6	±0.05	±0.1	DATE	JAN 03 2000	DRAWING NO.
6 < L <= 16	±0.1	±0.15	DESIGN		B-008
16 < L <= 30	±0.1	±0.2	DRAWN		CHECKED
30 < L <= 120	±0.15	±0.3			
120 < L <= 315	±0.2	±0.5			