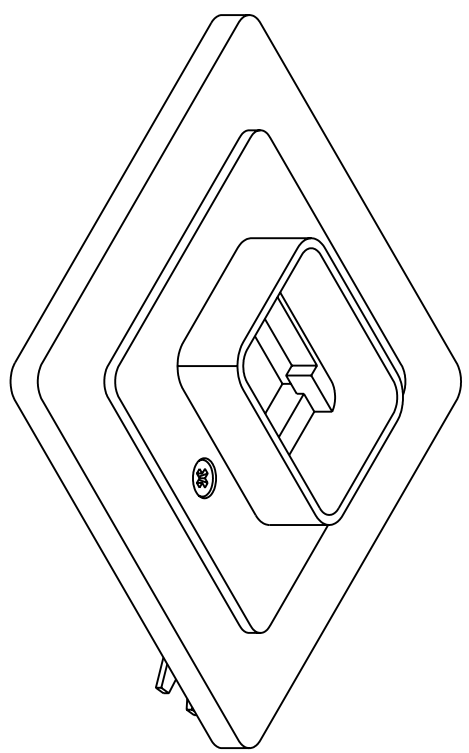
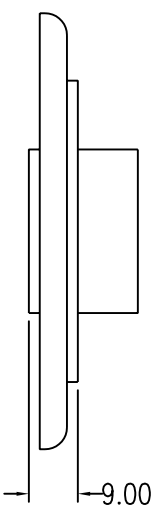
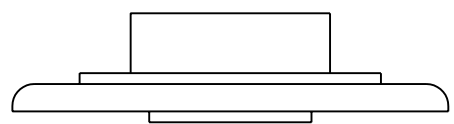
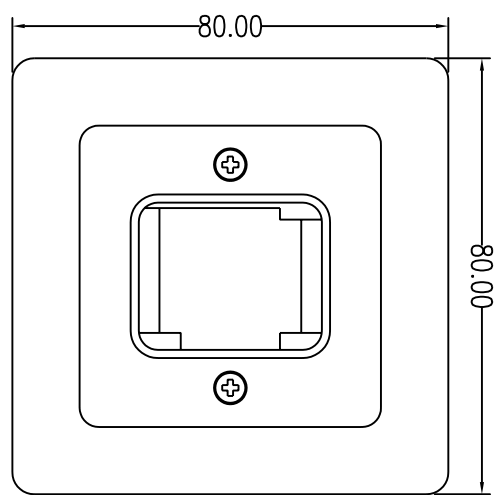
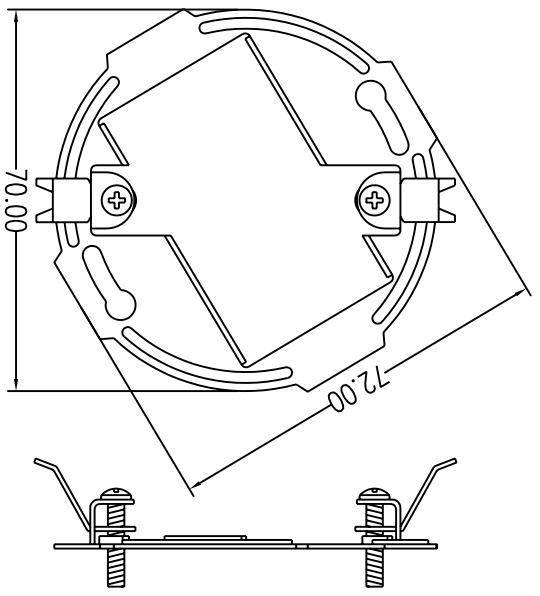


REVISIONS				
ZONE	REV	DESCRIPTION	DATE	APPROVED



MATERIALS: ABS UL94V-0
 COLOR: WHITE, IVORY.....
 ENCLOSURE:
 K2 4 x 16mm SCREW X 2

COMMON TOLERANCE		CLASS		SHEET 1 OF 1		ALL COPY RIGHTS RESERVED	
DIMENSION	A	B	SIZE	A4	DCE DAN-CHEF ENTERPRISE CO., LTD.		
L <= 3	±0.05	±0.1	DIA	mm	TITLE		
3 < L <= 6	±0.05	±0.1	SCALE		DRAWING NO. B-005		
6 < L <= 16	±0.1	±0.15	DATE	DEC.31.99	DRAWN		
16 < L <= 30	±0.1	±0.2	DESIGN		CHECKED		
30 < L <= 120	±0.15	±0.3					
120 < L <= 315	±0.2	±0.5					

625B12F-2-XX-X