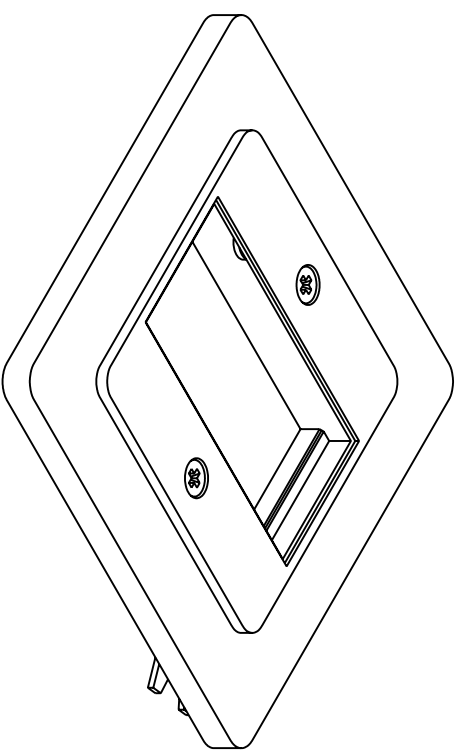
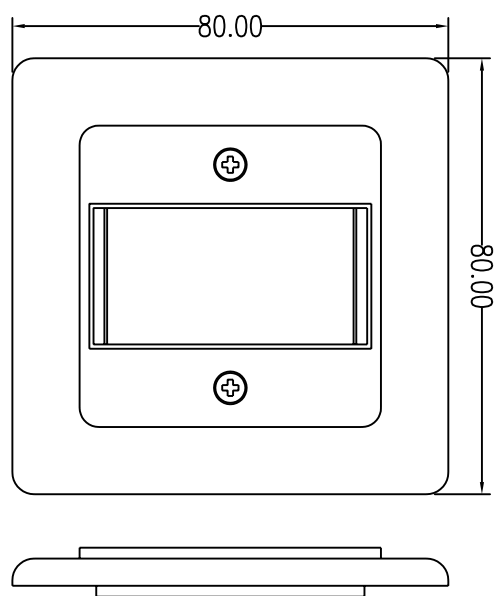
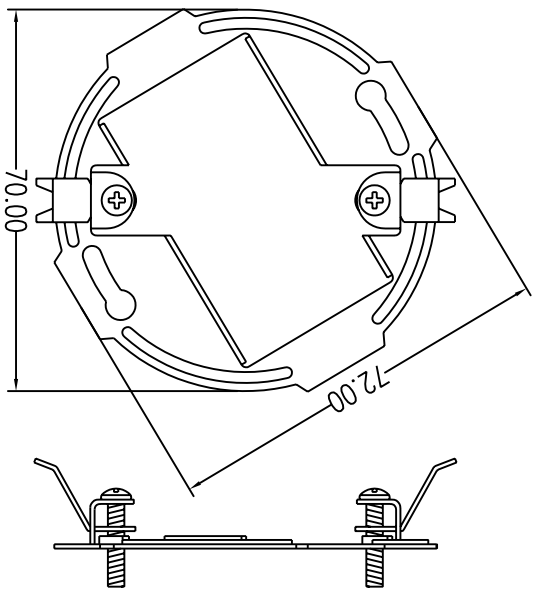


| REVISIONS | | | | |
|-----------|-----|-------------|------|----------|
| ZONE | REV | DESCRIPTION | DATE | APPROVED |
| | | | | |



MATERIALS: ABS UL94V-0
 COLOR: WHITE, IVORY.....
 ENCLOSURE:
 K2 4 x 16mm SCREW X 2

| COMMON TOLERANCE | | SHEET 1 OF 1 | | ALL COPY RIGHTS RESERVED | |
|------------------|-------|--------------|--------|--------------------------|------------------------------------|
| CLASS | A | B | SIZE | A4 | DCE DAN-CHIEF ENTERPRISE CO., LTD. |
| DIMENSION | ±0.05 | ±0.1 | DIA | mm | TITLE |
| L < 3 | ±0.05 | ±0.1 | SCALE | | 625B12F-1-XX-X |
| 3 < L <= 6 | ±0.05 | ±0.1 | DATE | DEC.30.99 | DRAWING NO. |
| 6 < L <= 16 | ±0.1 | ±0.15 | DESIGN | | B-004 |
| 16 < L <= 30 | ±0.1 | ±0.2 | DRAWN | | CHECKED |
| 30 < L <= 120 | ±0.15 | ±0.3 | | | |
| 120 < L <= 315 | ±0.2 | ±0.5 | | | |