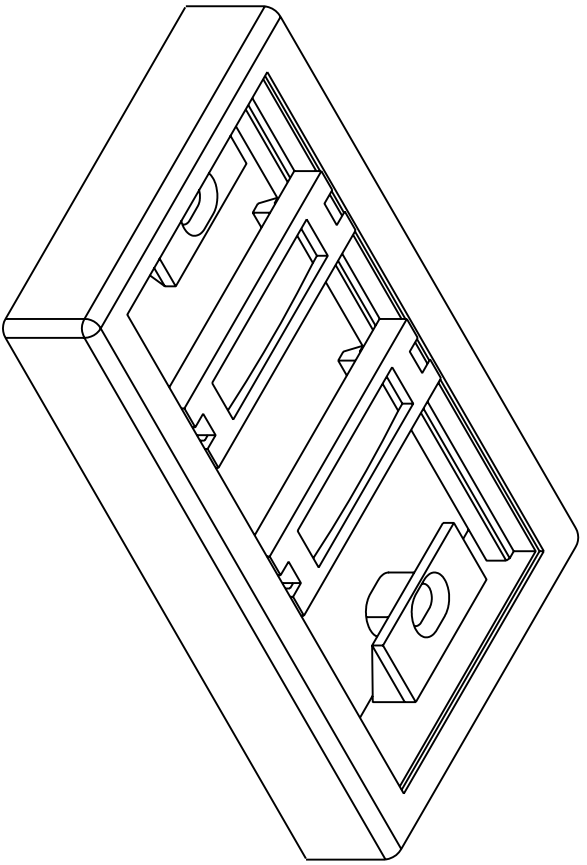
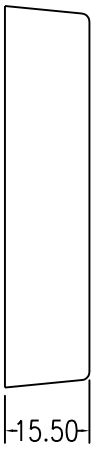
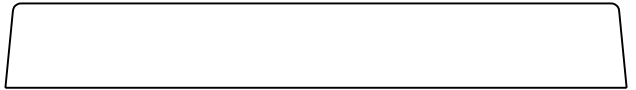
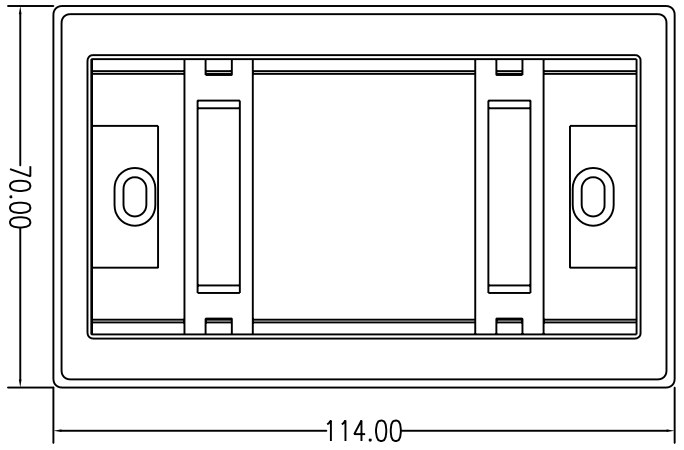


REVISIONS				
ZONE	REV	DESCRIPTION	DATE	APPROVED



MATERIALS: ABS UL94V-0
 COLOR: WHITE,IVORY.....
 ENCLOSURE:
 K4 6 x 25mm SCREW X 2
 WHITE PAPER X 2
 CLEAR COVER X 2

COMMON TOLERANCE		SHEET 1 OF 1		ALL COPY RIGHTS RESERVED	
CLASS	A	B	SIZE	A4	TITLE
DIMENSION	±0.05	±0.1	DIA	mm	DCE DAN-CHEF ENTERPRISE CO.,LTD. 625B10AF-XX-X
L<=3	±0.05	±0.1	SCALE		
3<L<=6	±0.05	±0.1	DATE	DEC.30.99	
6<L<=16	±0.1	±0.15	DESIGN		
16<L<=30	±0.1	±0.2	DRAWN		
30<L<=120	±0.15	±0.3	CHECKED		B-001
120<L<=315	±0.2	±0.5			