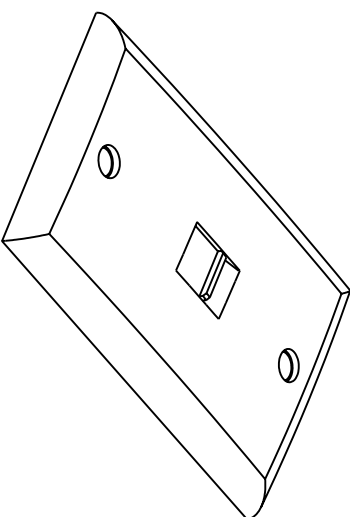
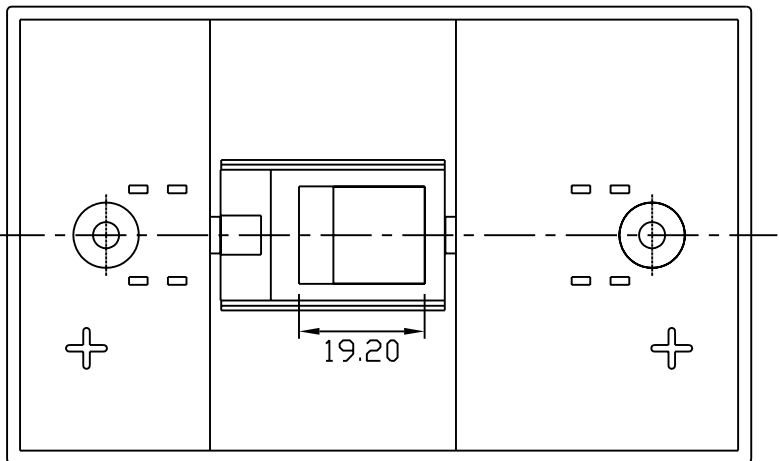
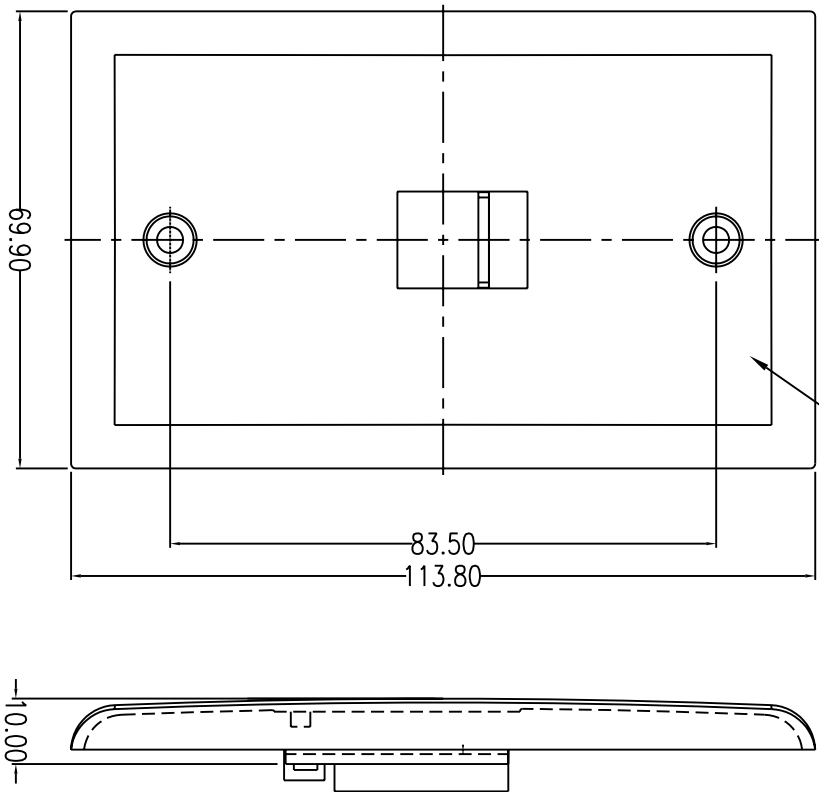


TEXTURED SURFACE



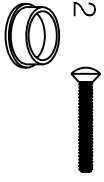
REVISIONS				
ZONE	REV	DESCRIPTION	DATE	APPROVED
	1			
	2			
	3			
	4			

MATERIAL

Housing: ABS, UL 94V-0
 COLOR: WHITE, IVORY.....
 Temperature: -40°C ~ 68°C
 Humidity: 10% ~ 90% RH

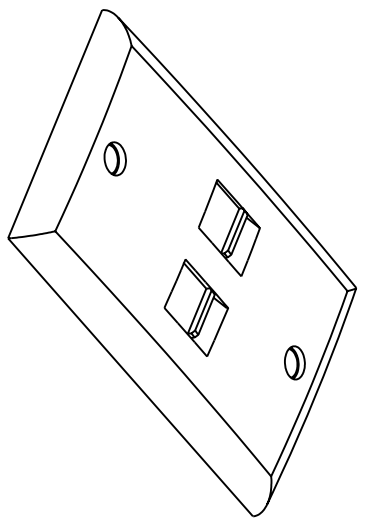
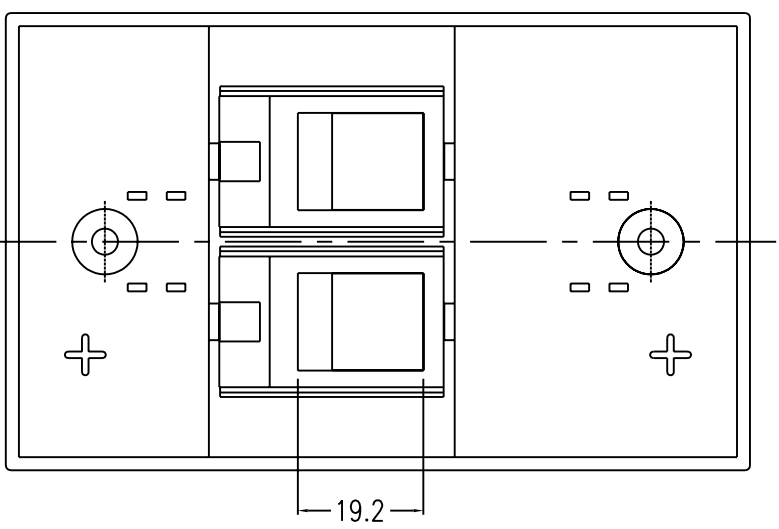
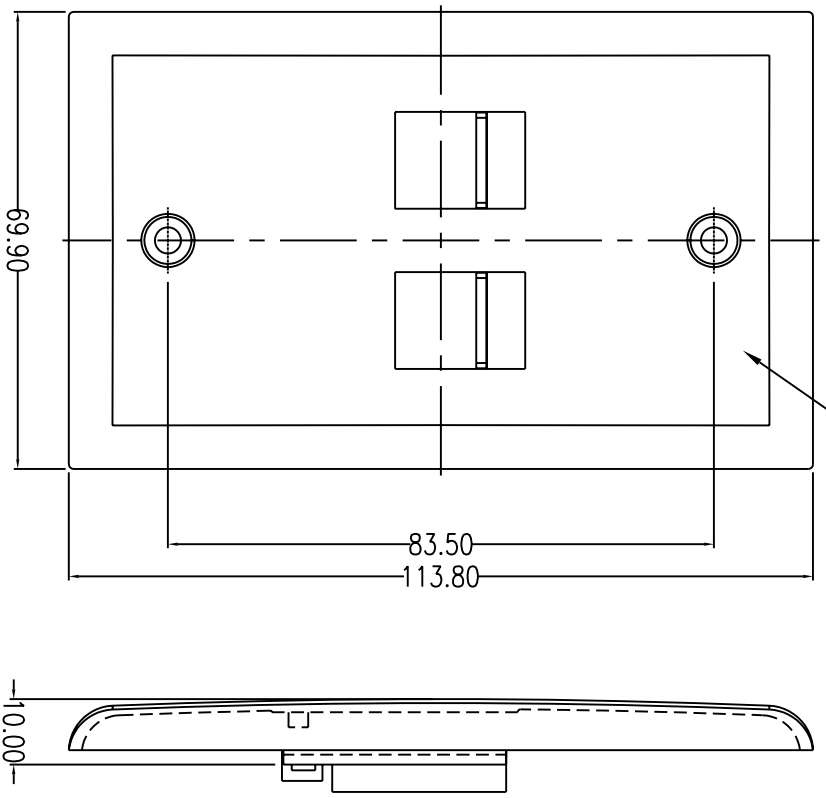
ENCLOSURE:

K4-6 x 25mm SCREW X 2
 SCREW COVER X 2



COMMON TOLERANCE		SHEET	OF	ALL COPY RIGHTS RESERVED	
CLASS	A	SIZE	A4	DCE DAN-CHIEF ENTERPRISE CO., LTD.	
DIMENSION	±0.05	DIA	mm	TITLE	
L <= 3	±0.05	SCALE	4:5	3020DP-1-C-W4-F	
3 < L <= 6	±0.05	DATE	2003.11.27	DRAWING NO.	B-168-1
6 < L <= 16	±0.1	DESIGN		DRAWN	
16 < L <= 30	±0.1	CHECKED			
30 < L <= 120	±0.15				
120 < L <= 315	±0.2				

TEXTURED SURFACE



REVISIONS				
ZONE	REV	DESCRIPTION	DATE	APPROVED
	A			
	A			

MATERIAL

Housing: ABS, UL 94V-0
 COLOR: WHITE, IVORY °C
 Temperature: -40 °C ~ 70
 Humidity: 10% ~ 90% RH

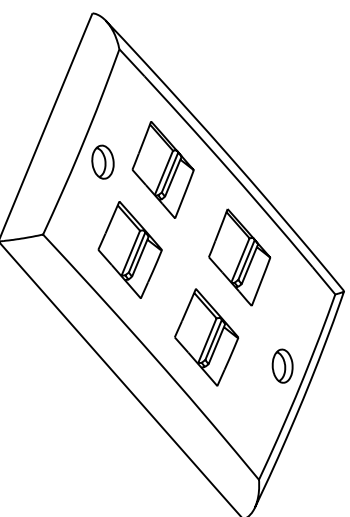
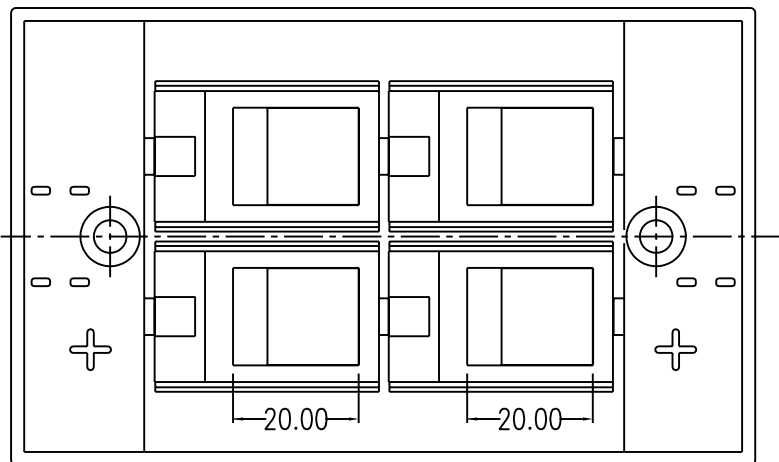
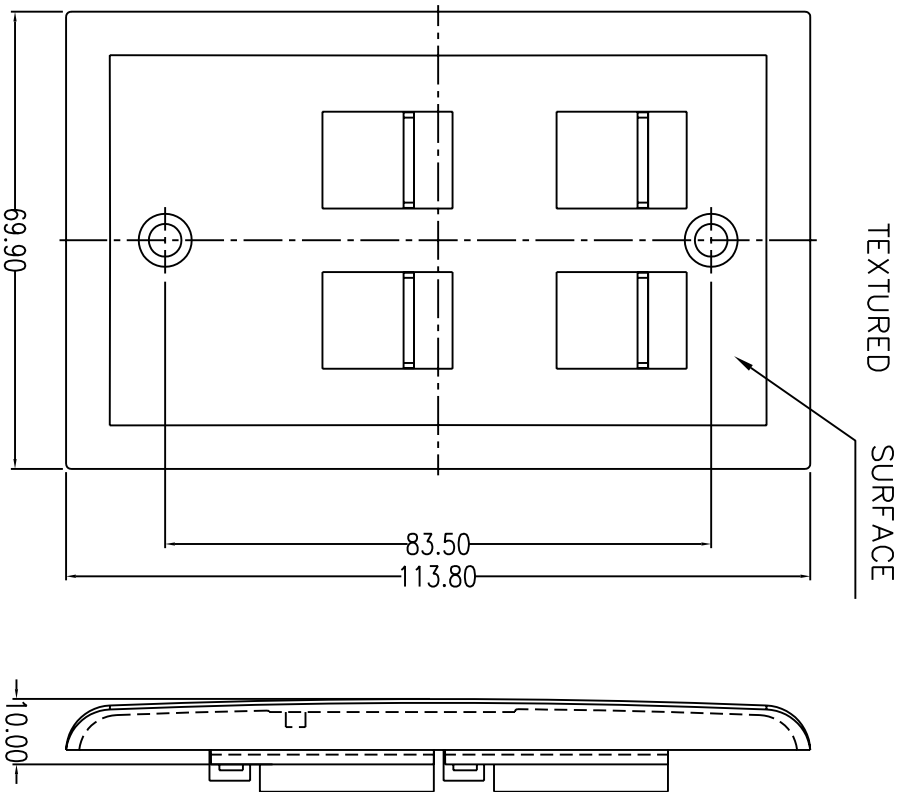
ENCLOSURE:

K4-6 x 25mm SCREW X 2
 SCREW COVER X 2



COMMON TOLERANCE		SHEET	OF	ALL COPY RIGHTS RESERVED	
CLASS	A	SIZE	A4	DCE DAN-CHIEF ENTERPRISE CO., LTD.	
DIMENSION		DIA	mm	TITLE	
L <= 3	±0.05			3020DP-2-C-W4-F	
3 < L <= 6	±0.05	SCALE	4:5	DRAWING NO.	B-169-1
6 < L <= 16	±0.1	DATE	2003.11.27	DRAWN	
16 < L <= 30	±0.1	DESIGN		CHECKED	
30 < L <= 120	±0.15				
120 < L <= 315	±0.2				

REVISIONS			
ZONE/REV	DESCRIPTION	DATE	APPROVED



MATERIALS: ABS UL94V-0
 COLOR: WHITE, IVORY.....
 ENCLOSURE:

K4 6 x 25mm SCREW X 2
 SCREW COVER X 2 PCS



COMMON TOLERANCE			SHEET 1 OF 1		ALL COPY RIGHTS RESERVED	
CLASS	A	B	SIZE	A4	DCE DAN-CHIEF ENTERPRISE CO., LTD.	
DIMENSION	L <= 3 ±0.07 ±0.1	3 < L <= 6 ±0.05 ±0.1	UNIT:	mm	TITLE	
	6 < L <= 16 ±0.1 ±0.15	16 < L <= 30 ±0.1 ±0.2	SCALE:	4 : 5	3020DP-4L-C-W4-F	
	30 < L <= 120 ±0.15 ±0.3	120 < L <= 315 ±0.2 ±0.5	DATE:	2003.11.2	DRAWING NO.	B-170
			DESIGN		DRAWN	CHECKED