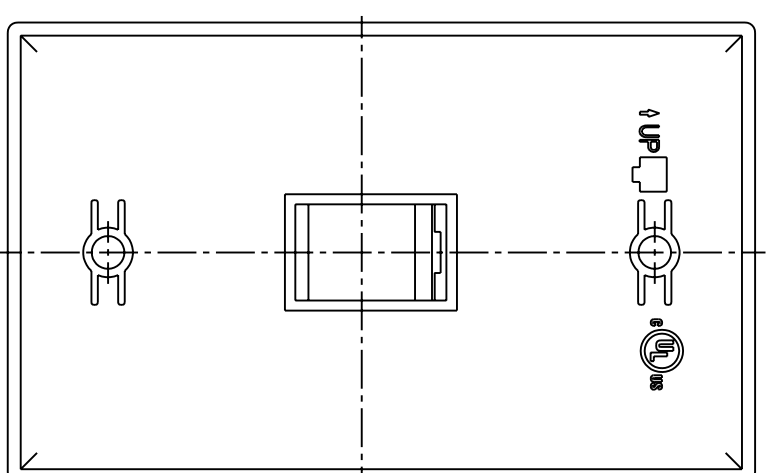
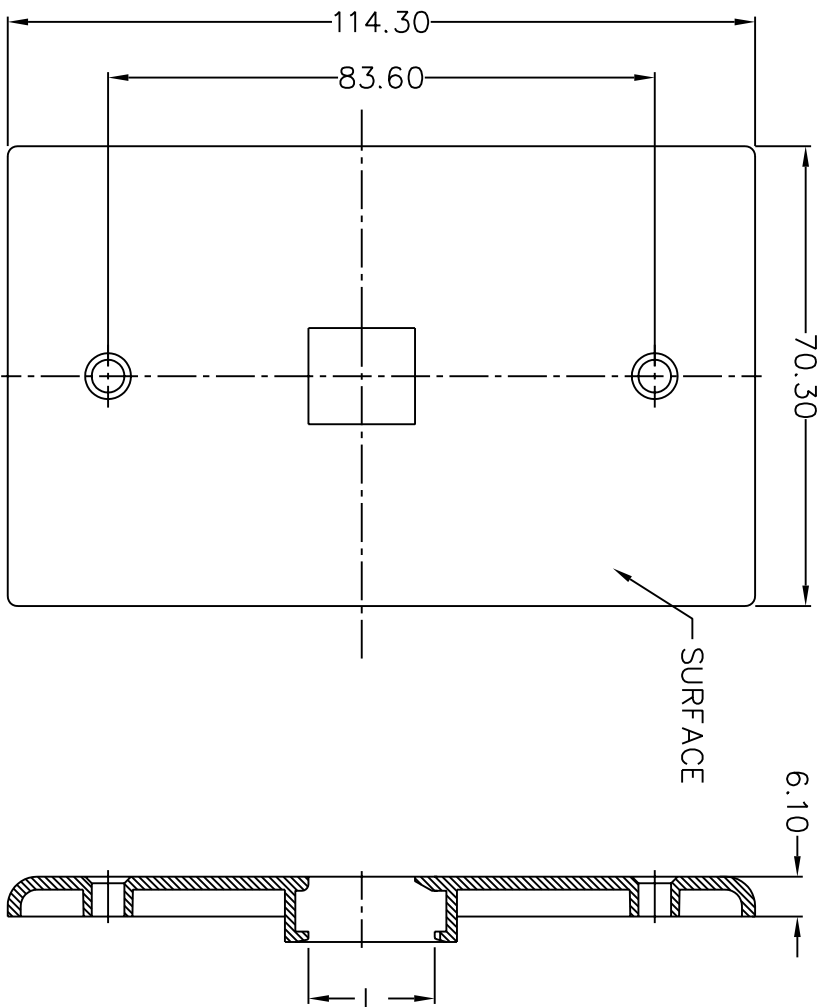


REVISIONS			
ZONE/REV	DESCRIPTION	DATE	APPROVED



MATERIALS: ABS UL94V-0

COLOR: WHITE,IVORY

ENCLOSURE:

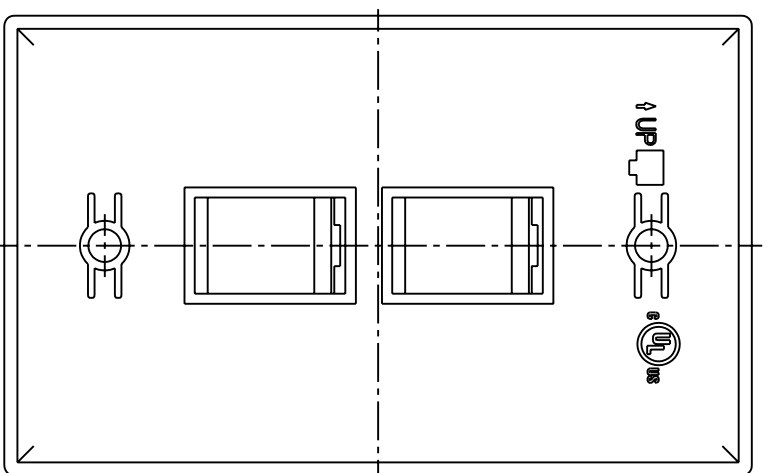
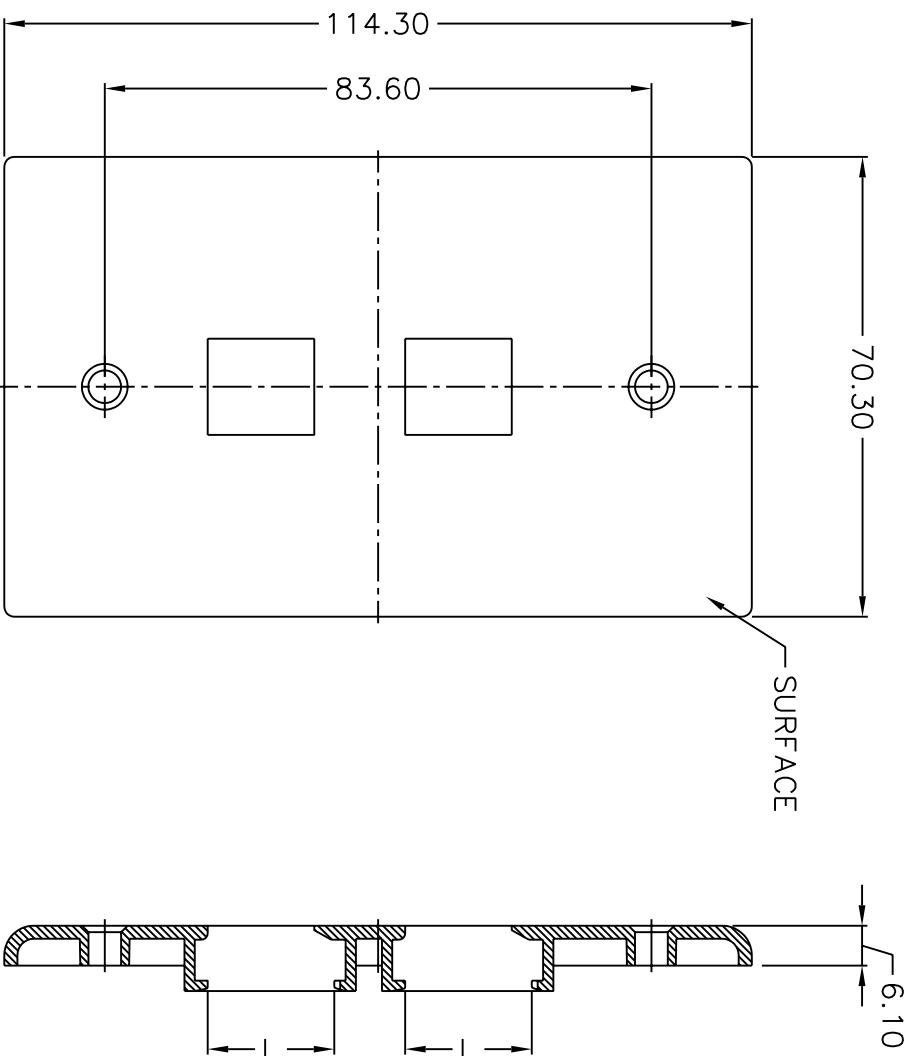
K4 6 x 25mm SCREW X 2

Charmille

Surface	L	DIM	DCE	NO
Burnish	19.20	3020BP-1		
Charmille	20.05	3020BP-1		
	19.20	3020BP-1		
	20.05	3020BP-1		

COMMON TOLERANCE		SHEET 1 OF 1		ALL COPY RIGHTS RESERVED	
CLASS	A	B	SIZE	A4	DCE DAN-CHIEF ENTERPRISE CO.,LTD.
DIMENSION	L ≤ 3 ±0.07 ±0.1		UNIT:	mm	TITLE
	3 < L ≤ 6 ±0.05 ±0.1		SCALE:	4 : 5	SEE TABLE
	6 < L ≤ 16 ±0.1 ±0.15		DATE:	2003.09.19	DRAWING NO. B-129-1
	16 < L ≤ 30 ±0.1 ±0.2		DESIGN		DRAWN
	30 < L ≤ 120 ±0.15 ±0.3				CHECKED
	120 < L ≤ 315 ±0.2 ±0.5				

REVISIONS			
ZONE/REV	DESCRIPTION	DATE	APPROVED

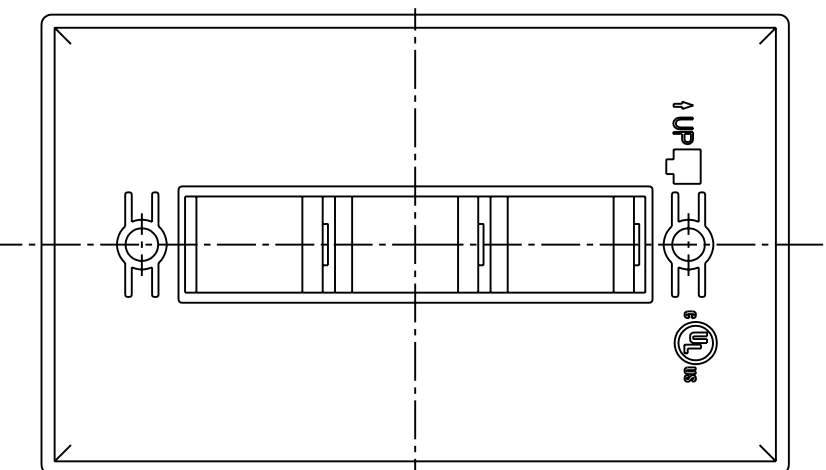
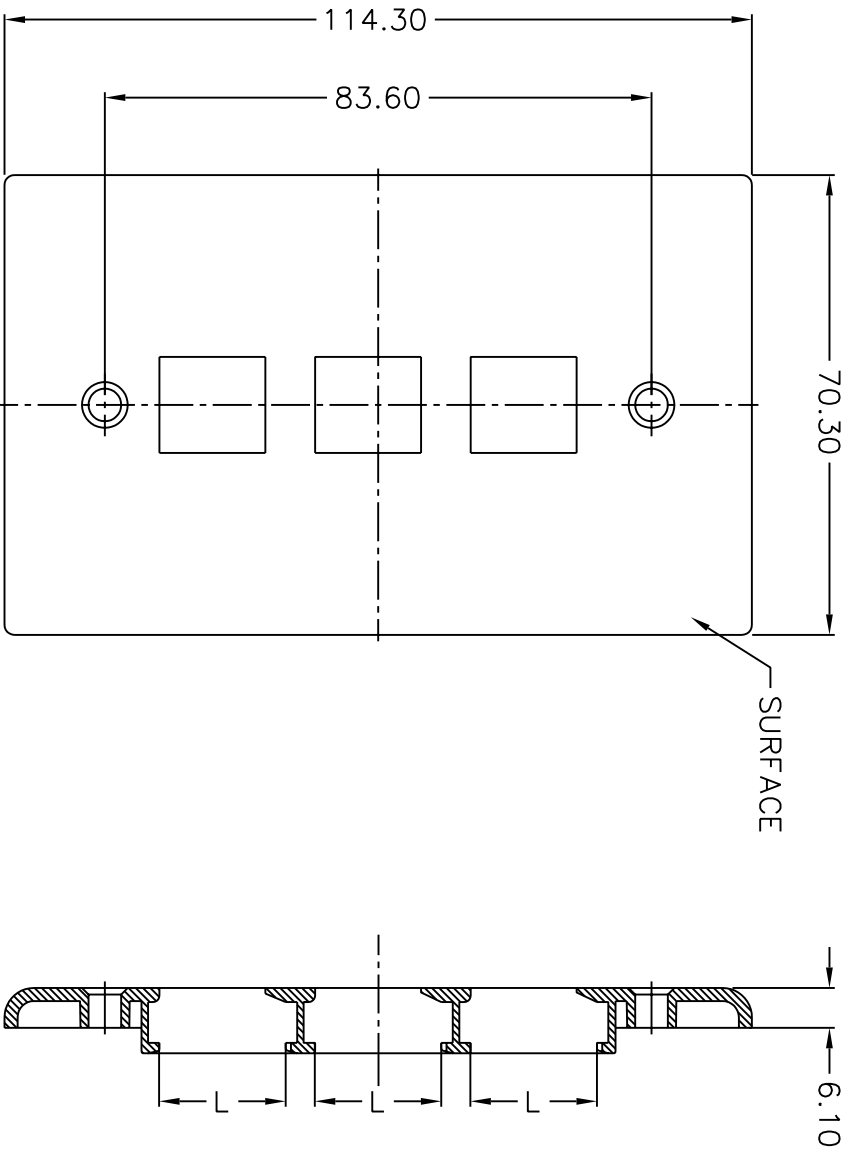


MATERIALS: ABS UL94V-0
 COLOR: WHITE, IVORY.....
 ENCLOSURE:
 K4 6 x 25mm SCREW X 2

Surface	L	DIM	DCE	NO
Charmille	19.20	3020BP-2		
Burnish	20.05	3020BP-L1		
	19.20	3020BAP-1		
	20.05	3020BAP-L1		

COMMON TOLERANCE		SHEET 1 OF 1		ALL COPY RIGHTS RESERVED	
CLASS	A	B	SIZE	A4	DCE DAN-CHIEF ENTERPRISE CO.,LTD.
DIMENSION	L ≤ 3 ±0.07 ±0.1		UNIT:	mm	TITLE
	3 < L ≤ 6 ±0.05 ±0.1		SCALE:	4 : 5	3020BP-2
	6 < L ≤ 16 ±0.1 ±0.15		DATE:	2003.09.19	DRAWING NO.
	16 < L ≤ 30 ±0.1 ±0.2		DESIGN		B-129-2
	30 < L ≤ 120 ±0.15 ±0.3		DRAWN		CHECKED
	120 < L ≤ 315 ±0.2 ±0.5				

REVISIONS			
ZONE/REV	DESCRIPTION	DATE	APPROVED



MATERIALS: ABS UL94V-0

COLOR: WHITE,IVORY.....

ENCLOSURE:

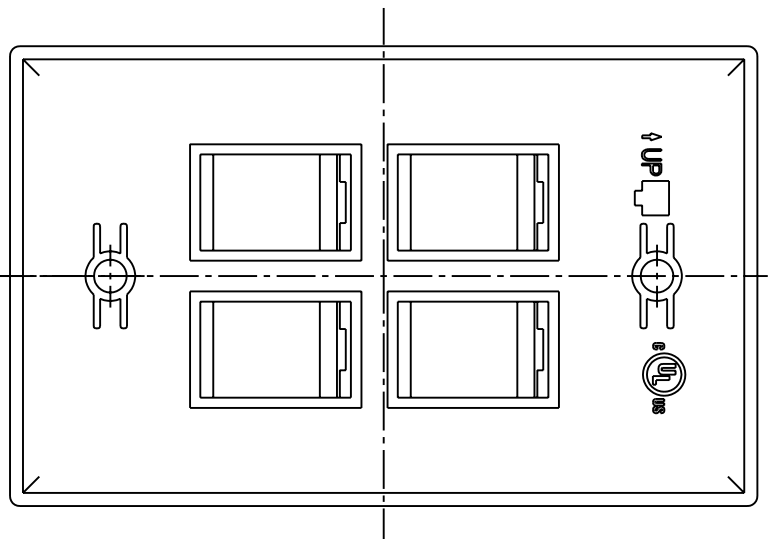
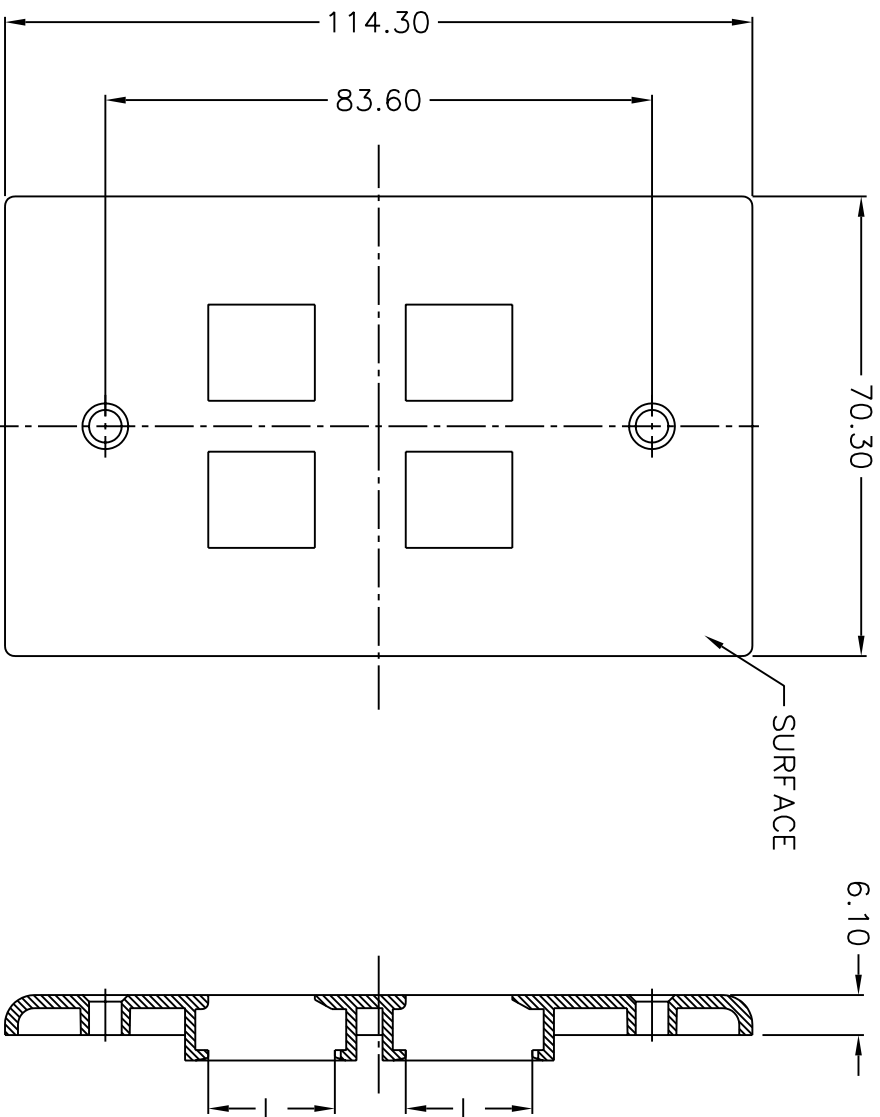
K4 6 x 25mm SCREW X 2



Surface	L	DIM	DCE	NO
Charmille	19.20	3020BP-3		
	20.05	3020BP-L3		
Burnish	19.20	3020BAP-3		
	20.05	3020BAP-L3		

COMMON TOLERANCE		SHEET 1 OF 1		ALL COPY RIGHTS RESERVED	
CLASS	A	B	SIZE	A4	DCE DAN-CHIEF ENTERPRISE CO.,LTD.
DIMENSION	L<=3 ±0.07 ±0.1		UNIT:	mm	TITLE
	3<L<=6 ±0.05 ±0.1		SCALE:	4 : 5	SEE TABLE
	6<L<=16 ±0.1 ±0.15		DATE:	2002.07.15	DRAWING NO. B-129-4
	16<L<=30 ±0.1 ±0.2		DESIGN		DRAWN
	30<L<=120 ±0.15 ±0.3		CHECKED		
	120<L<=315 ±0.2 ±0.5				


REVISIONS			
ZONE/REV	DESCRIPTION	DATE	APPROVED



MATERIALS: ABS UL94V-0

COLOR: WHITE,IVORY.....

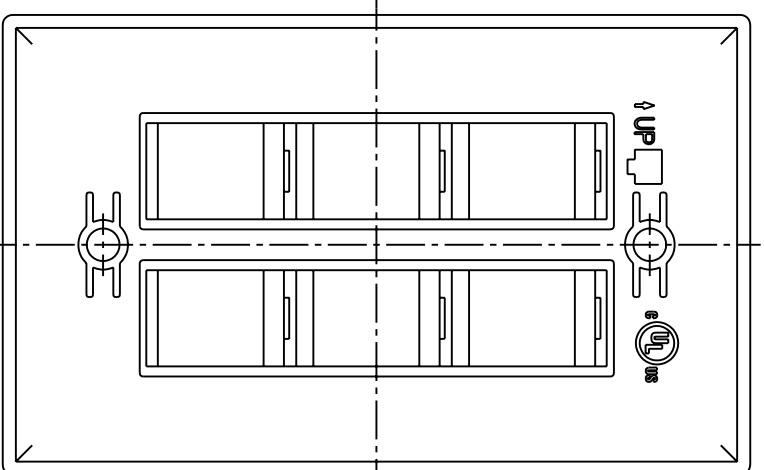
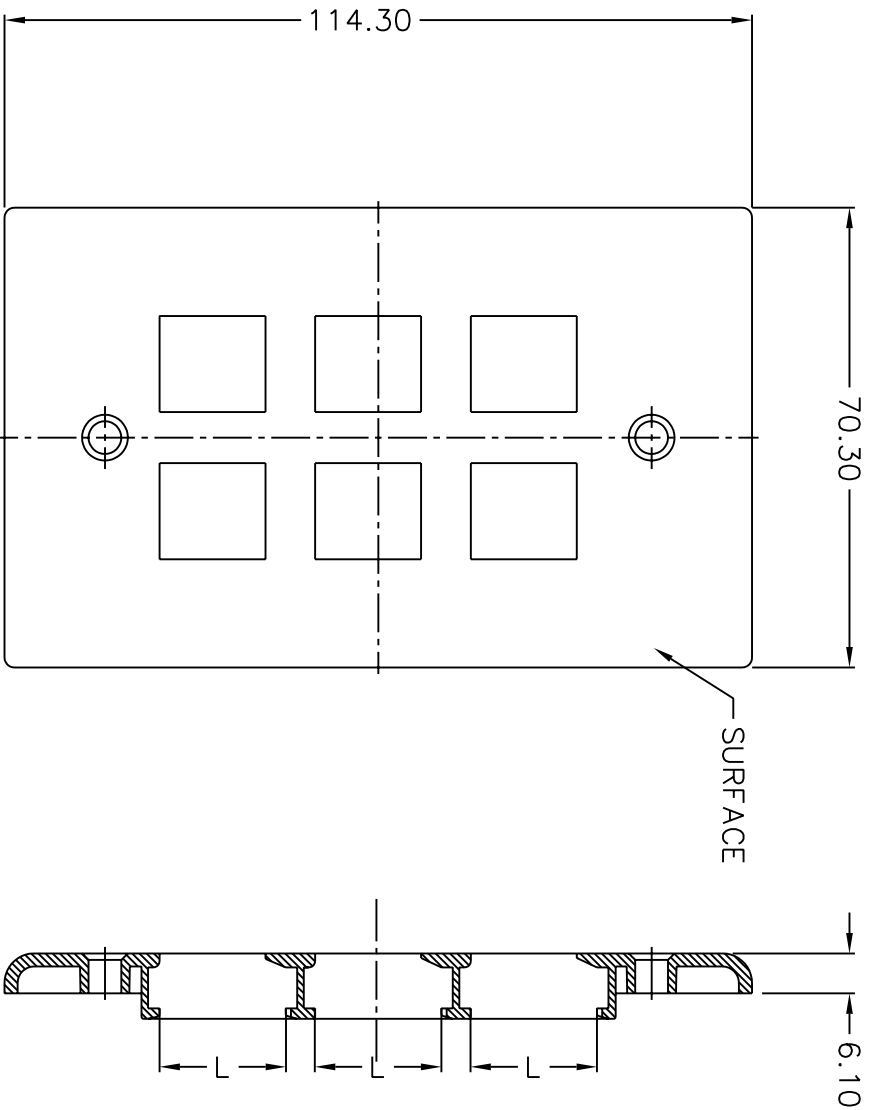
ENCLOSURE:

K4 6 x 25mm SCREW X 2 

Surface	L	DIM	DCE	NO
Charmille	19.20		3020BP-4	
Burnish	20.05		3020BP-L4	
	19.20		3020BAP-4	
	20.05		3020BAP-L4	

COMMON TOLERANCE		SHEET 1 OF 1		ALL COPY RIGHTS RESERVED	
CLASS	A	B	SIZE	A4	DCE DAN-CHIEF ENTERPRISE CO.,LTD.
DIMENSION	L ≤ 3 ±0.07 ±0.1		UNIT:	mm	TITLE
	3 < L ≤ 6 ±0.05 ±0.1		SCALE:	4 : 5	SEE TABLE
	6 < L ≤ 16 ±0.1 ±0.15		DATE:	2002.07.15	DRAWING NO. B-129-3
	16 < L ≤ 30 ±0.1 ±0.2		DESIGN		DRAWN
	30 < L ≤ 120 ±0.15 ±0.3		CHECKED		
	120 < L ≤ 315 ±0.2 ±0.5				

REVISIONS			
ZONE/REV	DESCRIPTION	DATE	APPROVED



MATERIALS: ABS UL94V-0

COLOR: WHITE,IVORY.....

ENCLOSURE:

K4 6 x 25mm SCREW X 2



Surface	L	DIM	DCE	NO
Charmille	19.20		3020BP-6	
Burnish	20.05		3020BP-16	
	19.20		3020BAP-6	
	20.05		3020BAP-16	

COMMON TOLERANCE		SHEET 1 OF 1		ALL COPY RIGHTS RESERVED	
CLASS	A	B	SIZE	A4	DCE DAN-CHIEF ENTERPRISE CO.,LTD.
L <= 3	±0.07	±0.1	UNIT:	mm	TITLE
3 < L <= 6	±0.05	±0.1	SCALE:	4 : 5	SEE TABLE
6 < L <= 16	±0.1	±0.15	DATE:	2002.07.15	DRAWING NO. B-129-5
16 < L <= 30	±0.1	±0.2	DESIGN		DRAWN
30 < L <= 120	±0.15	±0.3	CHECKED		
120 < L <= 315	±0.2	±0.5			