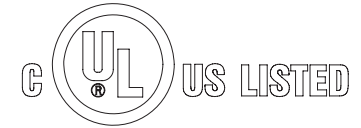


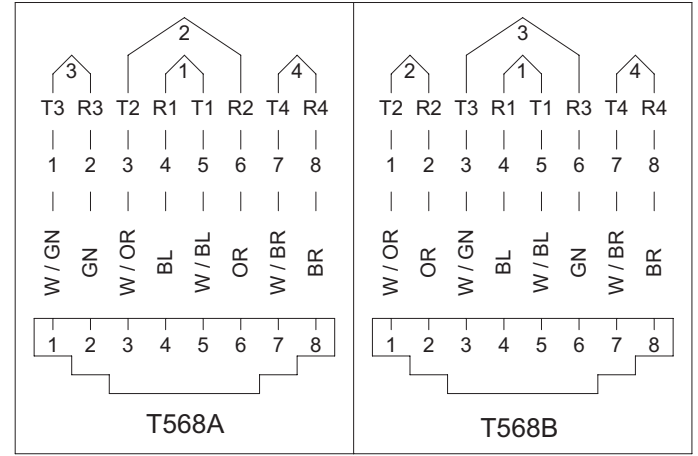
Cat 5e  
UL CERTIFIED



ACCORDING TO TIA/EIA-568-B-2  
REQUIREMENTS

## Physical Specification:

Housing:ABS high-impact UL94V-0 thermoplastic  
 Contact holder:Nylon high-impact UL94V-0 thermoplastic  
 Spring wire:Phosphor Bronze with 50μ" gold over nickel undercoat on contact area, 120μ" tin over nickel undercoat on solder area  
 IDC housing:Polycarbonate high-impact UL94V-0 thermoplastic  
 IDC contact:Phosphor Bronze with 200μ" tin over 100μ" nickel undercoat  
 Insertion Life:750 mating cycles with FCC compliant RJ-45 plug  
 Contact force:100 grams MIN. with FCC compliant RJ-45 plug  
 Plug retention force:11 lbf min.  
 Durability:200 termination cycles  
 Contact compatibility:Accommodates 22 to 26AWG solid / 24AWG stranded  
 Operating Temperature Range:-10°C to 60°C  
 Storage Temperature Range:-40 °C~68 °C  
 Humidity:10%~90%RH



## Electrical:

Insulation resistance:500MOhm  
 Dielectric withstanding voltage:1000V  
 DC current rating:1.5Amps  
 DC resistance:0.1Ohm  
 Contact resistance:20mOhm

TOLERANCE					ANGLE
~20	~50	~150	150~		
±0.20	±0.40	±0.50	±1.50	±2°	

Scale	1:1	ALL COPY RIGHTS RESERVED	
3rd Angle Projection		DAN-CHIEF ENTERPRISE CO.,LTD.	
Unit	mm	Title	
Material		00011	
Color		Drawn by	Checked by
Date	2006/1/4		