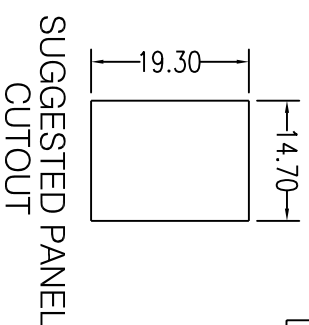
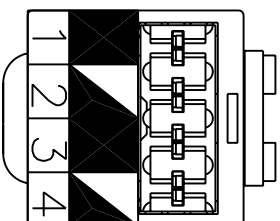
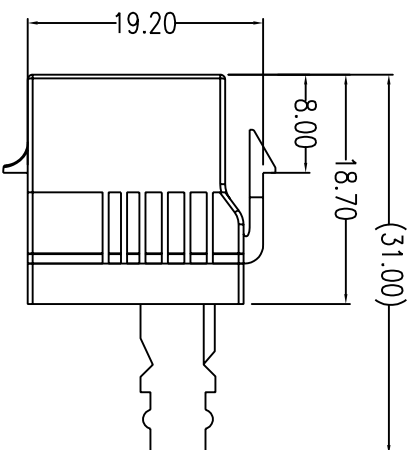
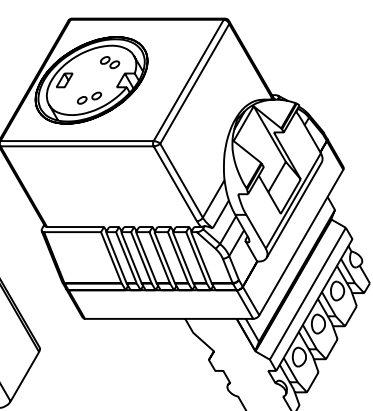
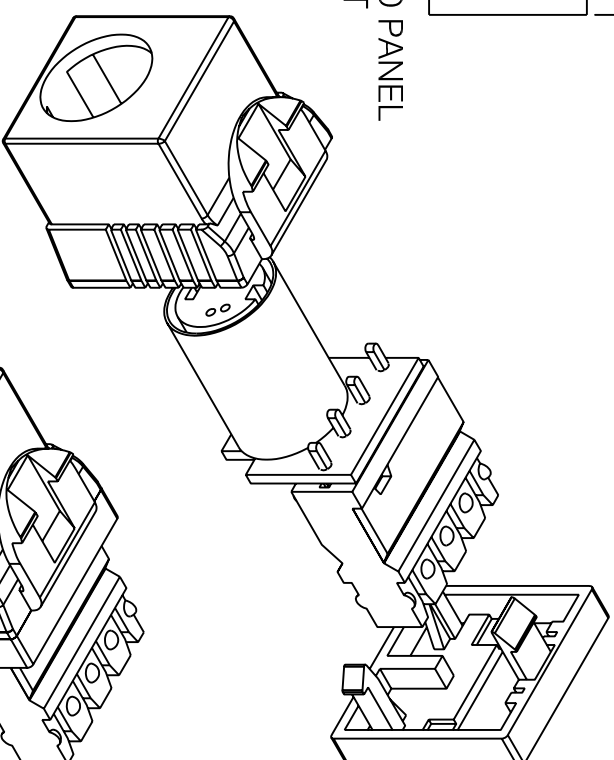


BL, BLW OR ORW



REVISIONS				
ZONE	REV	DESCRIPTION	DATE	APPROVED
	A			
	A			



MATERIAL

- Housing: PC, UL 94V-0
- IDC plastic: PC, UL 94V-0
- IDC contact: Phosphor Bronze with 200u" Tin over 100u" Nickel undercoat
- Idc block: 200 termination cycles
- DIN plastic: PBT, UL 94V-0
- DIN contact: copper alloy
- DIN shell: copper alloy
- DIN contact plating: selective gold over nickel plated
- DIN shell plating: nickel over copper plated
- DIN CYCLES: 1500 cycles min.
- Temperature: -40C° ~ 68°C

DIN ELECTRICAL CHARACTERISTICS

- Current rating: 1 Amps
- Insulation resistance: 1000 MEGOHM MIN. AT 500V
- Contact resistance: 25 mOhm
- Dielectric withstanding voltage: 1000 V AT 1 MINUTE

ENCLOSURE:
1100C-4CAP X 1 PCS

COMMON TOLERANCE		SHEET OF		ALL COPY RIGHTS RESERVED	
CLASS	A	B	SIZE	A4	DCE DAN-CHIEF ENTERPRISE CO., LTD.
DIMENSION			DIA	mm	TITLE
L <= 3	±0.05	±0.1			3013A-MD4-XX
3 < L <= 6	±0.05	±0.1	SCALE	3:2	DRAWING NO.
6 < L <= 16	±0.1	±0.15	DATE	2003.10.27	K-106
16 < L <= 30	±0.1	±0.2	DESIGN		CHECKED
30 < L <= 120	±0.15	±0.3			
120 < L <= 315	±0.2	±0.5			