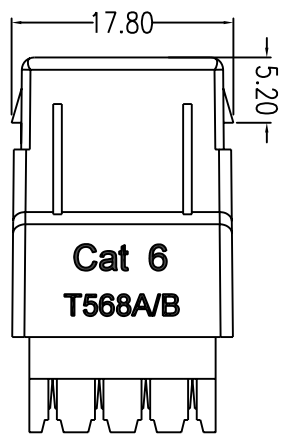
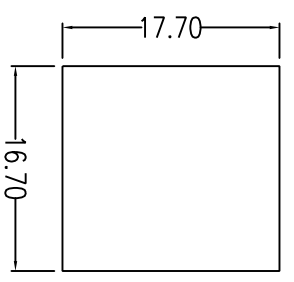
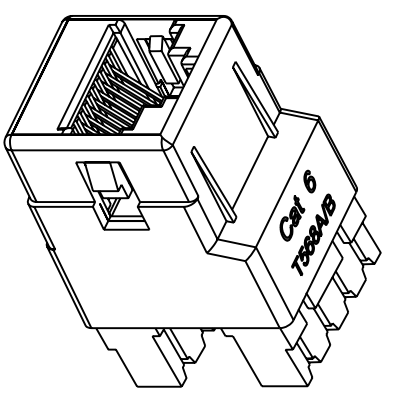
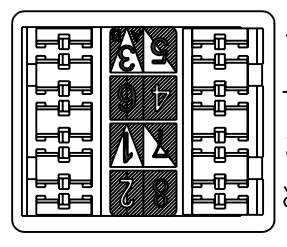
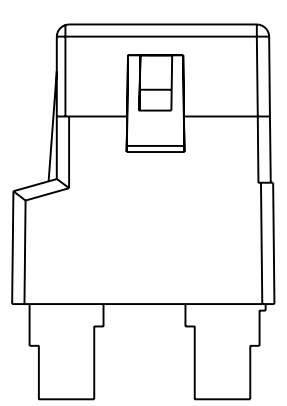
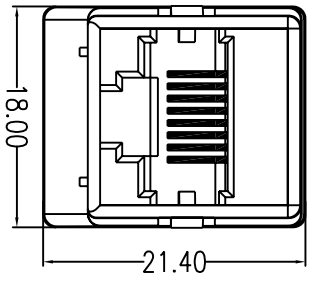
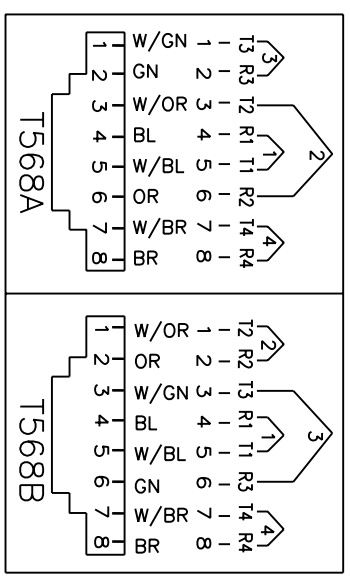
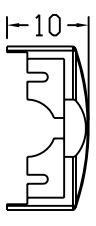
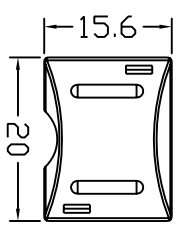


REVISIONS				
ZONE	REV	DESCRIPTION	DATE	APPROVED
	1			
	2			
	3			



SUGGESTED PANEL CUTOUT



Cat 6  
UL CERTIFIED  
UL LISTED

ACCORDING TO TIA/EIA-568-B-2-1  
REQUIREMENTS  
FILE NO. E145249

**MATERIAL**

- Housing: ABS, UL 94V-0
- IDC plastic: PC, UL 94V-0
- IDC contact: Phosphor Bronze with 200u
- " Tin over 100u" Nickel undercoat
- Spring Wire: Phosphor Bronze with 50u
- " Gold over 100u" Nickel undercoat
- Temperature: -40°C ~ 70°C
- Humidity: 10% ~ 90% RH
- Modular jack: 750 mating cycles
- Idc block: 200 termination cycles

**ELECTRICAL**

- Current rating: 1.5 Amps
- Insulation resistance: 500 MOhm
- Contact resistance: 20 mOhm
- DC resistance: 0.1 Ohm
- Dielectric withstanding voltage: 1000 V

COMMON TOLERANCE		SHEET OF		ALL COPY RIGHTS RESERVED	
CLASS	A	B	SIZE	A4	DCE DAN-CHIEF ENTERPRISE CO., LTD.
DIMENSION	±0.05	±0.1	DIA	mm	TITLE
L <= 3	±0.05	±0.1	SCALE	3:2	3013A-FT8-C6ABL
3 < L <= 6	±0.05	±0.1	DATE	2004.05.07	DRAWING NO. K-115
6 < L <= 16	±0.1	±0.15	DESIGN		DRAWN
16 < L <= 30	±0.1	±0.2			CHECKED
30 < L <= 120	±0.15	±0.3			
120 < L <= 315	±0.2	±0.5			