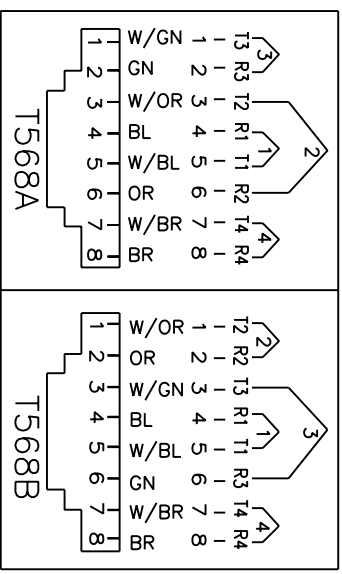
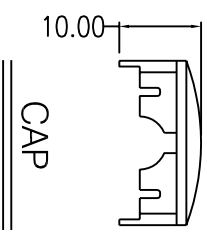
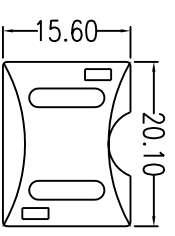
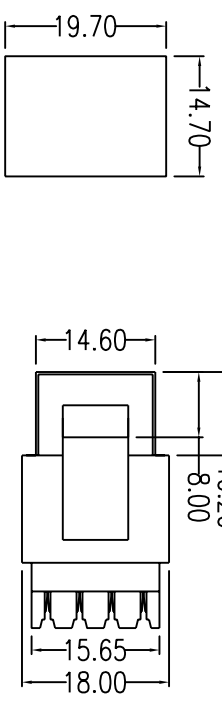
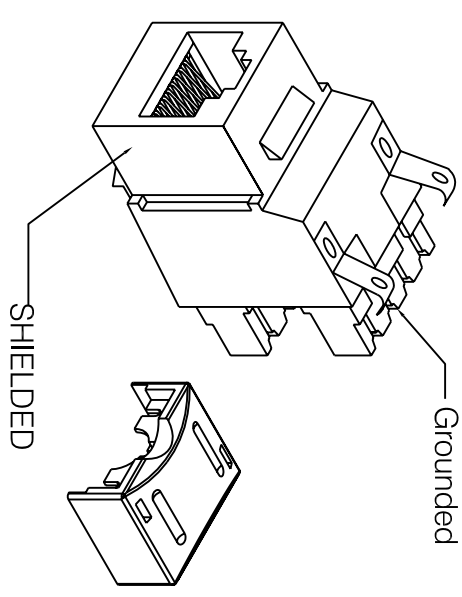
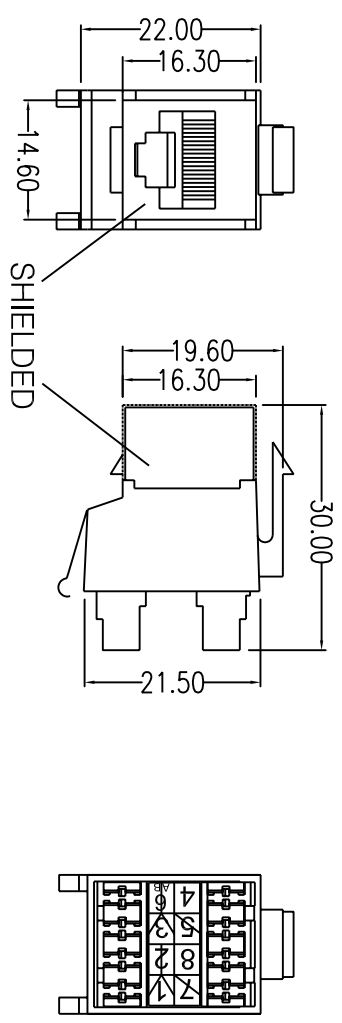


REVISIONS				
ZONE	REV	DESCRIPTION	DATE	APPROVED
	A	modified housing	05.02.23	



Cat 5e  
UL CERTIFIED  
ACCORDING TO TIA/EIA-568-B-2  
REQUIREMENTS  
FILE NO. E160607

**SUGGESTED PANEL CUTOUT**

**MATERIAL**

- Housing: ABS, UL 94V-0
- IDC plastic: PC, UL 94V-0
- IDC contact: Phosphor Bronze with 200u" Tin over 100u" Nickel undercoat
- Spring Wire: Phosphor Bronze with 50u" Gold over 100u" Nickel undercoat
- Temperature: -40°C ~ 68°C
- Humidity: 10% ~ 90% RH
- Modular jack: 750 mating cycles
- Idc block: 200 termination cycles
- Shield: Bronze over Nickle

**ELECTRICAL**

- Current rating: 1.5 Amps
- Insulation resistance: 500 MOhm
- Contact resistance: 20 mOhm
- DC resistance: 0.1 Ohm
- Dielectric withstanding voltage: 1000 V

COMMON TOLERANCE		SHEET OF		ALL COPY RIGHTS RESERVED	
CLASS	A	B	SIZE	A4	DCE DAN-CHIEF ENTERPRISE CO., LTD.
DIMENSION	±0.05	±0.1	DIA	mm	TITLE
L <= 3	±0.05	±0.1	SCALE	1:1	3013A-F8S-C5eABL
3 < L <= 6	±0.05	±0.1	DATE	2005.02.23	DRAWING NO. K-072-8
6 < L <= 16	±0.1	±0.15	DESIGN		DRAWN
16 < L <= 30	±0.1	±0.2	CHECKED		
30 < L <= 120	±0.15	±0.3			
120 < L <= 315	±0.2	±1			